

Smart link Modem/Intersil 802.11 Combo Mini PCI Reference Board

P02: MINI_PCI & ISL3874

ID0B
AC_RESET#
SYNC
SDATA_OUT
BIT_CLK
SDATA_INA
ID1B
MONO_PHONE

TIP
RING

P04: MEMORY

LED1_GRNN
LED1
LED2
LED2_OUT
LED3
GRESET
SCLK
SDATA
MA[17..0]
MD[15..0]
MEM_CTRL[5..0]

LED1_GRNN
LED1
LED2
LED2_OUT
LED3
GRESET
SCLK
SDATA
MA[17..0]
MD[15..0]
MEM_CTRL[5..0]

P05: HFA3783

IF_DET
CAL_EN
RADIO_PE
TX_IF_AGC
RX_IF_AGC
LE_IF
44MHZ_REF
RXI+
RXI-
RXQ+
RXQ-
TXI+
TXI-
VREF
TXQ+
TXQ-
SCLK_RF_IF
SD_RF_IF
PE1
PE2

IF_DET
CAL_EN
RADIO_PE
TX_IF_AGC
RX_IF_AGC
LE_IF
44MHZ_REF
RXI+
RXI-
RXQ+
RXQ-
TXI+
TXI-
VREF
TXQ+
TXQ-
SCLK_RF_IF
SD_RF_IF
PE1
PE2

P06: ISL3685 & ISL3984

RX_RF_AGC
LE_RF
PA_PE
TX_DET
T/R_SW#
ANTSEL
ANTSEL#

PE2
PE1
SD_RF_IF
SCLK_RF_IF
44MHZ_CW
IF+
IF-

RX_RF_AGC
LE_RF
PA_PE
TX_DET
T/R_SW#
ANTSEL
ANTSEL#

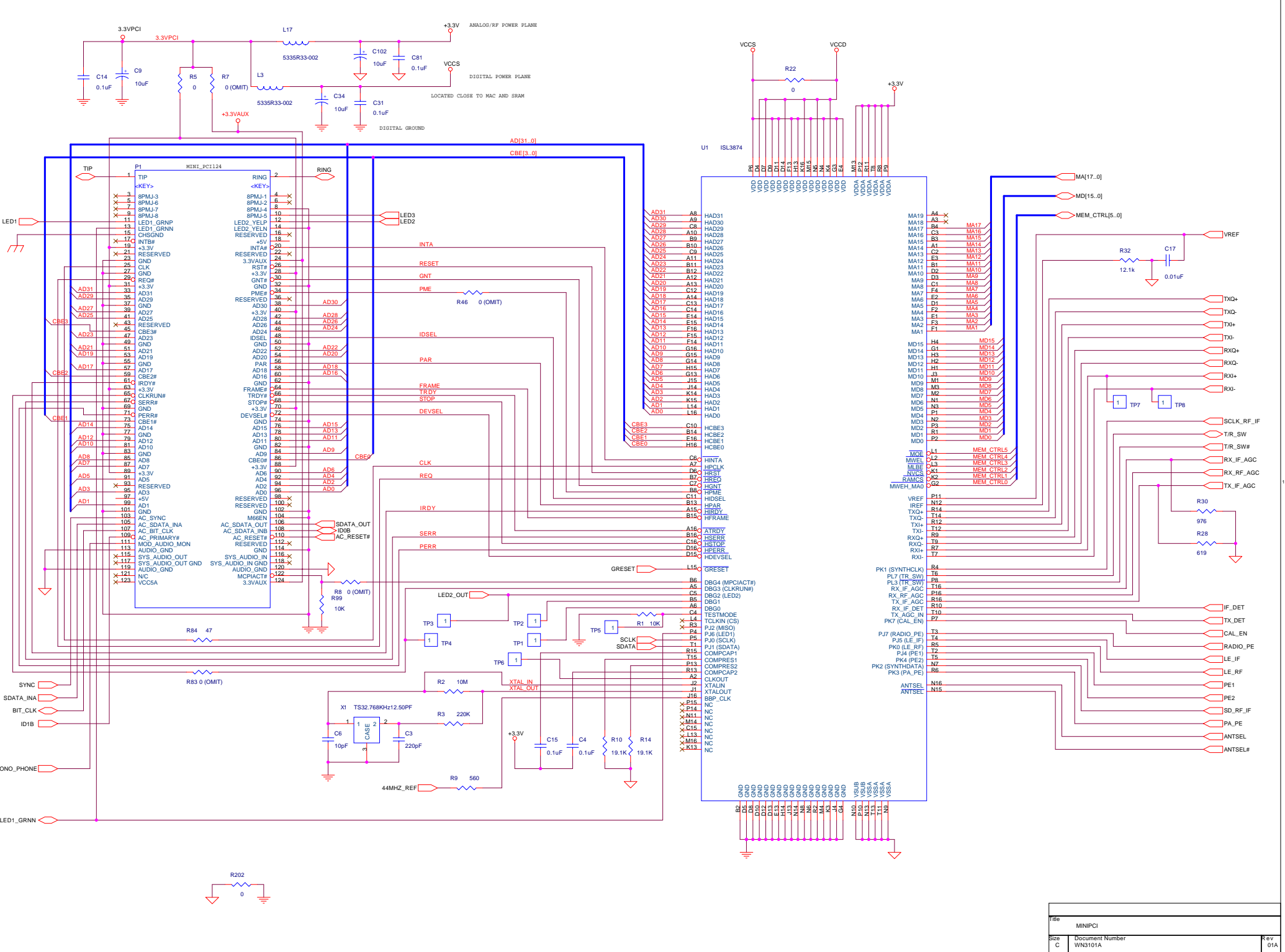
PE2
PE1
SD_RF_IF
SCLK_RF_IF
44MHZ_CW
IF+
IF-

P06: ISL3685 & ISL3984

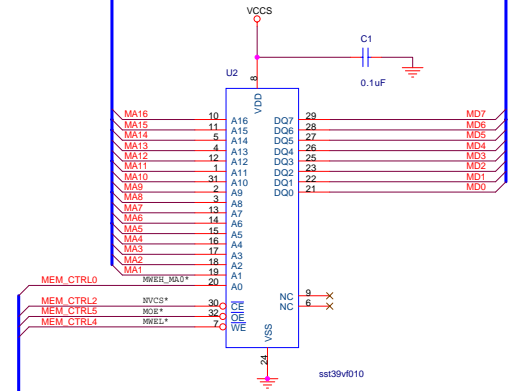
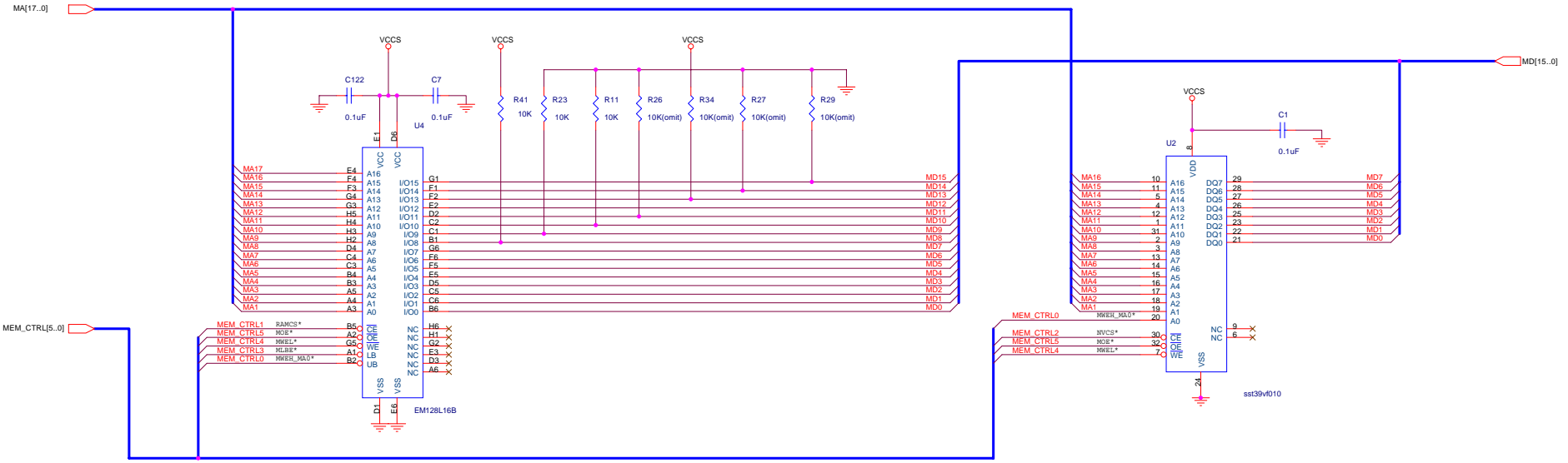
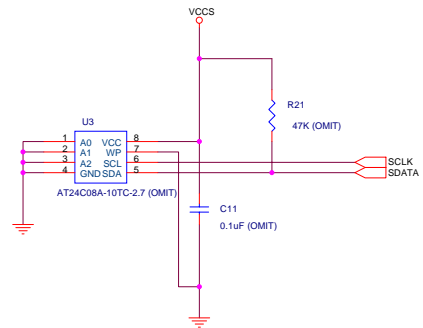
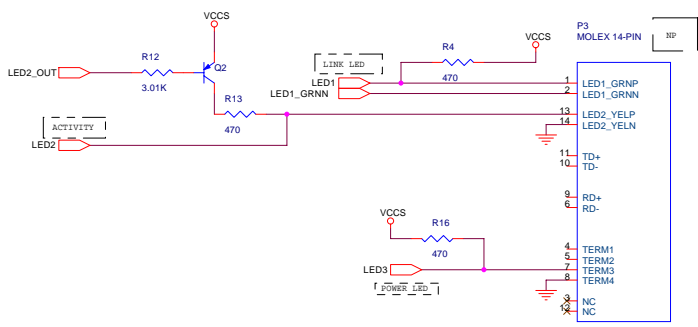
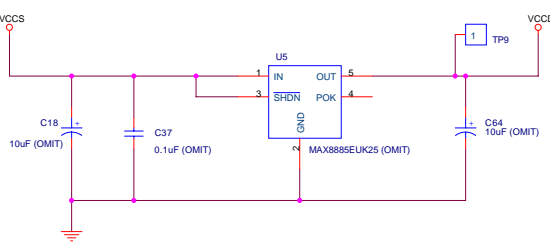
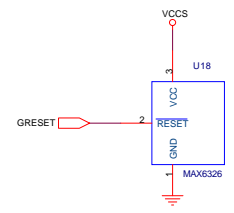
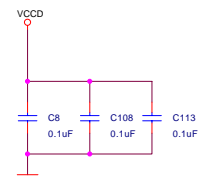
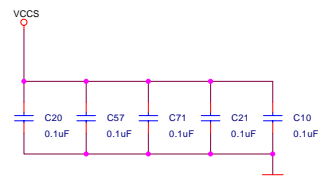
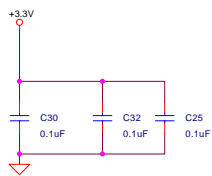
Revision History

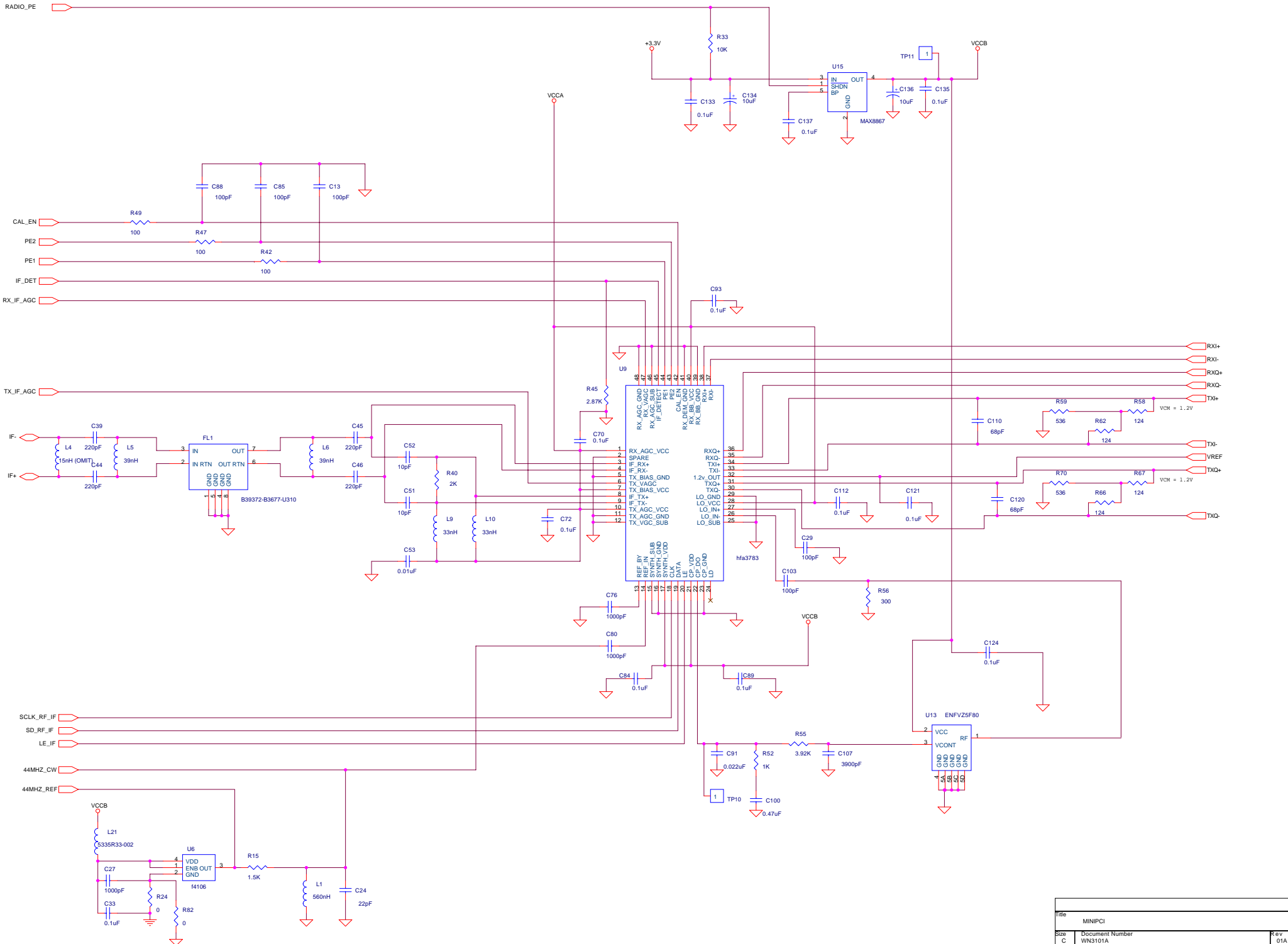
REV	Description	Date
0A	Initial Release	2/1/02
0B	ADD MCDR	2/28/02
01	Release	3/1/02

File			MINIPCI		
Size	Document Number				Rev
C	WN3101A				01A
Date	Friday, December 06, 2002	Sheet	1	of	6

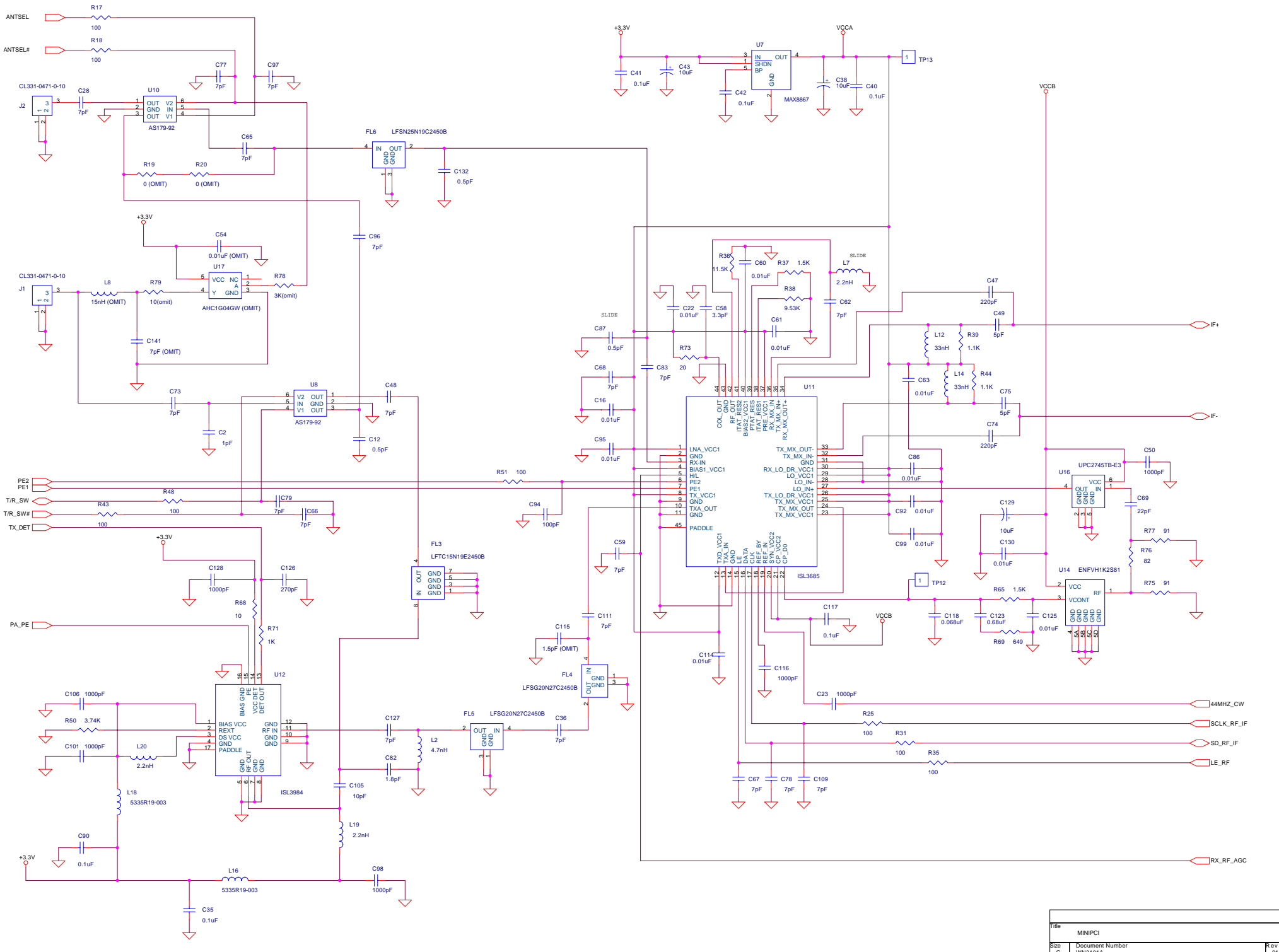


Title			MINIPCI		
Size	Document Number			Rev	01A
C	WN3101A				
Date:	Friday, December 06, 2002	Sheet	2	of	6





Title	MINIPCI		
Size	C	Document Number	WN3101A
Date	Friday, December 08, 2002	Sheet	5 of 6
		Rev	01A



Title			MINIPCI
Size	Document Number		Rev
C	WN3101A		01A
Date:	Friday, December 06, 2002	Sheet	6 of 6