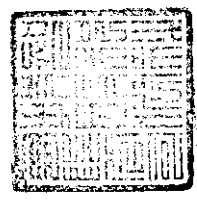
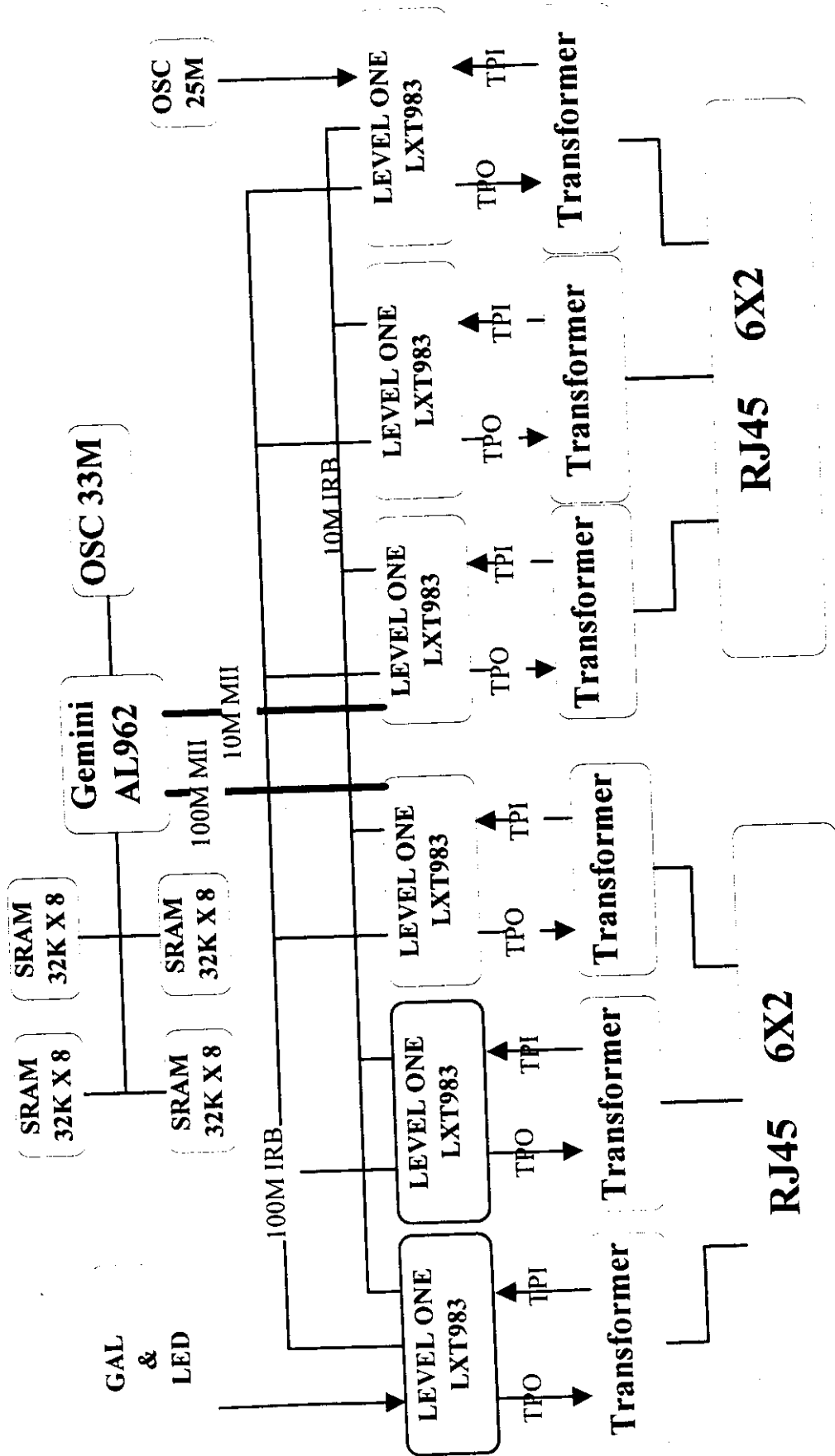


**EXHIBIT 6**  
**BLOCK & SCHEMATIC DIAGRAM OF EUT**

# Nike II Block Diagram



FCC ID = HED 3C16593A