

安規貼紙備註:

1.印刷顏色:黑色

2.製造國家(MFG Country):

Decide by import and export country
for example:

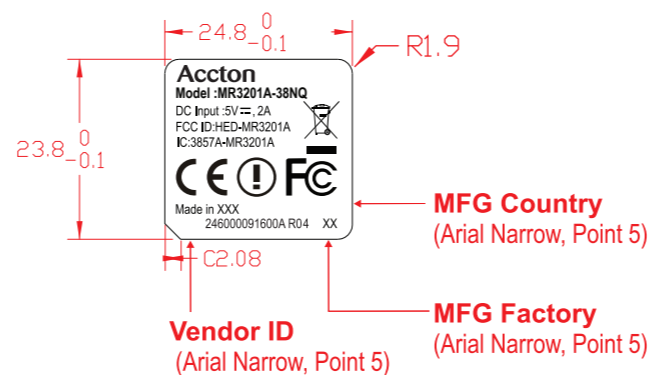
- 1. MADE IN TAIWAN
- 2. MADE IN CHINA

製造工廠代號(MFG Factory): (UL要求標示)

- 1. 昊陽 / Joytech (深圳 / ShenZhen)-----> AC
- 2. 仁寶 / Compal (昆山 / KunShan)-----> CI
- 3. 廣智 / SVA Accton (上海 / Shanghai)-----> GZ
- 4. 智邦 / Accton (台灣 / Taiwan)-----> None

印刷廠商代號(Vender ID): (CSA要求標示)

Decide by Vendor



Modification	Card Paper / Top lineboard				Corrugate list			Die Cut Tolerance +/- 0.2 mm					PE Bag			Label list		Others		Accton TECHNOLOGY CORP.								
	Paper (gsm)	CCNB	SBS	Double SBS	Flute (A Degree)	Top lineboard	Single wall/ Double wall GSM g/m	DIM.	GRADE	0	1	2	3	4	5	No-Static	Anti-Static	Electronic	Material		Thickness	Adhesive	Material Spec:					
1	250				B	E	230 X 100 X 230	0	16	0.05	0.1	0.15	0.2	0.2	0.5				Art paper	0.025mm / 25# / 1mil	Acrylic	T=0.022mm						
2	280						White 220 X 100 X 200	16	63	0.05	0.15	0.2	0.3	0.3	0.8	Bubble	Single layer	Double layer	Matelized	0.050mm / 50# / 2mil	Acrylic UL approved	T=0.022mm						
3	300				A		Yellow 230 X 180 X 230	63	250	0.05	0.2	0.25	0.4	0.5	1.2	Thickness/mm	0.04	0.06	White Polyester	0.076mm / 75# / 3mil	"R" Adhesive	T=0.022mm						
4	310						Yellow 230 X 100 X 230	250	500	0.1	0.25	0.3	0.6	0.8	1.8	ESD Value/ohm	9-11	< 5	(PP)Pepa paper	0.178mm / 7mil	Water Adhesive	T=0.022mm						
5	340				AB		230X100X100X100X230	500	1000	0.3	0.3	0.8	1.2	3.0	EPE Foam	White	Pink	PC 8B35	0.254mm / 10mil	3M 467	T=0.05mm / 2mil							
6	350							Printing Tolerance +/- mm					Density (kg / m³)	33 +/- 2	Other	PC 8010	0.381mm / 15mil	3M 468	T=0.127mm / 5mil	Approve								
7		Coated	UV	Mar Resistant Varnish	Bursting Strength (Kgf / cm²)			Cardboard Die Cut Legend					Laminated	Non - laminated		Pulp Tray	Weight/gs= +/-5%	Other	0.500mm / 20mil	3M 7945	T=0.127mm / 5mil	Check						
8		PP Film	LF(T=0.15mm)	DF(T=0.18mm)	8	14	16	18	Other						Thickness/mm	1.5	2.0	Other	PP Film	LF (T = 0.045mm)	DF (T = 0.035mm)	Design	Lin	042208'	MM	(IN)	Outside View	Sheet 1 of 1