



37" HD Soundbar with Bluetooth Wireless and Subwoofer

User's Guide for Model ITB396B

For the most of this User's Guide, go to www.iLiveElectronics.com

Safety Instructions & Warnings



WARNING: To reduce the risk of electric shock, do not remove cover (or back). No user-serviceable parts inside. Refer servicing to qualified service personnel.



The exclamation point within an equilateral triangle is intended to alert the user to the presence of important operating and maintenance (servicing) instructions in the literature accompanying the appliance.



The lightning flash with arrowhead symbol, within an equilateral triangle, is intended to alert the user to the presence of uninsulated "dangerous voltage" within the product's enclosure that may be of sufficient magnitude to constitute a risk of electric shock to persons.



This symbol indicates that this product incorporates double insulation between hazardous mains voltage and user accessible parts.

WARNING: DO NOT INGEST BATTERY, CHEMICAL BURN HAZARD.

Important Safety Instructions

- Read these Instructions.
- Keep these Instructions.
- Heed all Warnings.
- Follow all instructions.
- Do not use this apparatus near water.
- Clean only with a dry cloth.
- Do not block any ventilation openings. Install in accordance with the manufacturer's instructions.
- Do not install near any heat sources such as radiators, heat registers, stoves, or other apparatus (including amplifiers) that produce heat.
- Do not defeat the safety purpose of the polarized or grounding-type plug. A polarized plug has two blades with one wider than the other. A grounding type plug has two blades and a third grounding prong. The wide blade or the third prong are provided for your safety. When the provided plug does not fit into your outlet, consult an electrician for replacement of the obsolete outlet.
- Protect the power cord from being walked on or pinched particularly at plugs, convenience receptacles, and the point where they exit from the apparatus.
- Only use attachments/accessories specified by the manufacturer.
- Unplug this apparatus during lightning storms or when unused for long periods of time.
- Refer all servicing to qualified service personnel. Servicing is required when the apparatus has been damaged in any way, such as power-supply cord or plug is damaged, liquid has been spilled or objects have fallen into the apparatus, the apparatus has been exposed to rain or moisture, does not operate normally, or has been dropped.
- Use only with a cart, stand, tripod, bracket, or table specified by the manufacturer, or sold with the apparatus. When a cart is used, use caution when moving the cart/apparatus combination to avoid injury from tip-over.



FCC Warnings

Warning: Changes or modifications to this unit not expressly approved by the party responsible for compliance could void the user's authority to operate the equipment.

NOTE: This equipment has been tested and found to comply with the limits for a Class B digital device, pursuant to Part 15 of the FCC Rules. These limits are designed to provide reasonable protection against harmful interference in a residential installation. This equipment generates, uses, and can radiate radio frequency energy and, if not installed and used in accordance with the instructions, may cause harmful interference to radio communications. However, there is no guarantee that interference will not occur in a particular installation. If this equipment does cause harmful interference to radio or television reception, which can be determined by turning the equipment off and on, the user is encouraged to try to correct the interference by one or more of the following measures:

- Reorient or relocate the receiving antenna.
- Increase the separation between the equipment and receiver.
- Connect the equipment into an outlet on a circuit different from that to which the receiver is connected.
- Consult the dealer or an experienced radio/TV technician for help.

FCC Radiation Exposure Statement

This equipment complied with FCC radiation exposure limits set forth for an uncontrolled environment. This equipment should be installed and operated with minimum distance 20cm between the radiator & your body.

Safety Instructions & Warnings

Additional Warnings and Precautions

- CAUTION: TO PREVENT ELECTRIC SHOCK, MATCH WIDE BLADE OF PLUG TO WIDE SLOT, FULLY INSERT.
Avis: AFIN DE PRÉVENIR LES CHOCS ÉLECTRIQUES, FAITES CORRESPONDRE LA FICHE BLANCHE DE LA PRISE À LA FENTE LARGE, INSÉREZ TOTALEMENT.
- Mains plug is used as disconnect device and it should remain readily operable during intended use. In order to disconnect the apparatus from the mains completely, the mains plug should be disconnected from the mains socket outlet completely.
La prise du secteur est utilisée pour déconnecter le système. La prise du secteur ne doit pas être obstruée ou doit être facilement accessible pendant son utilisation. Pour être complètement déconnecté de l'alimentation d'entrée, la prise doit être débranchée du secteur.
- WARNING: Shock hazard - Do Not Open.
AVIS: Risque de choc électrique - ne pas ouvrir.
- Caution and marking information is located at the rear or bottom of the apparatus.
Attention et de marquage des informations est situé sur le panneau arrière ou inférieur de l'unité.
- WARNING: To reduce the risk of fire or electric shock, do not expose this apparatus to rain, moisture, dripping, or splashing.
Avis: Pour réduire le risque d'incendie ou de choc électrique, n'exposez pas cet appareil à la pluie ou l'humidité ou aux éclaboussures.
- Objects filled with liquids, such as vases, shall not be placed on the apparatus.
Objets remplis de liquides, comme des vases, ne doivent pas être placés sur l'appareil.
- CAUTION: Use of controls or adjustments or performance of procedures other than those specified may result in hazardous radiation exposure.
AVIS: L'utilisation de commande ou l'exécution de procédures autres que celles spécifiées ici peuvent aboutir à une exposition à des radiations dangereuses.
- WARNING: Changes or modifications to this unit not expressly approved by the party responsible for compliance could void the user's authority to operate the equipment.
AVIS: Des changements ou des modifications sur ce produit non expressément approuvés par la partie responsable de la conformité peut annuler le droit de l'utilisateur d'utiliser cet équipement.
- WARNING: Do not place this unit directly onto furniture surfaces with any type of soft, porous, or sensitive finish. As with any rubber compound made with oils, the feet could cause marks or staining where the feet reside. We recommend using a protective barrier such as a cloth or a piece of glass between the unit and the surface to reduce the risk of damage and/or staining.
AVIS: Ne placez pas cette unité directement sur des surfaces de meubles dont la finition serait douce, poreuse ou sensible. Car, comme tout composé caoutchouc a base d'huiles, les pieds pourraient laisser des traces ou des taches à l'endroit où ils sont posés. Nous recommandons d'utiliser une protection comme un linge ou un morceau de verre entre l'unité et la surface pour réduire le risque de dégât et/ou de tache.
- WARNING: Use of this unit near fluorescent lighting may cause interference regarding use of the remote. If the unit is displaying erratic behavior move away from any fluorescent lighting, as it may be the cause.
AVIS: L'utilisation de cette unité en présence de lumières flu-

orescentes peut causer des interférences lors de l'utilisation de la télécommande. En cas de dysfonctionnement, éteignez les sources de lumière fluorescentes, car celles-ci pourraient en être la cause.

- CAUTION: Danger of explosion if battery is incorrectly replaced. Replace only with the same or equivalent type.
AVIS: Un danger d'explosion est présent lorsque les piles sont remplacées de manière incorrecte. Remplacez seulement les piles par des piles de type équivalent.
- Battery shall not be exposed to excessive heat such as sunshine, fire or the like.
Les piles ne doivent pas être exposées à de forte chaleur, tel qu'à la lumière du soleil, au feu ou autres choses de semblable.
- Keep new and used batteries away from children. If the battery compartment does not close securely, stop using the product and keep it away from children.
Gardez les piles neuves et d'occasion à partir des enfants. Si le compartiment de la batterie ne pas fermer correctement, cesser d'utiliser le produit et garder loin des enfants.
- If you think batteries might have been swallowed or placed inside any part of the body, seek immediate medical attention. Si vous pensez que les batteries peuvent avoir été avalé ou placé à l'intérieur d'une partie du corps, consulter immédiatement un médecin.
- Do not mix old and new batteries.
Ne pas mélanger vieilles et nouvelles batteries.
- Completely replace all old batteries with new ones.
Remplacer complètement toutes les piles par des neuves.
- Do not mix alkaline, standard (carbon-zinc), or rechargeable (ni-cad, ni-mh, etc) batteries.
Ne mélangez pas des piles alcalines, standard (carbone-zinc) ou rechargeables (Ni-Cd, Ni-MH, etc) batteries.
- Batteries should be recycled or disposed of as per state and local guidelines.
Piles doivent être recyclées ou éliminées selon les directives étatiques et locales.
- WARNING: This product may contain chemicals known to the State of California to cause birth defects, or other reproductive harm (California Prop 65). Wash hands after handling.
- This product meets and complies with all Federal regulations.

Table of Contents

Setup	5
Features & Specifications	
Power	
Remote Battery	
Includes	
Orientation	6
Rear View	
Speaker Inputs Detail	
Speaker Controls (Right Side)	
Function/Source Indicator Lights	
Remote	8
Bluetooth Wireless	9
Pairing a Bluetooth Device for the First Time	
Playing Audio Wirelessly	
Audio Inputs	10
Stereo RCA Inputs (Aux In)	
Optical Input	
Line In	
Company Information	12
Contact Information	
Warranty	
International Support	

Setup

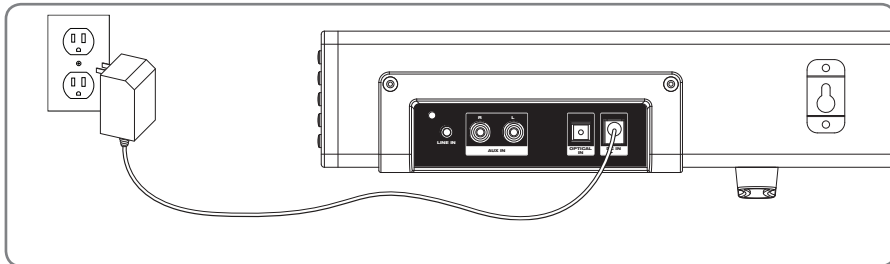
Features & Specifications

- 37" length
- Supports Bluetooth
- Wireless range: 60 ft.
- 2 channel stereo sound
- Digital volume control
- Full-function remote
- Optical digital audio input
- Line In (3.5mm audio input)
- Aux In (RCA stereo audio inputs)

Includes

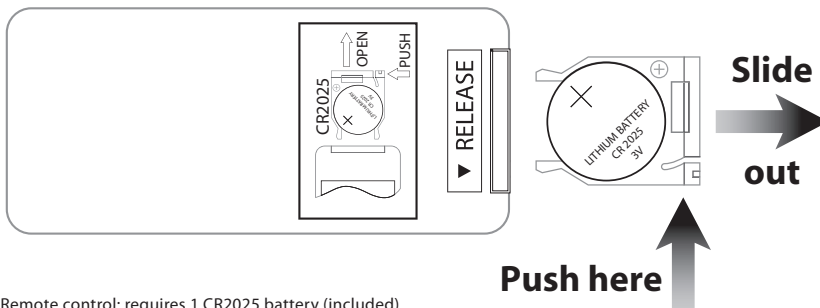
- Remote control with 1 CR2025 button cell battery
- Optical audio cable
- AC/DC power adapter
- Wall-mount hardware and instructions

Power



Plug the small end of the power cord into the DC Input on the back of the speaker, and the large plug into a standard wall outlet.

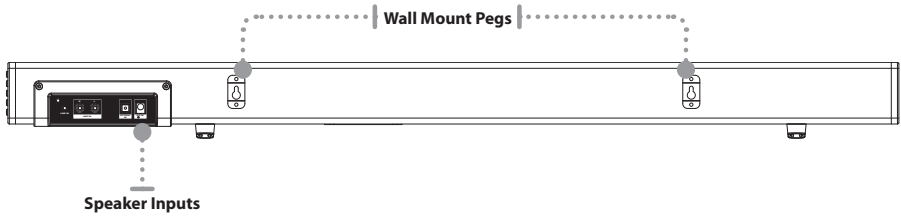
Remote Battery



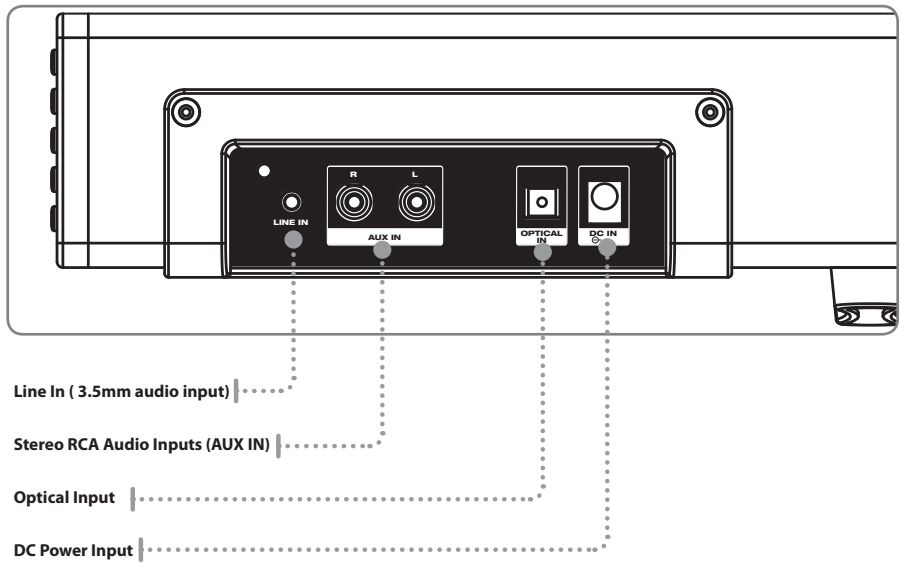
Remote control: requires 1 CR2025 battery (included).

Orientation

Rear View



Speaker Inputs Detail



Speaker Controls (Right Side)

Power

Press to power the unit on or off.

Source

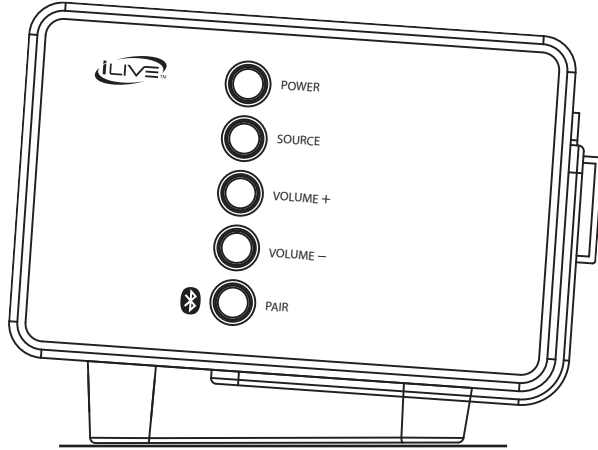
Press to switch between Optical, Line In, AUX, and Bluetooth modes.

Volume +/-

Press to adjust the volume up or down.

Pair

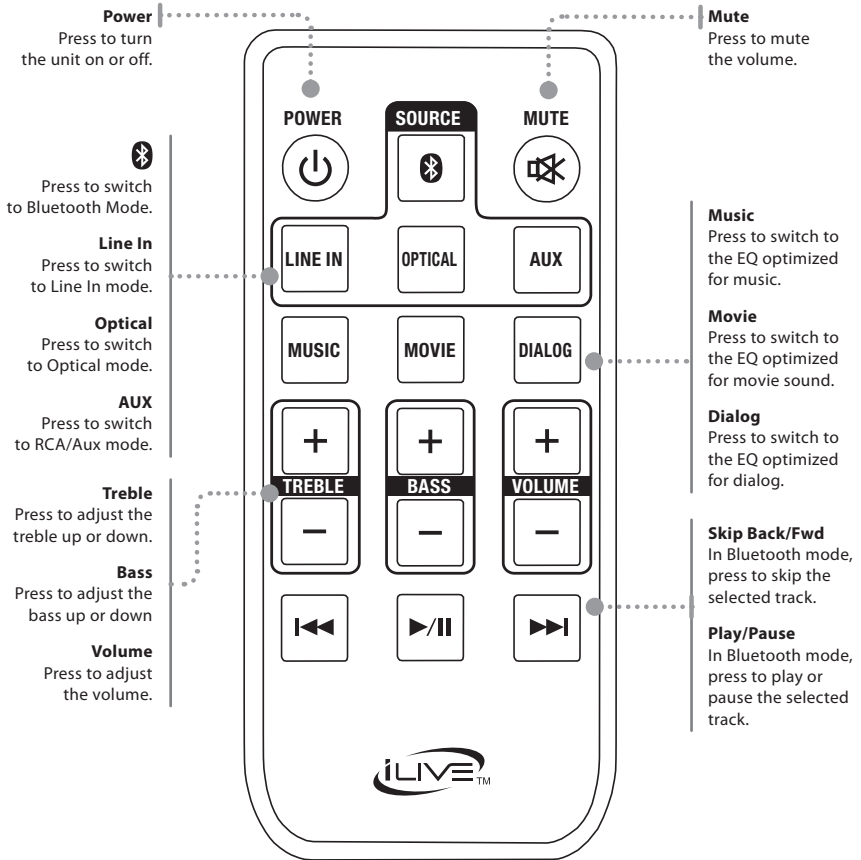
Press and hold to begin pairing to a Bluetooth device.



Function/Source Indicator Lights


STATUS	INDICATOR
Power Off	Red Light
Optical Mode	Amber Light
Aux In Mode	White Light
Line In Mode	Green Light
Bluetooth Pairing	Flashing Blue Light
Bluetooth Connected	Blue Light

Remote



Bluetooth Wireless

Pairing a Bluetooth Device for the First Time

1. Power on the unit by pressing the **Power** button.
2. Press the  button on the remote to switch to **Bluetooth Mode**, indicated by a slowly flashing blue light.
*You can also press the **Source** button on the side of the unit.*
3. Press and hold the **Pair** button on the side of the unit.
The pairing indicator will flash blue quickly. When pairing, remain within 3 feet of the unit.
4. Use the controls on your Bluetooth device to select **ITB396** in your Bluetooth settings to pair.
If your device requests a password, enter the default password **0 0 0 0**.
Refer to the user's manual for your specific device for instructions on pairing and connecting Bluetooth devices.
5. When successfully paired and connected, a beep will issue from the soundbar and the **Pairing Indicator** will display a solid blue light.
After initial pairing, the unit will stay paired unless unpaired manually by the user or erased due to a reset of the device. If your device should become unpaired or you find it is unable to connect, repeat the above steps.

Playing Audio Wirelessly

1. After pairing to a Bluetooth device, use the controls on the connected Bluetooth Device to select a track.
2. Play, pause or skip a selected track using the controls on the connected Bluetooth Device or the soundbar's remote.
3. Audio played through the connected Bluetooth device will now be heard through the speakers.

Audio Inputs

Stereo RCA Inputs (Aux In)

When connecting two products using an RCA cable (not included), match the colored ports to their corresponding plugs.

1. Connect the RCA cables (not included) to the RCA Stereo Inputs located on the back of the unit, and to the audio outputs on a television or other audio source.
2. Press the **Power** button to power on the unit.
3. Press the **Source** button to select **Aux In**, indicated by a white light.
4. Audio played through the television will now be heard through the speakers.

Optical Input

You will need an audio source with an Optical Audio Output and a Digital Optical Audio Cable (included).

1. Connect the **Digital Optical Audio Cable** to the optical output on the audio source and to the **Optical Input** on the speaker bar.
2. Press the **Power** button to power the unit on.
3. Press the **Source** button repeatedly to switch to **SPDIF Mode**, indicated by an amber light.
4. Using the native controls on your connected device, make sure the audio settings are set to **PCM or Optical Audio** and are turned On.
5. Audio from the connected audio source will now be played through the speakers.

Important tips for optical audio:

Use the correct toslink cable and make sure that it is firmly seated in both source and sound bar sockets.

Optical output is activated on the source (they should see a red light emitting from the toslink socket). It may be labeled SPDIF in the setting menu of the source.

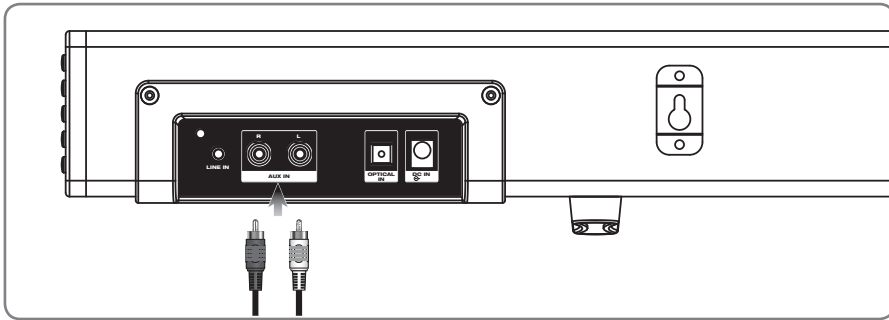
The optical output is set to output PCM and not Dolby Digital.

Line In

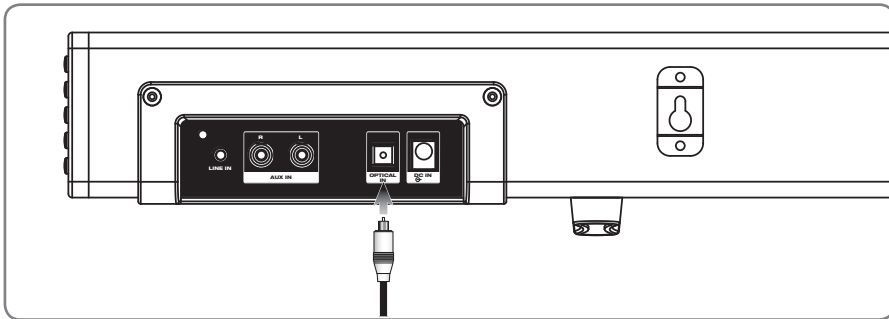
3.5 mm audio input cable not included.

1. Plug one end of a 3.5 mm audio input cable into the **Line In** on the unit and plug the other end of the cable into the audio output/headphone output on an MP3 Player or other audio source.
2. Press the **Power** button to power the unit on.
3. Press the **Source** button to select **Line In**, indicated by a green light.
4. Audio played through the connected device will now be heard through the speakers. Use the controls on the connected device to play, pause, or skip selected tracks.

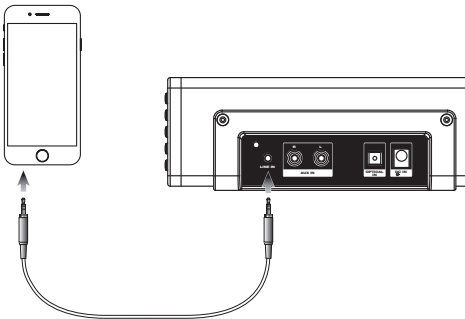
Stereo RCA Inputs (Aux In) - Detail



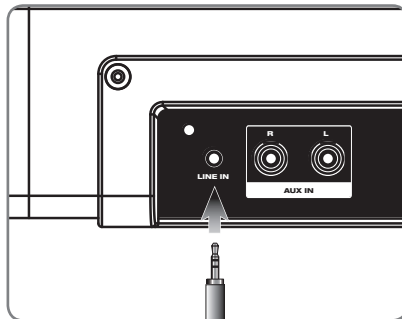
Optical Input - Detail



Line In



Line In - Detail



Company Information

Contact Information

Website: www.iLiveElectronics.com

Email Support: prodinfo@dpiinc.com

Email Parts: partsinfo@dpiinc.com

Phone Support: 1-888-999-4215

Warranty

For Warranty Information and the most of this User's Guide, go to:
www.iLiveElectronics.com

International Support

To download this User's Guide in English, Spanish, and French, or to get answers to frequently asked questions, visit the support section at: www.iLiveElectronics.com

Para descargar este Manual del Usuario en inglés, español y francés, o para obtener respuestas a preguntas frecuentes, visite la sección de apoyo en: www.iLiveElectronics.com

Pour télécharger ce guide de l'utilisateur en anglais, espagnol ou français, ou pour obtenir des réponses à des questions fréquemment posées, consultez la rubrique d'assistance sur: www.iLiveElectronics.com



***Protect for Today
Sustain for Tomorrow***

Copyright © 2016 Digital Products International (DPI, Inc.) All other trademarks appearing herein are the property of their respective owners. Specifications are subject to change without notice.