

CRAIG


Bluetooth Sound Bar with Built-In Subwoofer



CHT912



INSTRUCTION MANUAL

IMPORTANT SAFETY INSTRUCTIONS

	CAUTION RISK OF ELECTRIC SHOCK DO NOT OPEN	
CAUTION: TO REDUCE THE RISK OF ELECTRIC SHOCK, DO NOT REMOVE COVER (OR BACK). NO USER-SERVICEABLE PARTS INSIDE. REFER SERVICING TO QUALIFIED SERVICE PERSONNEL.		

	The lightning flash with arrowhead symbol, within an equilateral triangle, is intended to alert user to the presence of uninsulated "dangerous voltage" within the product's enclosure, that may be of sufficient magnitude to constitute a risk of electric.
	The exclamation point within an equilateral triangle is intended to alert the user to the presence of important operating and maintenance (servicing) instruction in the literature accompanying the appliance.

WARNING

USE UNDER SUPERVISION OF AN ADULT DUE TO LONG CORD

This unit has a long AC cord or other long cord that can easily be tripped on or pulled on, causing injury. Please make sure it is arranged so it will not drape over a tabletop, etc. Where it can be pulled on by children or tripped over accidentally.

FCC Warnings

WARNING: Changes or modifications to this unit not expressly approved by the party responsible for compliance could void the user's authority to operate the equipment.

NOTE: This equipment has been tested and found to comply with the limits for a Class B digital device, pursuant to Part 15 of the FCC Rules. These limits are designed to provide reasonable protection against harmful interference in a residential installation. This equipment generates, uses, and can radiate radio frequency energy and, if not installed and used in accordance with the instructions, may cause harmful interference to radio communications. However, there is no guarantee that interference will not occur in a particular installation. If this equipment does cause harmful interference to radio or television reception, which can be determined by turning the equipment off and on, the user is encouraged to try to correct the interference by one or more of the following measures:

- Reorient or relocate the receiving antenna.
- Increase the separation between the equipment and receiver.
- Connect the equipment into an outlet on a circuit different from that to which the receiver is connected.
- Consult the dealer or an experienced radio/TV technician for help.

This equipment complies with FCC radiation exposure limits set forth for an uncontrolled environment. This transmitter must not be collocated or operating in conjunction with any other antenna or transmitter unless authorized to do so by the FCC.

Before using the unit, be sure to read all operating instructions carefully. Please note that these are general precautions and may not pertain to your unit. For example, this unit may not have the capability to be connected to an outdoor antenna.

1. Read these instructions

All the safety and operating instructions should be read before the product is operated.

2. Keep these instructions

The safety and operating instructions should be retained for future reference.

3. Heed all warning

All warnings on the product and in the operating instructions should be adhered to.

4. Follow all instructions

All operating and use instructions should be followed.

5. Do not use this apparatus near water

Do not use the product near water and moisture, for example: near a bathtub, washbowl, kitchen sink or laundry tub; in a wet basement; or near a swimming pool.

6. Clean only with dry cloth

Unplug this product from the wall outlet before cleaning. Do not use liquid cleaners or aerosol cleaners. Use a dry cloth for cleaning.

7. Do not block any ventilation openings. Install in accordance with the manufacturer's instructions.

Slots and openings in the cabinet and in the back or bottom are provided for ventilation, to ensure reliable operation of the product and to protect it from overheating. These openings must not be blocked or covered. The openings should never be blocked by placing the product on a bed, sofa, rug or other similar surface. This product should never be placed near or over a radiator or heat source. This product should not be placed in a built-in installation such as a bookcase or rack unless proper ventilation is provided or the manufacturer's instructions have been adhered to.

8. Do not install near any heat sources such as radiators, heat registers, stoves, or other apparatus (including amplifiers) that produce heat.

9. Do not defeat the safety purpose of the polarized or grounding-type plug. A polarized plug has two blades with one wider than the other. A grounding type plug has two blades and a third grounding prong. The wide blade or the third prong are provided for your safety. If the provided plug does not fit into your outlet, consult an electrician for replacement of the obsolete outlet.

10. Protect the power cord from being walked on or pinched particularly at plugs, convenience receptacles, and the point where they exit from the apparatus.

11. Only use attachments/accessories specified by the manufacturer.

12. Use only with the cart, stand, tripod, bracket, or table specified by the manufacturer, or sold with the apparatus. When a cart is used, use caution when moving the cart/apparatus combination to avoid injury from tip-over.



Portable Cart Warning

13. Unplug this apparatus during lightning storms or when unused for long periods of time.

14. Refer all servicing to qualified service personnel. Servicing is required when the apparatus has been damaged in any way, such as power-supply cord or plug is damaged, liquid has been spilled or objects have fallen into the apparatus, the apparatus has been exposed to rain or moisture does not operate normally, or has been dropped.

15. Power Source
The product should be operated only from the type of power source indicated on the marking label. If you are not sure of the type of power supply to your home, consult your appliance dealer or local power company. For products intended to operate from battery power, or other sources, refer to the operating instructions.

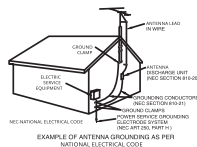
16. Power lines
An outside antenna system should not be located in the vicinity of overhead power lines or other electric light or power circuits, or where it can fall into such power lines or circuits. When installing an outside antenna system, extreme care should be taken to keep from touching such power lines or circuits as contact with them might be fatal.

17. Overloading
Do not overload wall outlets and extension cords as this can result in a risk of fire or electric shock.

18. Object and liquid entry
Never push objects of any kind into the product through as they may touch dangerous voltage points or short out parts that could result in fire or electric shock. Never spill or spray any type of liquid on the product.

19. Outdoor antenna grounding
If an outside antenna is connected to the product, be sure the antenna system is grounded so as to provide some protection against voltage surges and built up static charges.

Section 810 of the National Electrical Code, ANSI/NFPA 70, provides information with respect to proper grounding of the mast and supporting structure, grounding of the lead-in wire to an antenna discharge product, size of grounding conductors, location of antenna discharge product, connection to grounding electrodes and requirements for the grounding electrodes.



20. Service
Do not attempt to service this product yourself as opening or removing covers may expose you to dangerous voltage or other hazards. Refer all servicing to qualified service personnel.

21. Replacement parts
When replacement parts are required, be sure the service technician uses replacement parts specified by the manufacturer or those that have the same characteristics as the original part. Unauthorized substitutions may result in fire or electric shock or other hazards.

22. Safety check
Upon completion of any service or repairs to this product ask the service technician to perform safety checks to determine that the product is in proper operating condition.

23. Wall or ceiling mounting
The product should be mounted to a wall or ceiling only as recommended by the manufacturer.

24. Damage requiring service
Unplug the product from the wall outlet and refer servicing to qualified service personnel under the following conditions:

- When the power-supply cord or plug is damaged.
- If liquid has been spilled or objects have fallen into the product.
- If the product has been exposed to rain or water.
- If the product does not operate normally by following the operating instructions.
Adjust only those controls that are covered by the operating instructions, as an adjustment of other controls may result in damage and will require extensive work by a qualified technician to restore the product to its normal operation.
- If the product has been dropped or the cabinet has been damaged.
- When the product exhibits a distinct change in performance – this indicates a need for service.

25. Note to CATV system installer
This reminder is provided to call the CATV system installer's attention to Article 820-40 of the NEC that provides guidelines for proper grounding and, in particular, specifies that the cable ground shall be connected to the grounding system of the building, as close to the point of cable entry as practical.

Note:
Refer all servicing to qualified service personnel. Servicing is required when the unit has been damaged any way such as the following: the power-supply cord or plug has been damaged, liquid has been spilled into the unit, the unit has been exposed to rain or moisture, the unit has been dropped or the unit does not operate normally.

POWER SOURCE

Insert the AC plug (with 2 blades) into a conveniently located AC outlet having 120V 60Hz.

NOTE: The AC plug supplied with the unit is polarized to help minimize the possibility of electric shock. If the AC plug does not fit into a nonpolarized AC outlet, do not file or cut the wide blade. It is the user's responsibility to have an electrician replaced the obsolete outlet.

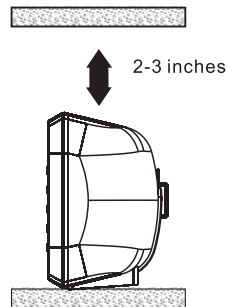


INSTALLATION

1. Placing on the table

Ventilation

When placing the Sound Bar on an entertainment center, bookshelf, or any type of enclosed space, be sure to allow at least 2-3 inches of space around the Sound Bar for ventilation. If the Sound Bar is enclosed in a tight space, without ventilation, heat generated from the Sound Bar could produce a potential heat hazard.



2. Mounting the Speaker Bar onto a wall

We recommend having this speaker professionally mounted. By using the included wall mounting accessories, the sound bar can be mounted onto a wall.

Distance Between Two Brackets

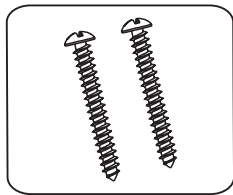


You will need :

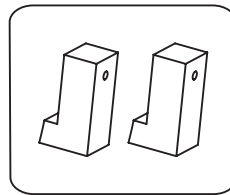
- Level
- Pencil
- Tape Measure
- Manual or Electric drill

2.1. Mounting on the wooden wall

You should use

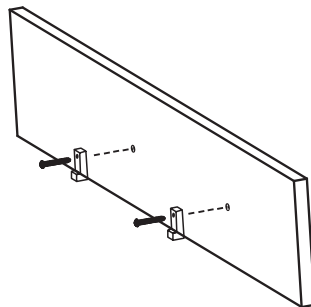


2 pieces of short screws



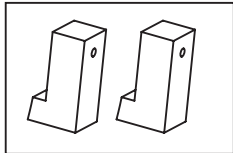
2 pieces of EVA

1. Use the TAPE MEASURE to decide how high you'd like to hang the sound bar on the wall. The sound bar must be hung within 5 feet of an AC power outlet for the attached AC power cord to reach.
2. Mark the position of the mounting screws on the wall using a pencil.
3. Line the LEVEL up on both of your mark sure they are level. If they're not, adjust the marks as needed to make them level.
4. After you've double checked your marks, drill through the EVA with screw directly into the marks that you have made on the wall.
5. Use the LEVEL to check that the mounting screws are level.
6. Put the sound bar onto the mounting brackets, and make sure there is a firm and stable connection before letting go of the sound bar.
7. Finally, use the LEVEL to confirm that the sound bar is level.

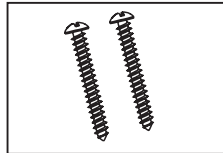


2.2. Mounting on the dry wall

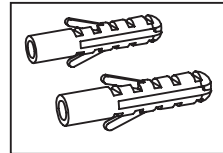
You should use



2 pieces of EVA

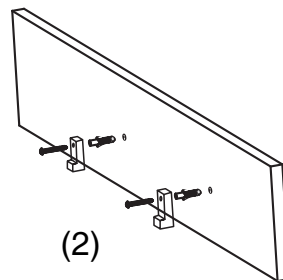
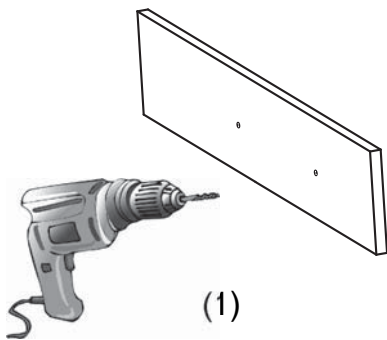


2 pieces of short screws

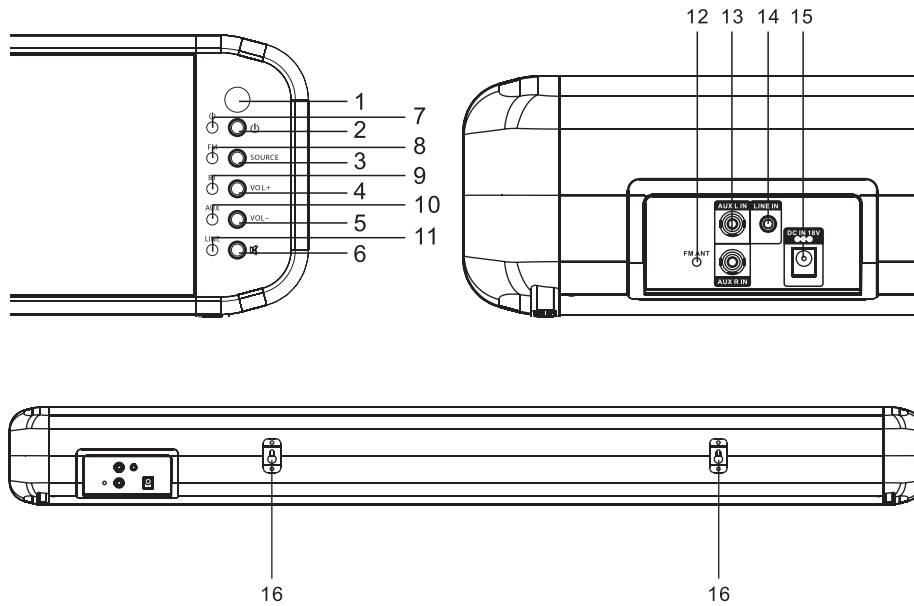


2 pieces of plastic tubes

1. Use the TAPE MEASURE to decide how high you'd like to hang the Speaker Bar on the wall. The SOUND Bar must be hung within 5 feet of an AC power outlet for the attached AC power cord to reach.
2. Mark the position of the mounting screws on the wall using a pencil.
3. Line the LEVEL up on both of your mark sure they are level. If they're not, adjust the marks as needed to make them level.
4. Drill a hole by a powerful electric drill.
5. Use a hammer gently nail 2 plastic tubs into the holes.
6. Drill through the EVA with screws directly into the holes.
7. Use the LEVEL to check that the mounting screws are level.
8. Put the SOUND Bar onto the mounting brackets, and make sure there is a firm and stable connection before letting go of the Sound Bar.
9. Finally, use the LEVEL to confirm that the Sound Bar is level.

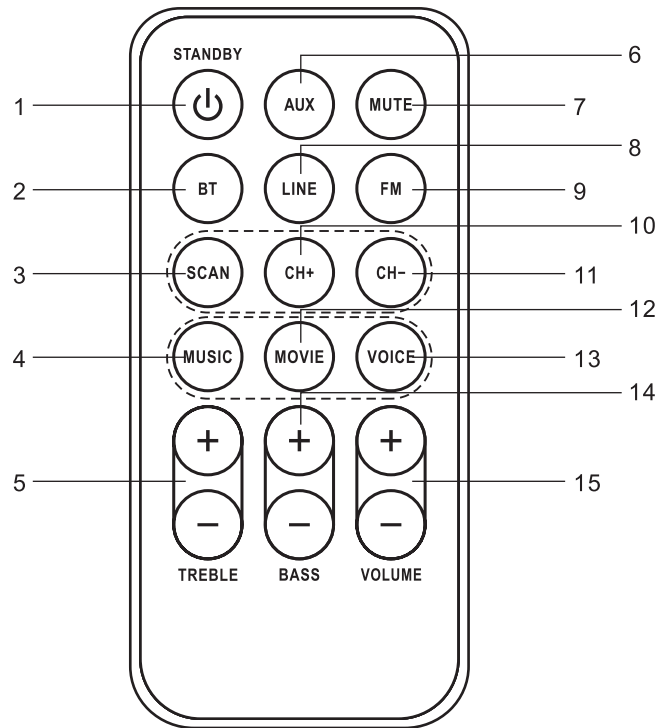


LOCATION OF CONTROLS



1. REMOTE SENSOR: Ensure this area is not covered or blocked by any object.
2. STANDBY button: Press to turn the speaker bar off or on.
3. SOURCE button: Press to switch between Bluetooth receiver, AUX, LINE in and FM.
4. VOLUME +: Press to increase the volume.
5. VOLUME -: Press to decrease the volume
6. MUTE: Press to mute the volume.
7. STANDBY Indicator.
8. FM Indicator.
9. Bluetooth Indicator.
10. AUX Indicator.
11. LINE IN Indicator.
12. FM antenna port.
13. AUX L/R IN: To insert RCA cable.
14. LINE IN jack: To insert LINE in cable.
15. DC jack in.
16. Mounting bracket.

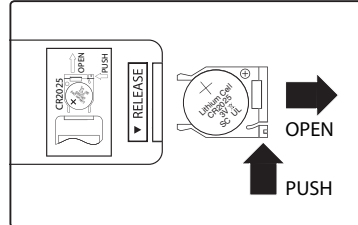
REMOTE CONTROL -LOCATION OF CONTROLS



1. STANDBY button: Press to turn the unit on or off.
2. BT button: Press to switch to Bluetooth mode.
3. SCAN button: Press to scan for available radio stations in FM Radio mode.
4. MUSIC button: Press to switch to the EQ optimized for music.
5. TREBLE button: Press to adjust the treble up or down.
5. VOL- button: Press to decrease the volume.
6. AUX button: Press to switch to AUX mode.
7. MUTE button: Press to mute the volume.
8. LINE button: Press to switch to LINE In mode.
9. FM button: Press to switch to FM Radio mode.
10. CHANNEL + button: Press to adjust the channel up.
11. CHANNEL - button: Press to adjust the channel down.
12. MOVIE button: Press to switch to the EQ optimized for movie sound.
13. VOICE button: Press to switch to the EQ optimized for dialogue.
14. BASS button: Press to adjust the bass up or down.
15. VOLUME button: Press to adjust the volume.

BATTERIES INSTALLATION (REMOTE CONTROL)

1. It includes one 2025 button cell battery. (pre-installed)
2. Removes the transparent sheet.

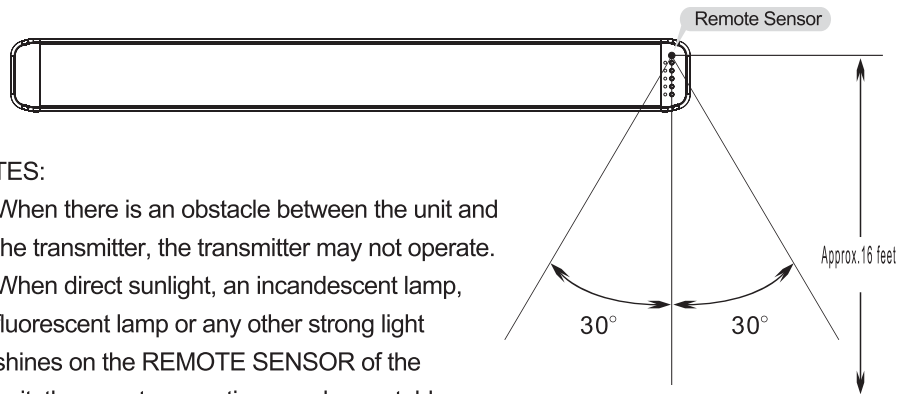


BATTERY PRECAUTIONS:

Follow these precautions when using a battery in this device:

1. Use only the size and type of battery specified.
2. Be sure to follow the correct polarity when installing the battery as indicated in the battery compartment. A reversed battery may cause damage to the device.
3. If the battery in the device is consumed or the device is not to be used for a long period of time, remove the batteries to prevent damage or injury from possible battery leakage.
4. Do not try to recharge the battery not intended to be recharged; it can overheat and rupture.
5. The batteries shall not be exposed to excessive heat such as sunshine, fire or the like.
6. Clean the battery contacts and also those of the device prior to battery installation

EFFECTIVE DISTANCE OF REMOTE TRANSMITTER



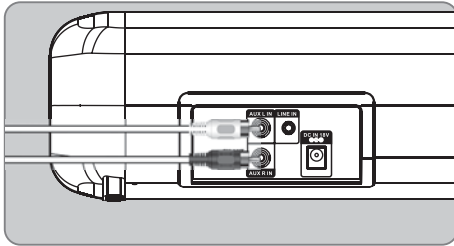
NOTES:

- When there is an obstacle between the unit and the transmitter, the transmitter may not operate.
- When direct sunlight, an incandescent lamp, fluorescent lamp or any other strong light shines on the REMOTE SENSOR of the unit, the remote operation may be unstable.

SYSTEM CONNECTIONS

Audio Inputs

(1) Using the Stereo RCA Inputs



When connecting two products using an RCA Cable, match the colored ports with the same colored connection.

Before use, disconnect any cables connected to the LINE IN.

1. Connect the RCA Cable to the RCA Stereo Inputs located on the back of the unit, and to the audio outputs on the television.
2. Press the STANDBY button to power on the unit.
3. Press the AUX button on the remote or SOURCE button on the unit repeatedly to enter aux mode.
4. Audio played through the television will now be heard through the speakers.

(2) Using the LINE IN

1. Plug one end of a 3.5 mm audio input cable into the LINE IN on the unit.
Before use, disconnect any cables connected to the Stereo RCA Inputs.
2. Plug the other end of the cable into the audio output /headphone output on an MP3 Player or other audio source.
3. Press the STANDBY button to power the unit on.
4. Press the LINE button on the remote or SOURCE button on the unit repeatedly to enter line in mode.
5. Audio played through the connected device will now be heard through the speakers.

LISTEN WITH BLUETOOTH RECEIVER

1. Switch on the sound bar and select BT on the remote or SOURCE button on the unit repeatedly to select bluetooth function.
2. Bluetooth blue LED indicator will flash and blink. Turn on your device, such as iPod, iPhone, iPad, tablets and mobiles etc, with bluetooth transmitters to search for the sound bar.
3. When your device have successfully searched for the sound bar, it will show the name of CHT912. Enter the default password "0000" to pair with.

4. When successfully paired and connected, blue LED indicator will be light only and stop blinking.
5. If your device should become unpaired or it is unable to connect, blue LED indicator will continue flashing and blinking. Repeat the above steps to try to pairing.
6. If the initial set up connection is succesful, the next time the speaker is turned on , the speaker will automatically pair to the last device it was connected with .

NOTE:

1. The Bluetooth speaker only connects to device at a time . Turn off the Bluetooth speaker in order to pair the device with another Bluetooth device.
2. The maximum transmission between the Bluetooth speaker and a device is 10 meters or 32 feet .
3. Interfece may occur during playback when using the Bluetooth function near other wireless devices. If playback through Bluetooth is problematic, move the Bluetooth speaker and the playback device to a different location , or use the 3.5mm audio cable jack instead of the Bluetooth function .

LISTEN TO FM RADIO

Extend the FM antenna wire on the rear of the unit and relocate it to get the best reception.

Tuning the Radio

1. Power on the unit as pervious procedures.
2. Press the FM button on the remote or SOURCE button on the unit to enter FM radio mode.
3. Press the SCAN button on the remote.
4. The bar speaker will scan for all available stations, and store them.
5. Press the CH+/- buttons on the remote to browse through stored stations.
6. Total stations available is 30.

BUILT-IN EQUALIZER

It presets 3 bands equalizer. Press the MUSIC, MOVIE and VOICE button on the remote control to cycle through it.

1. MUSIC mode. Press to switch to the EQ optimized for music. Adjust your preferences by pressing the TREBLE and BASS buttons.
2. MOVIE mode. Press to switch to the EQ optimized for movie sound. Under this mode, TREBLE and BASS are invalid.
3. VOICE mode. Press to switch to the EQ optimized for dialogue. Under this mode, TREBLE and BASS are invalid.

TROUBLESHOOTING GUIDE

<i>Problem</i>	<i>What to do</i>
No power	Check that the power is switched on at the wall.
	Check if the power cord is properly connected to the power outlet.
No sound	Check that the volume control is NOT at minimum setting.
	Check that it is NOT set to mute.
Function disturbed	If none of the above solutions work, then switch off and unplug your Speaker system, leaving it for 2 minutes and then switching it back on again.
The remote control won' t work	Inspect or replace the batteries.
	Make sure there are no obstacles obscuring the front of the Speaker.
No sound from bluetooth first connection	Check if you have entered password or not. It needs to start with password "0000".

Maintenance

1. Do not use harsh or abrasive cleaning agents or solvents.
2. Do not attempt to disassemble your product.
3. Do not paint your product.
4. Do not drop, throw or try to bend your product.
5. Do not expose your product to open flames.

GENERAL SPECIFICATIONS

Power Source :..... AC120V, 60Hz
Power Source of Remote Control:.....DC 3V, 1X CR2025 battery (Included)
Power Consumption:.....< 1W
Audio Power :
 Woofer 30W
 Left Channel10W
 Right Channel.....10W
Radio Coverage FM 87.5-108.0 MHz
Impedance of Speakers :
 Woofer 8 Ohm,18W x 2
 Left Channel 4 Ohm,12W
 Right Channel..... 4 Ohm,12W

Accessories:

1 x User's Manual
1 x Remote Control
1 x AC/DC Adaptor
1 x RCA cable
1 x 3.5mm LINE in cable
2 x Screws
2 x Plastic Tubes
2 x EVA spacer