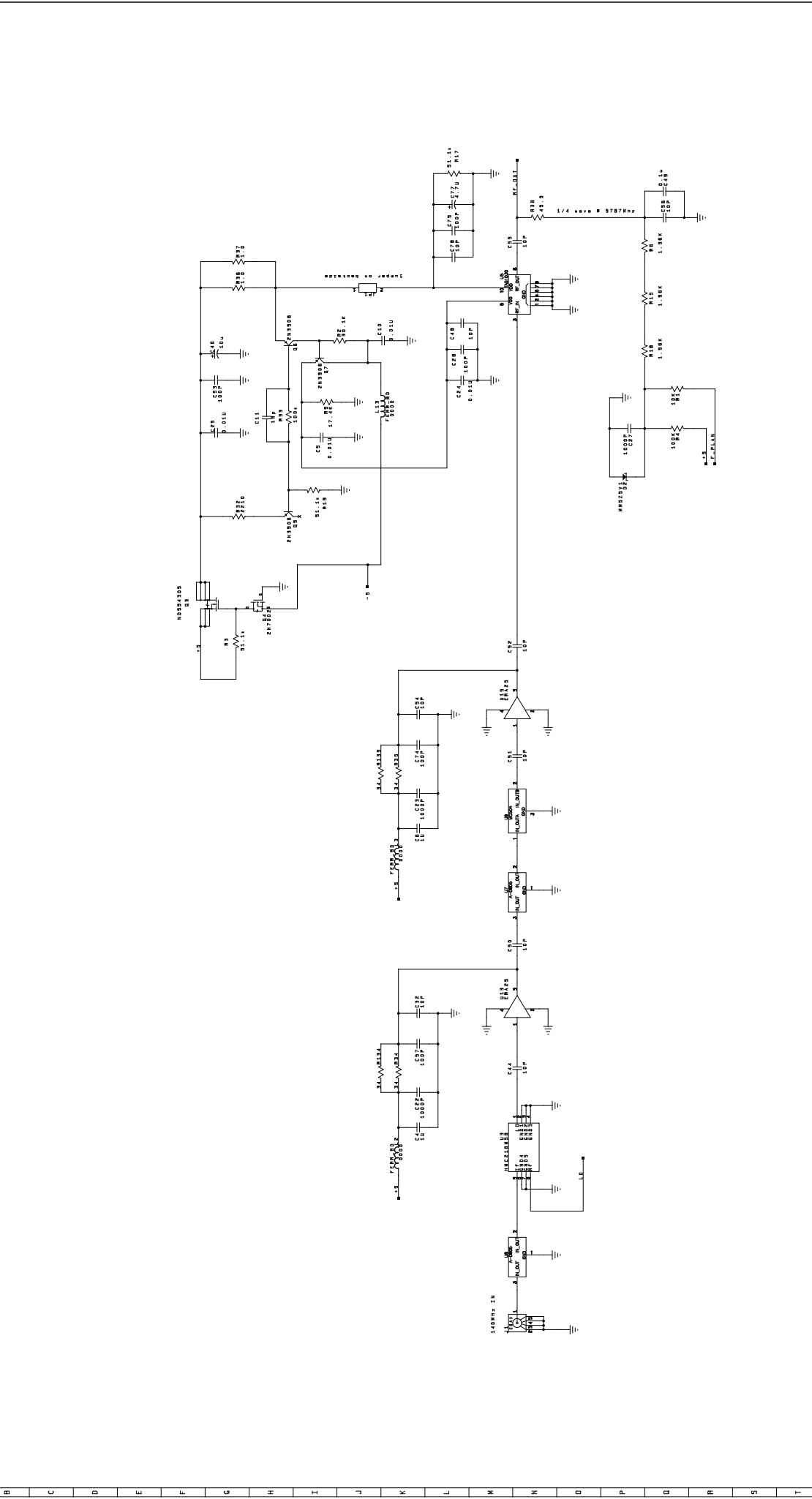
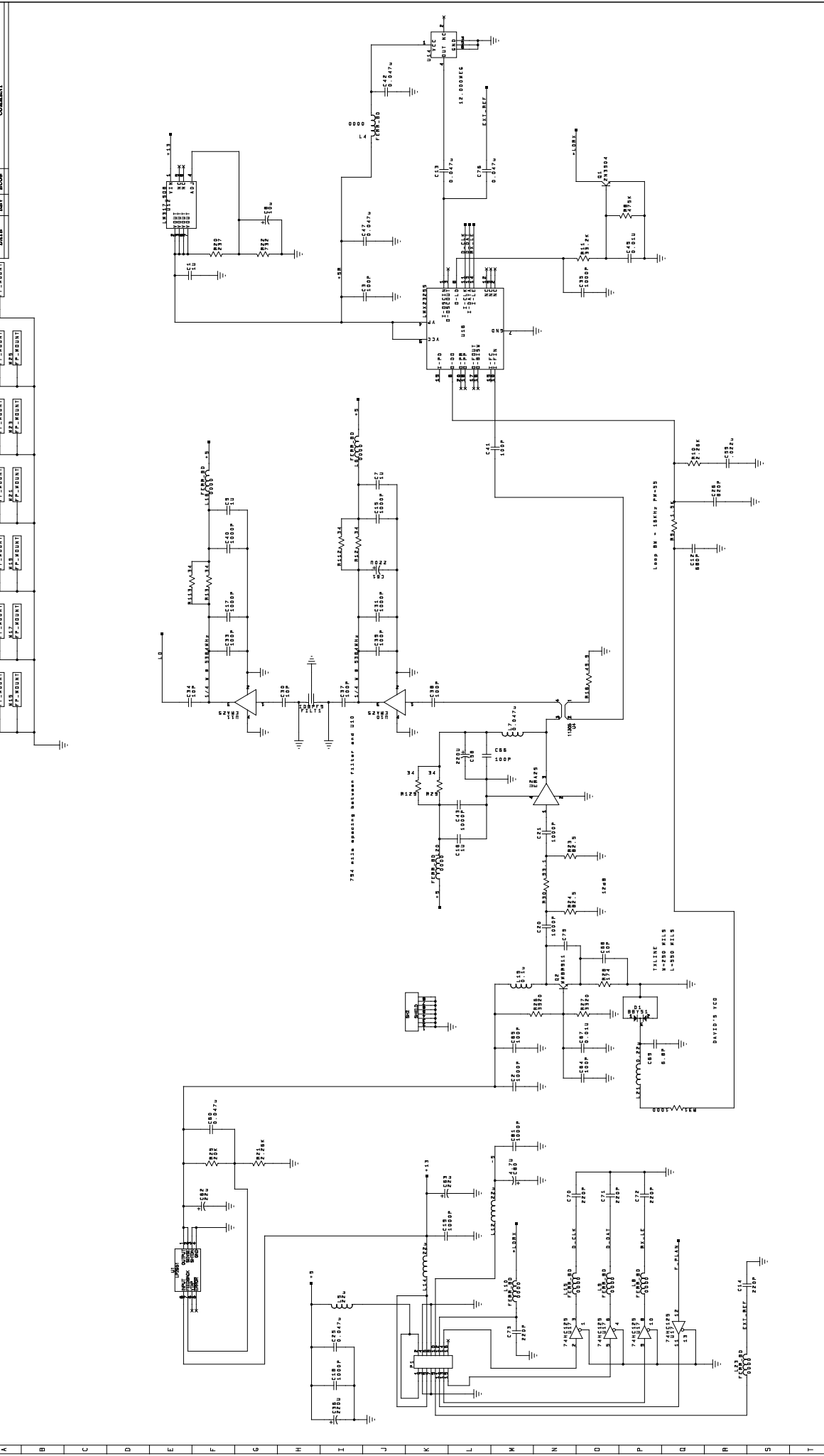


1 2 3 4 5 6 7 8 9 10 11 12 13 14 15 16 17 18 19 20 21 22 23 24 25 26 27 28 29 30 31 32 33 34

DATE	REV	BY	CHKD	COMMENT
10-1-58	1	TAD HARRIS	TAD HARRIS	5.8GHZ TX



ADTRAN	25, 26, 27, 28, 29, 30, 31, 32, 33, 34
TITLE	5.8GHZ TX - TELEDYNE
DRAWN BY:	TAD HARRIS ENGINEER, TAD HARRIS
SIZE	DRAWING NUMBER 2200580-4
DATE:	9-18-2008-18
SHEET 1 OF 2	



DATE	REV	BY	APP'D	COMMENT
9-18-2008	1	TAD HARRIS		REVISED
9-18-2008	2	TAD HARRIS		REVISED
9-18-2008	3	TAD HARRIS		REVISED
9-18-2008	4	TAD HARRIS		REVISED
9-18-2008	5	TAD HARRIS		REVISED
9-18-2008	6	TAD HARRIS		REVISED
9-18-2008	7	TAD HARRIS		REVISED
9-18-2008	8	TAD HARRIS		REVISED
9-18-2008	9	TAD HARRIS		REVISED
9-18-2008	10	TAD HARRIS		REVISED
9-18-2008	11	TAD HARRIS		REVISED
9-18-2008	12	TAD HARRIS		REVISED
9-18-2008	13	TAD HARRIS		REVISED
9-18-2008	14	TAD HARRIS		REVISED
9-18-2008	15	TAD HARRIS		REVISED
9-18-2008	16	TAD HARRIS		REVISED
9-18-2008	17	TAD HARRIS		REVISED
9-18-2008	18	TAD HARRIS		REVISED
9-18-2008	19	TAD HARRIS		REVISED
9-18-2008	20	TAD HARRIS		REVISED
9-18-2008	21	TAD HARRIS		REVISED
9-18-2008	22	TAD HARRIS		REVISED
9-18-2008	23	TAD HARRIS		REVISED
9-18-2008	24	TAD HARRIS		REVISED
9-18-2008	25	TAD HARRIS		REVISED
9-18-2008	26	TAD HARRIS		REVISED
9-18-2008	27	TAD HARRIS		REVISED
9-18-2008	28	TAD HARRIS		REVISED
9-18-2008	29	TAD HARRIS		REVISED
9-18-2008	30	TAD HARRIS		REVISED
9-18-2008	31	TAD HARRIS		REVISED
9-18-2008	32	TAD HARRIS		REVISED
9-18-2008	33	TAD HARRIS		REVISED
9-18-2008	34	TAD HARRIS		REVISED

ADTRAN 22000580-4
 TITLE 5.8GHZ TX - TELEDYNE
 DRAWN BY: TAD HARRIS ENGINEER, TAD HARRIS
 SIZE D
 DATE: 9-18-2008-8-18 SHEET 2 OF 2