

CONFIGURING THE BSAP'S IP ADDRESS USING THE CLI

By default, DHCP is enabled on the BSAP 2135. However, if you need to statically configure the IP address or statically configure AP discovery for the BSAP, follow these steps:

1. Ensure that the BSAP is connected to a controlling computer (using the provided RJ-45 Ethernet cable).
2. Specify that the computer's TCP/IP setting is **On** or **Enabled** by navigating to **Control Panel > Network Connections** and double-clicking the connection of your network interface card. Select **Internet Protocol (TCP/IP)** and select **Properties**. Then specify that the TCP/IP setting is enabled.
3. Set your PC to a static IP address of **192.168.190.2** with a subnet mask of **255.255.255.0**.
4. Next, access the BSAP's command line interface (CLI) using an SSH client. Open an SSH connection using the unit's default IP address (**192.168.190.1**) and port 2335 connected to the **LAN1** port on the BSAP. To access the unit using vWLAN, and for more instructions about CLI configuration, refer to the *Bluesocket vWLAN Administrator's Guide*, available online at <https://supportforums.adtran.com>.

CONFIGURING THE APPLICATION

More detailed documentation for configuring the BSAP 2135 is provided in the *Bluesocket vWLAN Administrator's Guide*, available online at <https://supportforums.adtran.com>.

FCC RADIO FREQUENCY INTERFERENCE

This device complies with Part 15 of the Federal Communications Commission (FCC) rules. The operation of this device is subject to the following two conditions:

1. This device may not cause harmful interference.
2. This device must accept any interference received including interference that may cause undesired operation.

NOTE Additional information for maintaining safe operation and compliance with FCC rules and Regulations are provided in the document *Bluesocket Compliance Notice* available online at <https://supportforums.adtran.com>.

THIRD-PARTY SOFTWARE

The software included in the Bluesocket 2135 contains copyrighted software that is licensed under the GNU General Public License (GPL). For a list of third-party software and their licenses, go to <http://www.adtran.com/software/EULA>. You can obtain the complete corresponding source code of such software components from ADTRAN for a period of three years after our last shipment of this product by sending a money order or check for \$5 to:

ADTRAN, Inc, P.O. Box 933638, Atlanta, GA 31193-3638

Please write **GPL Source for product Bluesocket 2135** in the memo line of your payment.

This offer is valid to anyone in receipt of this information.

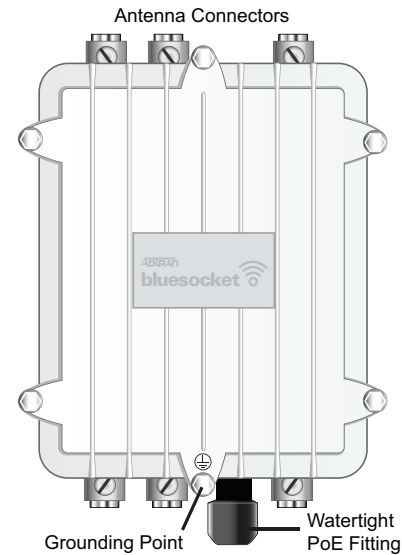
BLUESOCKET 2135 ACCESS POINT

P/N 1700962F1

HARDWARE

The following items are included in your shipment:

- Bluesocket 2135 Access Point (BSAP)
- One plane bracket with hardware
 - Four expansion bolts with washers and nuts
 - Four hex cap screws with washers and lock washers
- One pole mounting base with hardware
 - One hose strap
 - Four round head screws with washers and lock washers
- Watertight PoE fitting
- Grounding cable



ANTENNAS

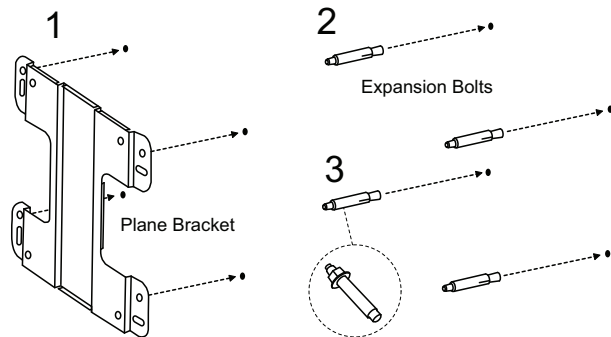
The BSAP 2135 provides six N-type antenna connectors (no integrated antennas are included). These connectors support two internal 802.11 radios: one 2.4 GHz 802.11b/g/n radio and one 5 GHz 802.11a/n/ac radio. There are three antenna connectors for each band labeled **2.4GHz** and **5GHz**. For a list of supported external antennas, applications, and instructions for maintaining regulatory compliance, refer to the *Bluesocket Compliance Notice* located online at <https://supportforums.adtran.com>.

NOTE Make a note of the 12-character MAC address and 14-digit serial number listed on the back of the BSAP 2135 before mounting the AP to a wall or other surface. This information will be required during configuration.

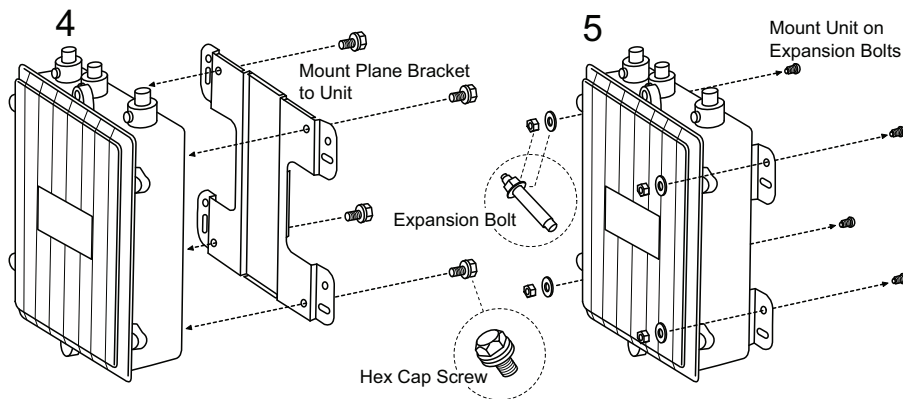
MOUNTING THE BSAP TO AN EXTERIOR CEILING OR WALL

BSAPs can be mounted in exterior applications or interior applications in harsh environments with an operating temperature range of -40°F to 131°F (-40°C to 55°C). BSAPs should be positioned for maximum throughput and range between other APs and wireless client devices. Follow these instructions to mount the BSAP 2135 to a ceiling or wall:

1. On a flat mounting surface, mark the locations of the four mounting holes using the plane bracket as a template (Figure 1).
2. Drill an 8 mm diameter hole with a depth of 36 to 38 mm into each of the markings (Figure 2).
3. Hammer the expanding bolts into each of the drilled holes (Figure 3).



4. Place the lock washers, then the flat washers on the four hex cap screws, and drive the screws through the plane bracket into the back of the case (Figure 4).
5. Install the antennas (sold separately) onto the appropriate antenna ports. The antenna ports are labeled **2.4GHz** and **5GHz**.
6. Insert the expansion bolts extending from the mounting surface through the holes in the plane bracket, place the flat washers on the bolts, thread the nuts onto the bolts, and tighten to secure the bracket to the mounting surface (Figure 5).



Ground the BSAP

Use the supplied green grounding cable to ground the BSAP 2135 by following these steps:

1. Remove bottom hex head screw from the BSAP unit. This location of the grounding screw is marked . . .
2. Place the round lug of the supplied grounding cable on the shank of the screw and secure the screw to the unit using an appropriate tool.
3. Attach the other end of the grounding cable to a reliable earth ground point.

WARNING

Adequate grounding must be provided to the unit. A clearly marked grounding location is provided on the front of the unit for this purpose. Consult a certified electrician to ensure that all grounding and cabling is installed in compliance with the local electrical code.

CONNECTING TO THE BSAP

If the BSAP is to be powered using a network device such as a switch, connect the Ethernet port of the BSAP to the appropriate switchport. Obtain the IP address of the BSAP from the Dynamic Host Control Protocol (DHCP) server (based on the MAC address of the BSAP). DHCP is enabled by default. You can then use a Secure Shell (SSH) client to connect to the BSAP based on the instructions below.

If the BSAP is powered using a PoE injector, connect the Ethernet port of the BSAP to the **OUT** port of the PoE injector and connect the Ethernet port of the computer to the **IN** port on the PoE injector. Then proceed to SSH to the default IP address of the BSAP as instructed below.

CONFIGURING THE BSAP WITH vWLAN AND AP DISCOVERY

The BSAP 2135 can be configured for use with the Bluesocket virtual wireless local area network (vWLAN). If you have installed vWLAN, and want to use AP discovery to configure the BSAP 2135, follow these steps. For more information on the vWLAN and AP discovery, refer to the [vWLAN AP Discovery](https://supportforums.adtran.com) configuration guide available online at <https://supportforums.adtran.com>.

1. After powering the AP and connecting it to the network, allow the AP to discover the vWLAN appliance to receive its configuration information. This AP discovery process uses an algorithm that attempts discovery methods in this order: static configuration, DHCP vendor option (43), Domain Naming System (DNS) discovery, and cached vWLAN information. If no response to the discovery request is received, the algorithm moves to the next method in the list (except when using static configuration, which never queries the other discovery methods).
2. There are two additional network components that can be configured to facilitate AP discovery. First, an external DHCP server can be configured to assign IP addresses to APs associated with the vWLAN. When configuring the DHCP server, make sure to configure the Bluesocket DHCP vendor option (43) on the server. Second, you can configure an external DNS server to resolve the name **apdiscovery** to the IP address of the vWLAN instance in the network environment.

USING THE 5 GHz U-NII BAND IN EUROPE, AUSTRALIA, NEW ZEALAND

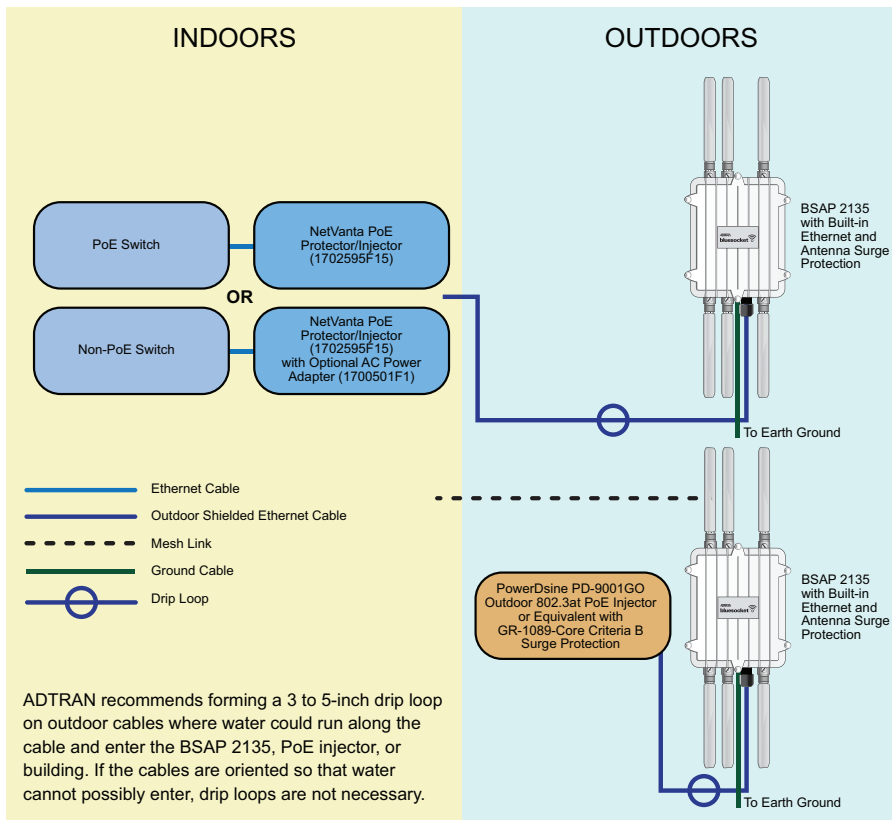
In Europe, Australia, and New Zealand, the 5 GHz U-NII low band (5.15 to 5.35 GHz, channels 36, 40, 44, and 48) is designated for indoor use only. If the BSAP 2135 is installed indoors, for example in a harsh environment such as a warehouse, it must be configured for indoor use.

To enable this band/channels for indoor installation, follow these steps:

In the graphical user interface (GUI) navigate to **Configuration > Wireless > Access Points**. Select the appropriate access point link to display the configuration menu. Using the **Installed** drop-down list, select **Indoor**.

CAUTION

- In all cases the BSAP 2135 should be connected to Earth Ground.
- In all cases 802.3at PoE injectors with GR-1089-Core Criteria B surge protection should be used.
- For outdoor applications, use only shielded or outdoor-rated Ethernet cable run inside conduit to protect it from damage from extreme weather conditions and temperatures.
- Consult a certified electrician to ensure that all grounding and cabling is installed in compliance with local electrical code.
- Any damage or malfunction resulting from exposure of this unit to lightning or transient voltage events will void the user's warranty.

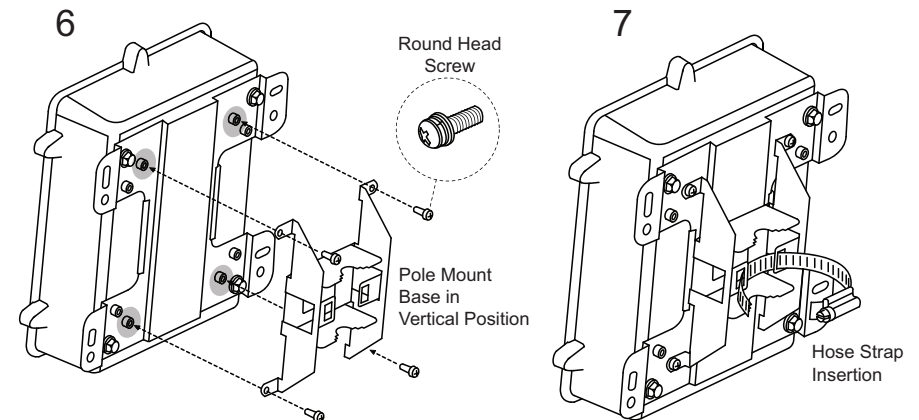


MOUNTING THE BSAP TO A POLE

The BSAP 2135 also ships with a pole mount base and hose strap to mount the AP to a vertical or horizontal pole. BSAPs should be positioned for maximum throughput and range between other APs and wireless client devices.

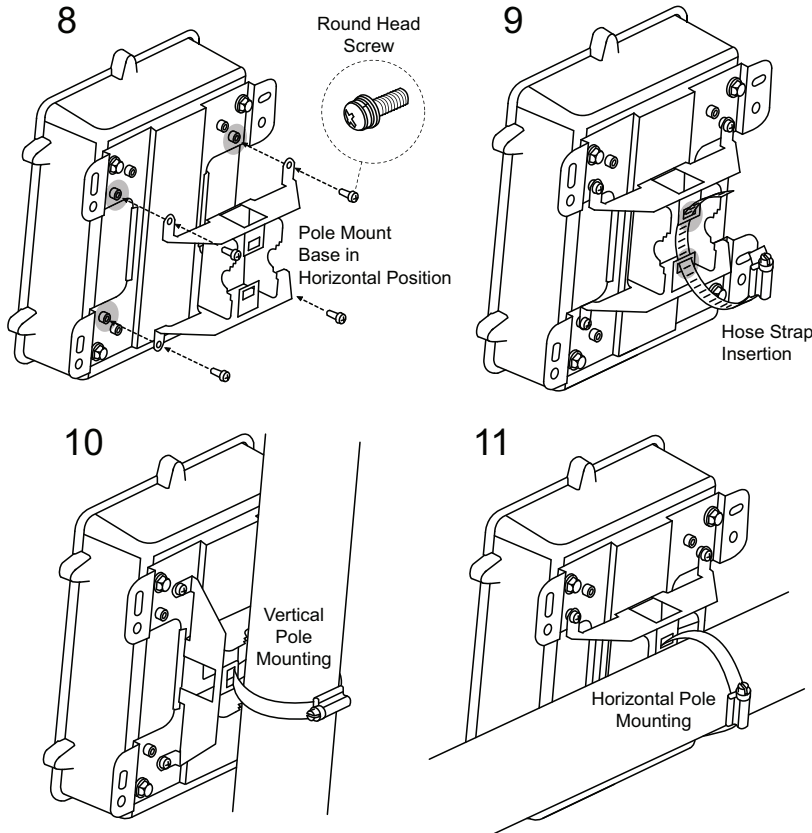
To mount the BSAP 2135 to a vertical pole:

1. Place the lock washers, then the flat washers on the four hex cap screws, and drive the screws through the plane bracket into the back of the case as shown in Figure 4.
2. Using the four round head screws with washers and lock washers, attach the pole mounting bracket to the plane bracket in a vertical position (Figure 6).
3. Thread the open end of the hose strap through the two tabs on the pole mount base (Figure 7).
4. Install the antennas (sold separately) onto the appropriate antenna ports. The antenna ports are labeled **2.4GHz** and **5GHz**.
5. Wrap the hose strap around the vertical mounting pole and insert the end into the strap lock. Tighten the strap lock to secure the unit to the pole (Figure 10).



To mount the BSAP 2135 to a horizontal pole:

1. Place the lock washers, then the flat washers on the four hex cap screws, and drive the screws through the plane bracket into the back of the case as shown in Figure 4.
2. Drive the four round head screws to attach the pole mount base to the plane bracket in a horizontal position (Figure 8).
3. Thread the open end of the hose strap through the two tabs on the pole mount base (Figure 9).
4. Install the antennas (sold separately) onto the appropriate antenna ports. The antenna ports are labeled **2.4GHz** and **5GHz**.
5. Wrap the hose strap around the horizontal mounting pole and insert the end into the strap lock. Tighten the lock of the hose strap to secure the unit to the pole (Figure 11).

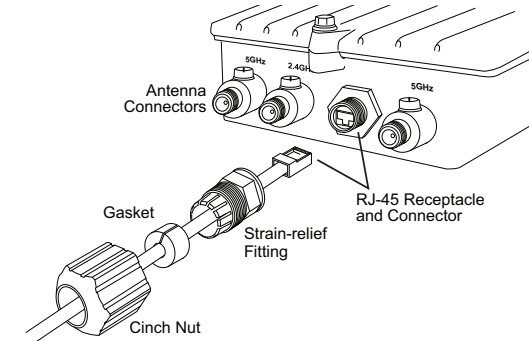


SUPPLYING POWER TO THE BSAP

The BSAP 2135 does not have a power switch. It is powered when connected to a network device that supplies PoE based on the IEEE 802.3at standard or an external PoE injector. To power the BSAP 2135, follow these instructions:

Connect the PoE Cable to the BSAP

1. Disassemble the watertight fitting by unscrewing the cinch nut and pushing the rubber gasket out of the strain-relief fitting.
2. Thread the cinch nut onto the customer-provided RJ-45 CAT 5e or CAT 6 cable.
3. Spread the gasket open and wrap it around the cable near the RJ-45 connector.
4. Insert the RJ-45 connector through the strain-relief fitting, and press the gasket back into its original position.
5. Insert the connector into the RJ-45 receptacle on the bottom of the BSAP.
6. Gently push the strain-relief fitting along the cable until it engages with the black threads, and screw it onto the BSAP until it is well seated against the unit.
7. Screw the cinch nut onto the strain-relief fitting until it is well seated against the gasket forming a watertight seal.



For outdoor applications, the watertight fitting must be used when connecting PoE cables to the BSAP 2135. Failure to use the watertight fitting when the unit is installed outdoors will void the user's warranty and could create a fire or shock hazard.

Connect the BSAP to a PoE Source

The BSAP 2135 requires 802.3at PoE. It will not function using 802.3af PoE. The following diagram illustrates how to provide power to the BSAP 2135 installed outdoors. Three examples are provided:

1. A PoE switch providing power in conjunction with NetVanta PoE Protector/Injector (1702595F15) installed indoors.
2. A non-PoE switch in conjunction with NetVanta PoE Protector/Injector (1700501F1) and an optional AC Power Adapter (1700501F1) to provide power installed indoors.
3. A third-party outdoor rated 802.3at PoE injector (PowerDsine PD-9001GO) or equivalent with GR-1089-Core Criteria B Surge Protection installed outdoors with mesh.