

# RF Antenna Cable Assembly

## Specification

### 1. Electrical Properties :

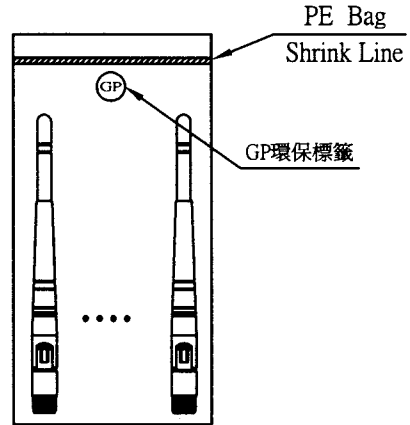
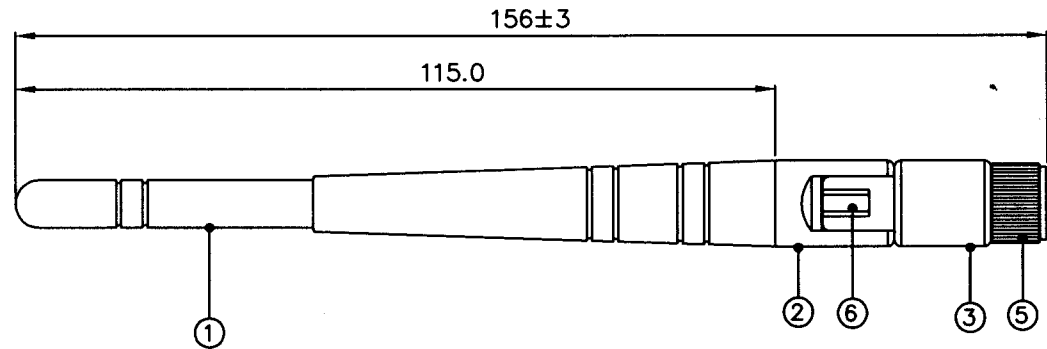
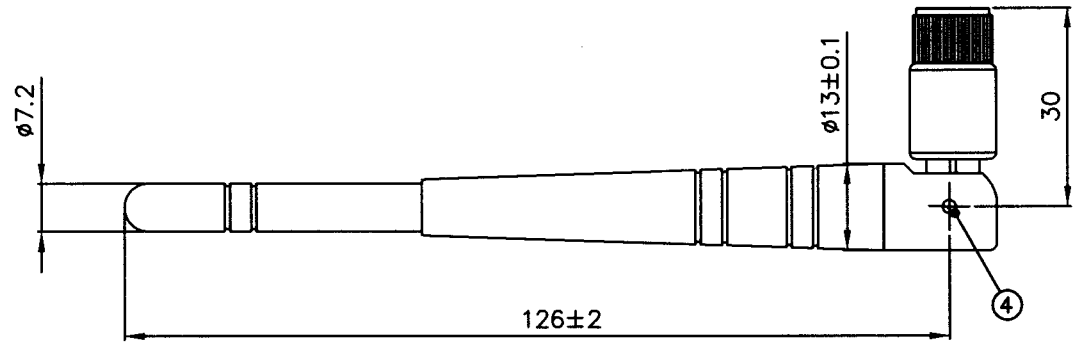
- 1.1 Frequency Range..... 2.4GHz ~ 2.5GHz ; 4.9GHz ~ 5.825GHz
- 1.2 Impedance ..... 50Ω Nominal
- 1.3 VSWR ..... 1.92 Max.
- 1.4 Return Loss..... -10 dB Maximum
- 1.5 Radiation ..... Dipole-directional
- 1.6 Gain(peak)..... 2.4GHz ~ 2.5GHz @ 2dBi  
4.9GHz @1dBi  
5.15GHz ~ 5.825GHz @ 3dBi
- 1.7 Polarization..... Linear Vertical
- 1.8 Admitted Power..... 1W

### 2. Physical Properties :

- 2.1 Cable..... RG-178 Coaxial Cable
- 2.2 Antenna Cover..... TPE
- 2.3 Antenna Base..... PC
- 2.4 Antenna Base..... PBT
- 2.5 Operating Temp. .... -20°C ~ +65°C
- 2.6 Storage Temp. .... -30°C ~ +75°C
- 2.7 Color ..... Black
- 2.8 Connector..... SMA Plug Reverse

CG-


REV	DATE	DESCRIPTION
X1	6/22-2006	New Issue



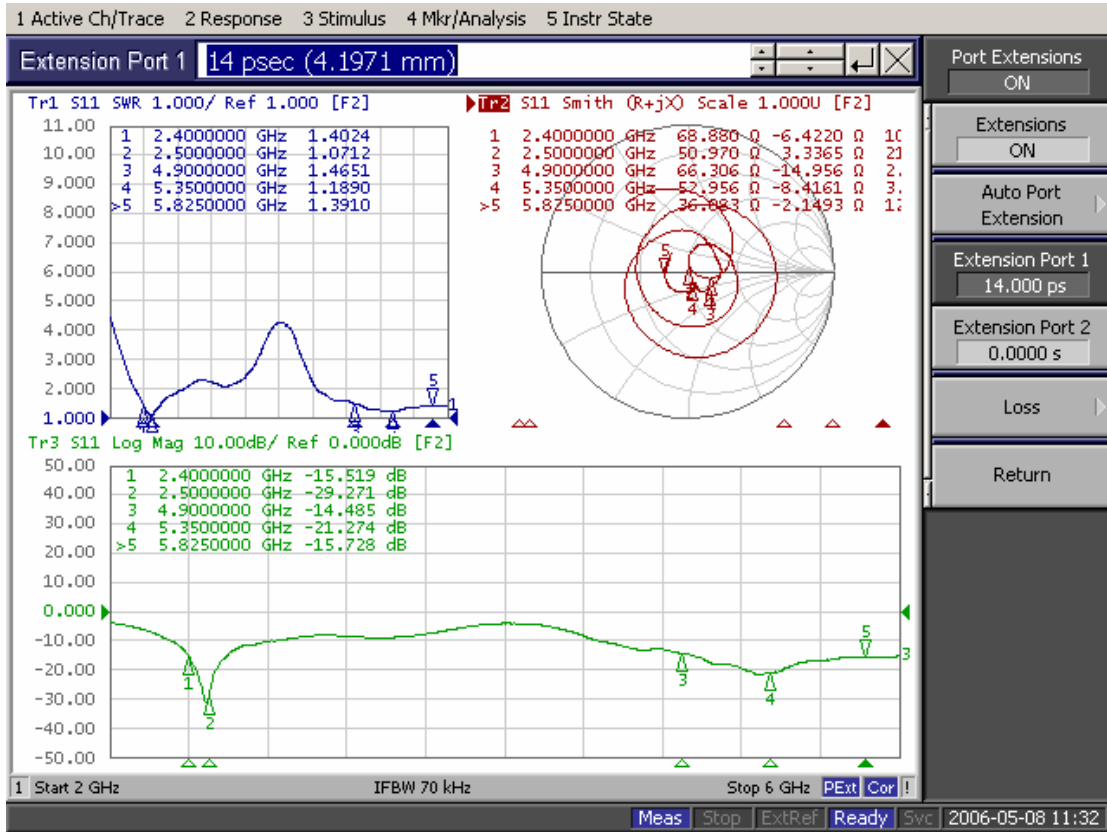
Packing :10 pcs/bag

6	Cable	RG-178 Cable	1	
5	Connector	SMA Plug Reverse	1	
4	Rivet	POM ; Black	2	
3	Antenna Base	PBT ; Color : Black	1	
2	Antenna Base	PC ; Color : Black	1	
1	Antenna Body	TPE ; Color : Black	1	
NO	DESCRIPTION		QTY	REMARK

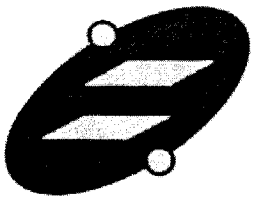
CUSTOMER'S SIGNATURE	XX.	±5	APPROVED	CUSTOMER: 中磊科技股份有限公司	
	X.	±3.0	CHECKED		PART NO :
	.X	±1.0			PARTNAME: RF Antenna Assembly
	.XX	±0.5	DRAWING		W.Y P/NO : C147-510243-A
	.XXX	±0.1			REV UNIT FILE :
			X1 m/m SHEET: 1/1		


**Wha Yu**  
**INDUSTRIAL CO.,LTD.**  
**譚裕實業股份有限公司**  
 THIS DRAWING, AND ITS INHERANT DESIGN CONCEPTS, ARE THE PROPERTY OF WHA YU AND AS SUCH MAY NOT BE COPIED, REPRODUCED, OR GIVEN TO THIRD PARTIES WITHOUT THE WRITTEN CONSENT OF WHA YU.

RF Antenna Assembly  
 P/NO : C147-510243-A SPEC : Dual Band



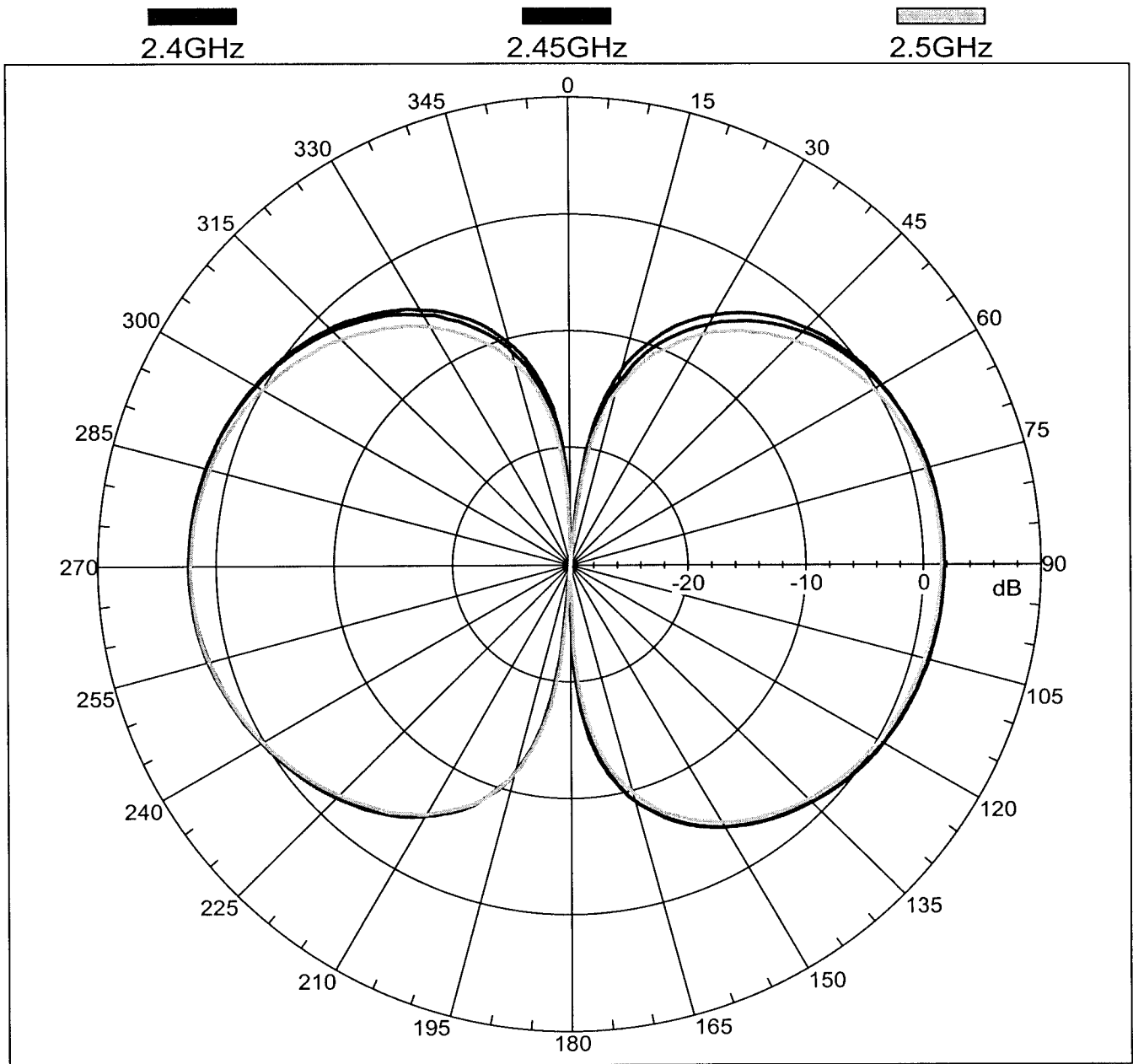
5/8/2006

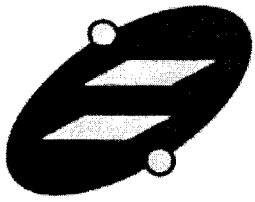


# 譚裕實業股份有限公司

## WHA YU INDUSTRIAL CO., LTD

Far-field amplitude of C147-510243-A -X2-E pettern.nsi

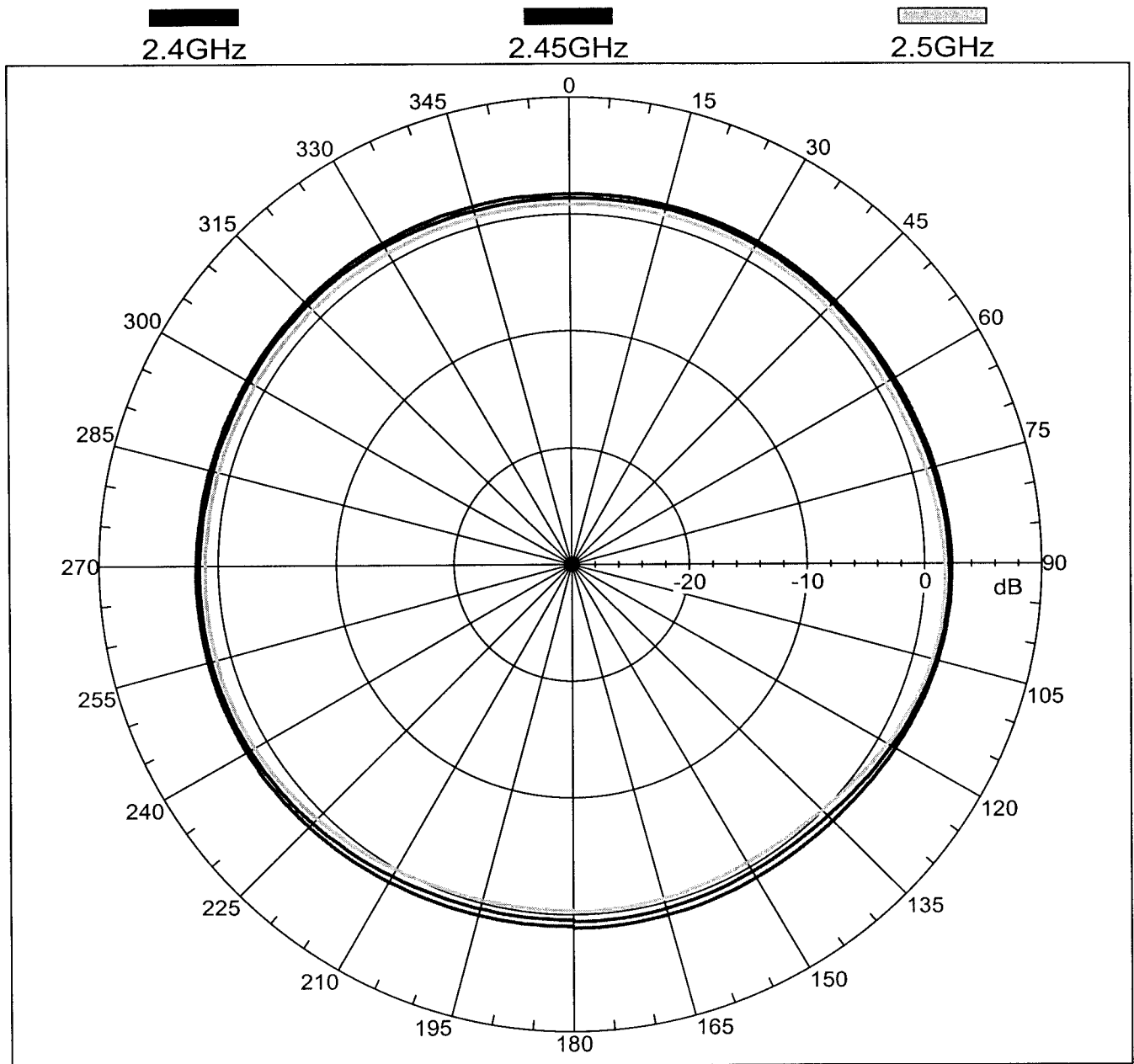


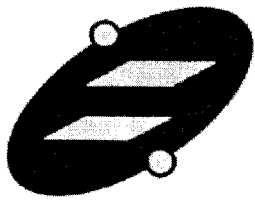


# 譚裕實業股份有限公司

## WHA YU INDUSTRIAL CO., LTD

Far-field amplitude of C147-510243-A -X2-H pettern.nsi

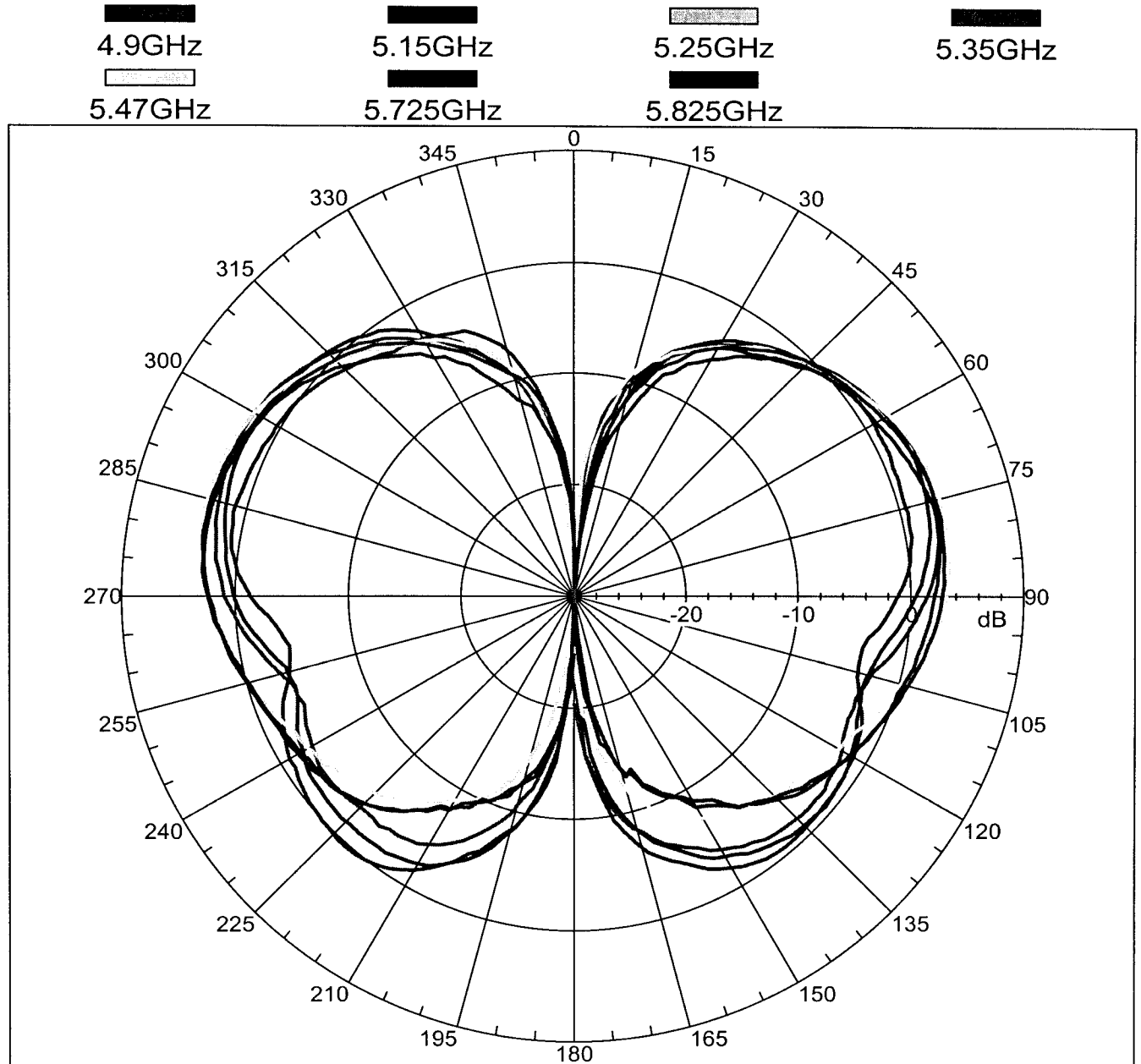


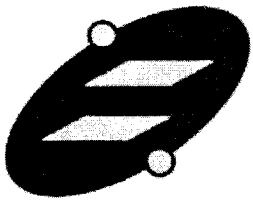


# 譚裕實業股份有限公司

## WHA YU INDUSTRIAL CO., LTD

Far-field amplitude of C147-510243-A -X2-E pattern.nsi

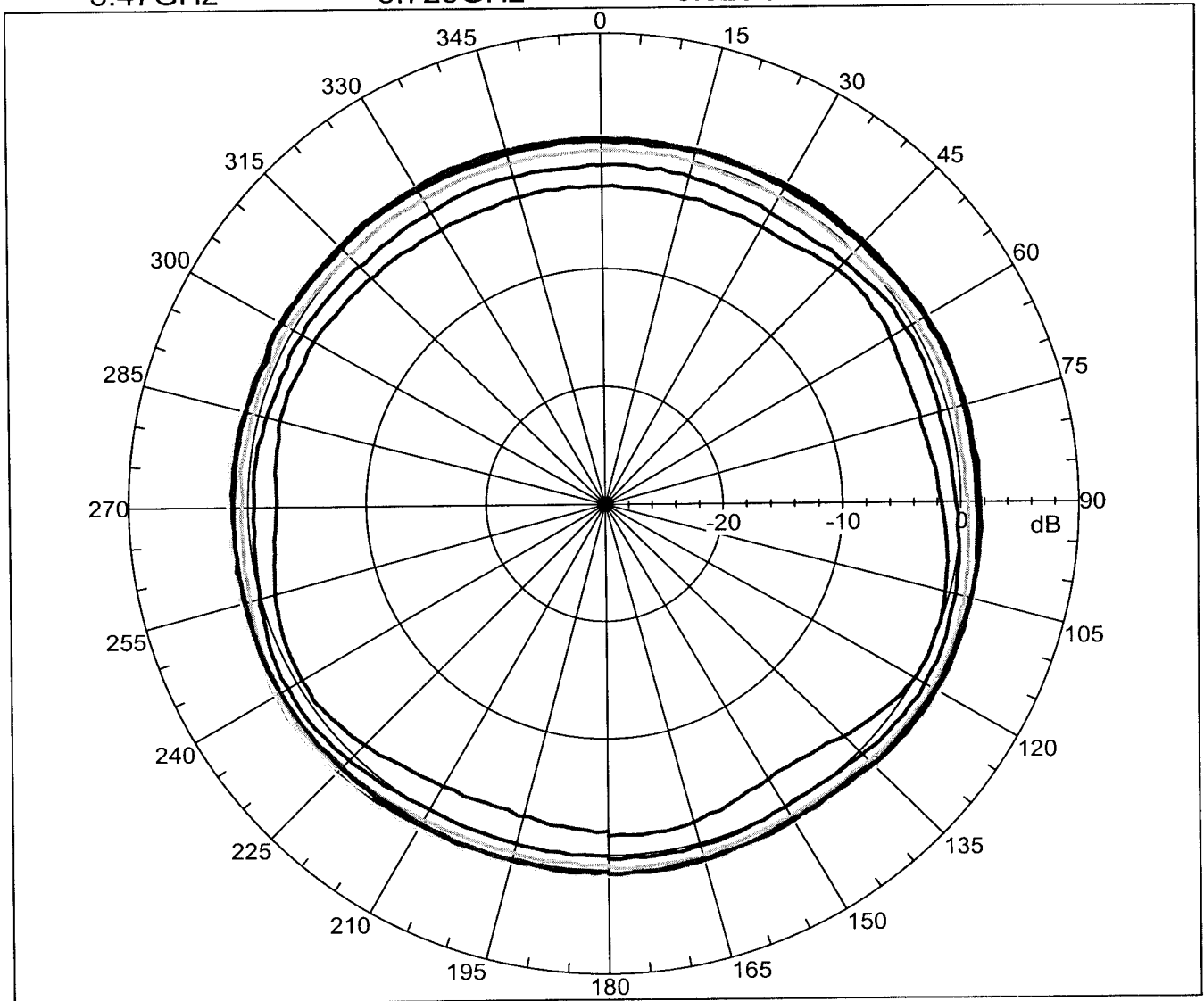




# 譚裕實業股份有限公司

## WHA YU INDUSTRIAL CO., LTD

Far-field amplitude of C147-510243-A -X2-H pettern.nsi



<b>PRODUCT SPECIFICATION</b>	ISSUED DATE	July.12, 2000	PAGE	1/2
	REVISION		REVISION NO.	

**PRODUCT NAME : Coaxial Cable**  
**RATING : -55°C ~ 200°C**  
**ITEM : RG 178 B/U**

誠謹

No.	Revised Date	Revised Details	Page	Report

REPORTED BY :

APPROVED BY :



Q.C Engineer HOON LEE



Q.C Manager SOON-MOK SHIN

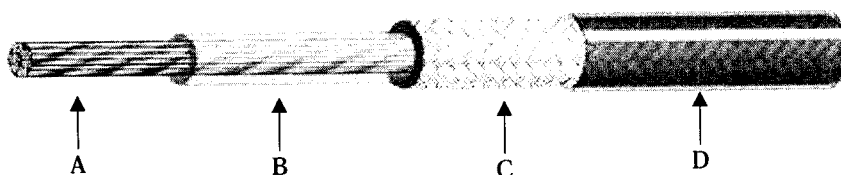


<b>PRODUCT SPECIFICATION</b>	ISSUED DATE	July.12, 2000	PAGE	2/2
	REVISION		REVISION NO.	

### 1. APPLICATIONS

This specification is applies to Coaxial Cable manufactured by the YOUNG CHANG SILICONE CO.,LTD

### 2. STRUCTURE



- A. Conductor: SCCS
- B. Insulation : PFA
- C. Shield : Silver-Plated Copper
- D. Jacket : FEP

### 3. DIMENSION

Conductor (SCCS)			Insulation		Shield		Jacket	
Structure	Cross sectional area	Diameter	Material	Diameter	Material	Diameter	Material	Diameter
Q'ty/mmφ	mm <sup>2</sup> (SQ)	mmφ		mmφ		mmφ		mmφ
7/0.102	0.06	0.30	PFA	0.84±0.05	SPC	1.25	FEP	1.80±0.10

### 4. ELECTRIC PROPERTIES

Impedance	Capacitance	Maximum Attenuation (dB/100ft)				Dielectric Sterngth
		100Mhz	400Mhz	1Ghz	3Ghz	
ohms	pF/ft(Max)					V/1min
50 ± 2	32	16.0	33.0	52.0	94.0	2000



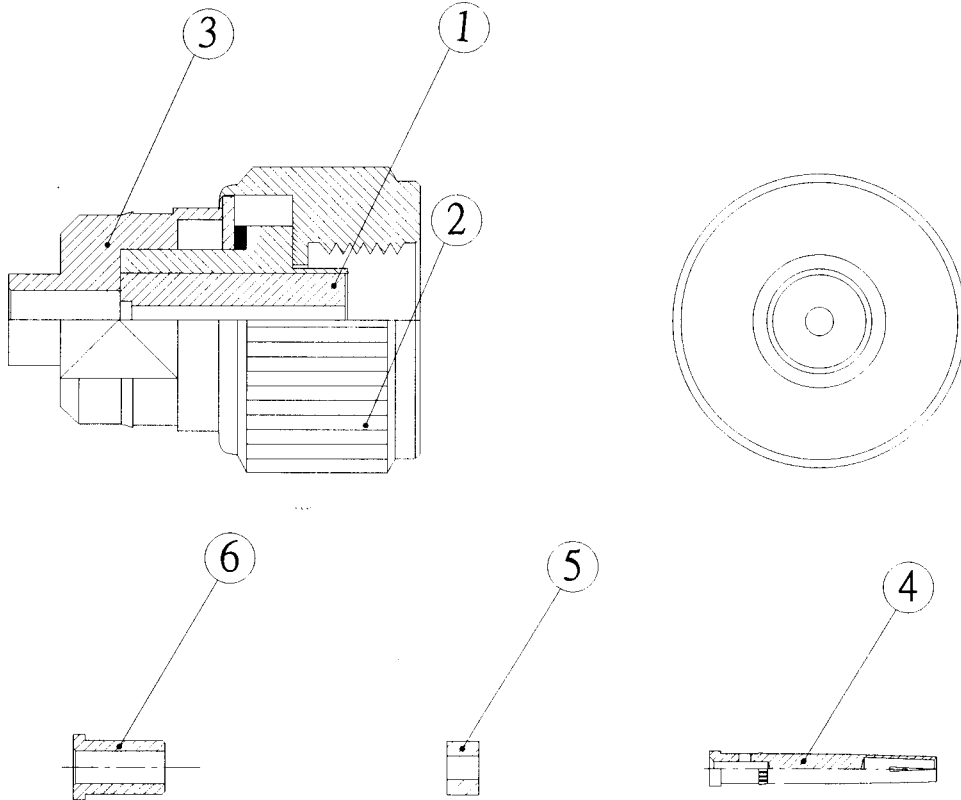
# 譚裕實業股份有限公司

WHA YU INDUSTRIAL CO., LTD

## Connector 材質證明書

譚裕料號 Whayu P/N	100-2001069-AZ	產品名稱 Product Name	Big SMA Plug Reverse Straight For RG-178
-------------------	----------------	----------------------	--

### 結構圖面



材質成份								表面處理
1	絕緣	Teflon	PTFE					N/A
2	外殼	Brass	Cu	Pb	Fe	Fe+Sn	Zn	電著
3	本體	Brass	Cu	Pb	Fe	Fe+Sn	Zn	鍍金
4	中心針	Phosphor Bronze	Cu	Sn	P	Zn	Pb	鍍金
5	絕緣	Teflon	PTFE					N/A
6	尾管	Brass	Cu	Pb	Fe	Fe+Sn	Zn	鍍鎳

Remark :	請蓋公司章
----------	-------