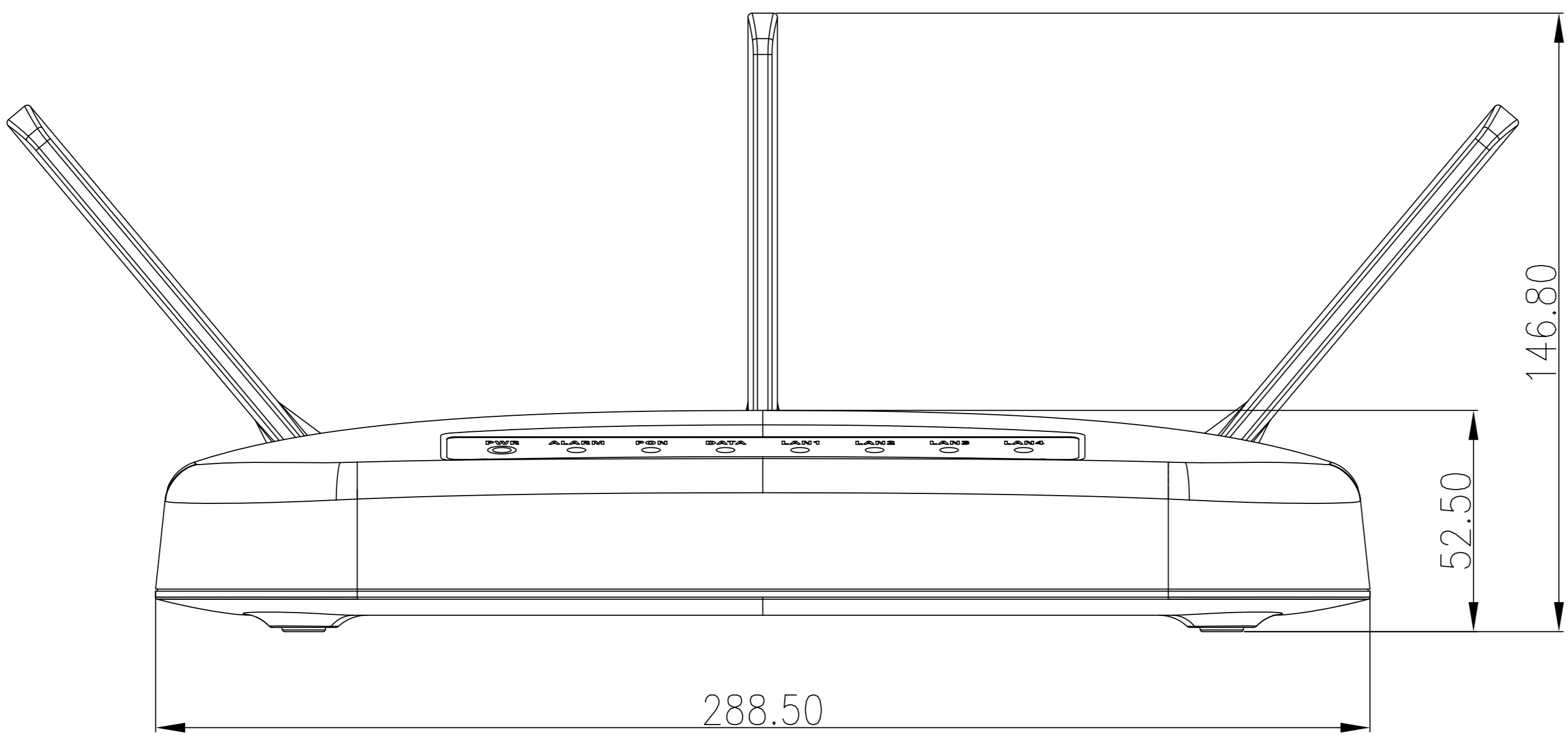
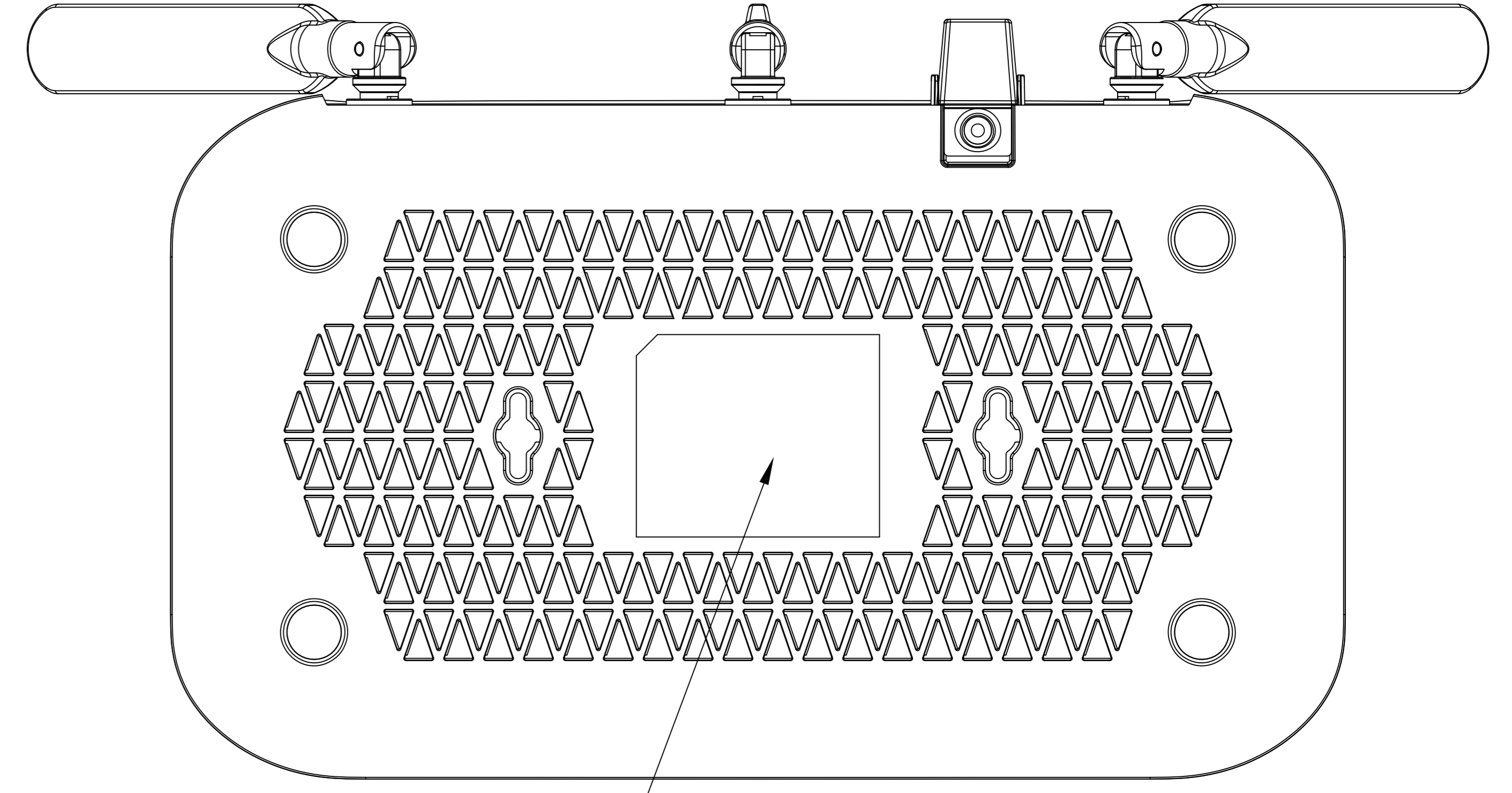
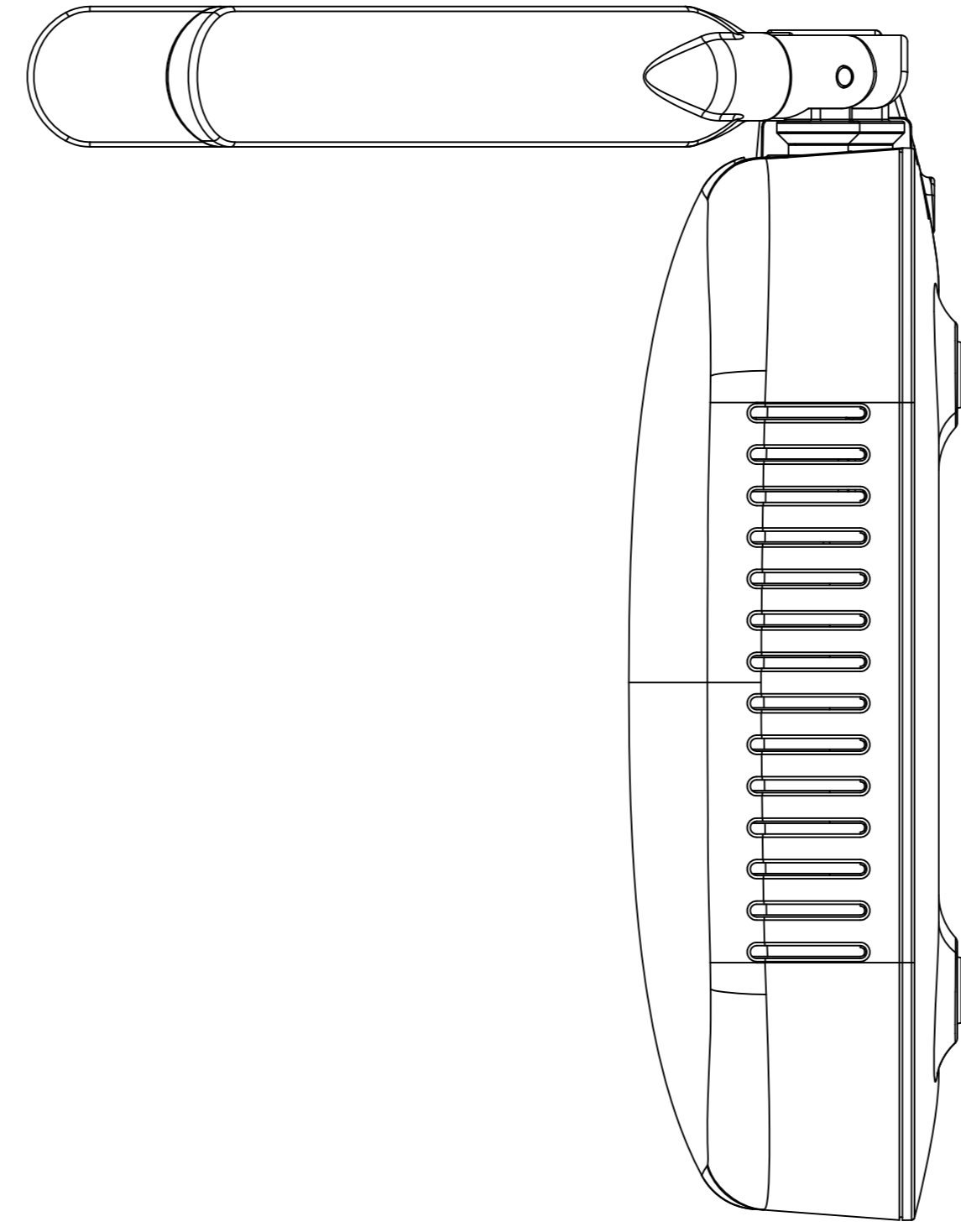
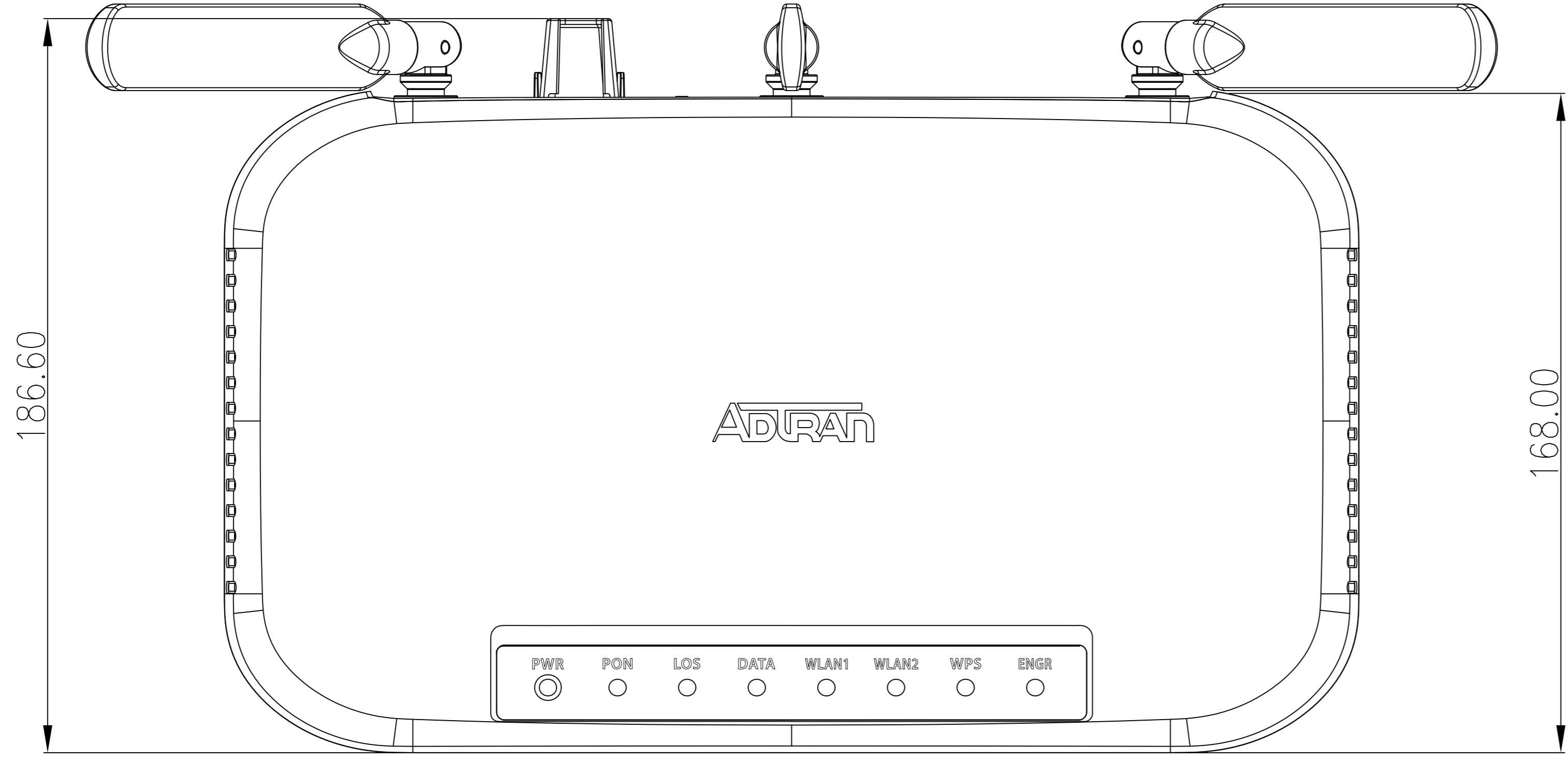
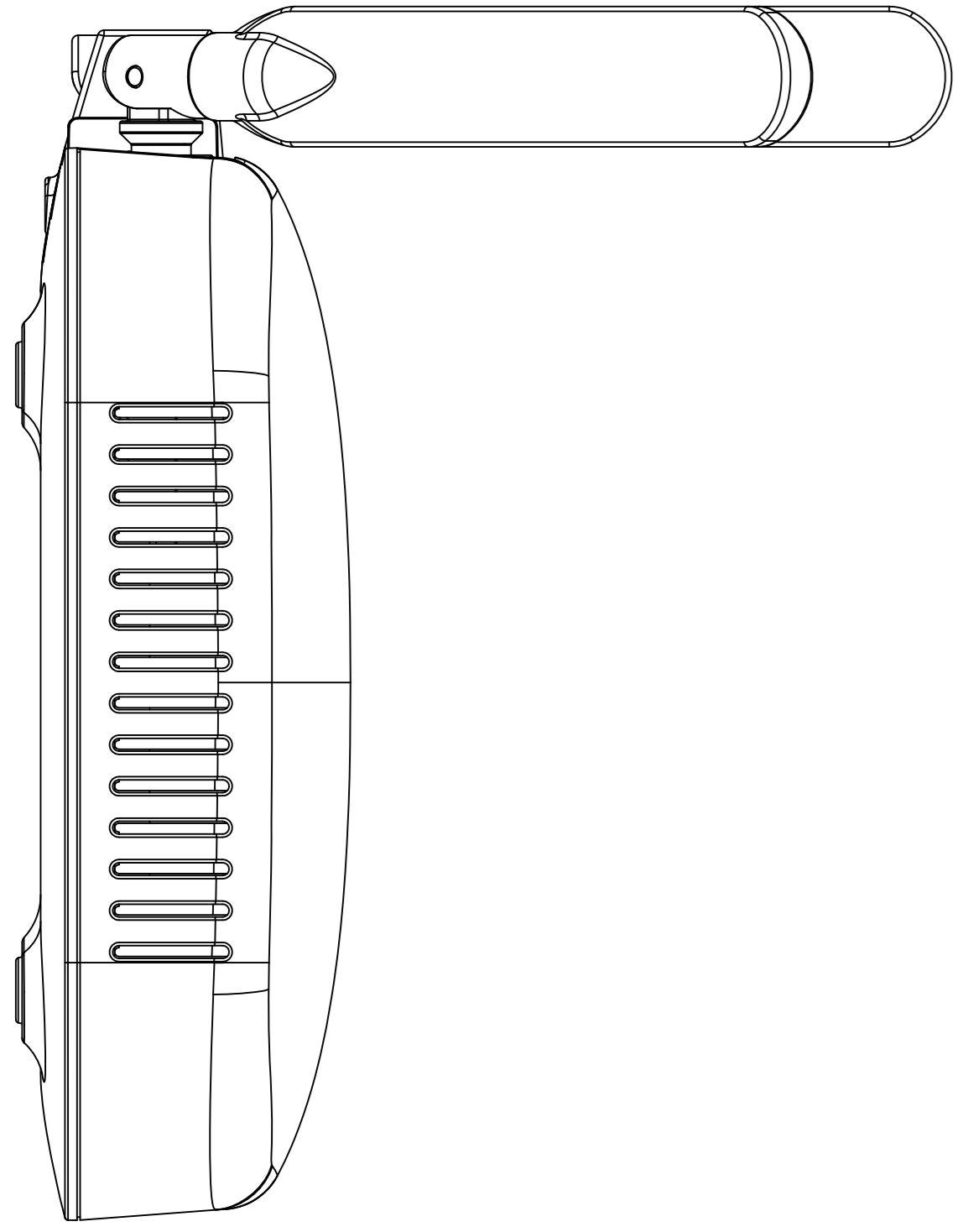
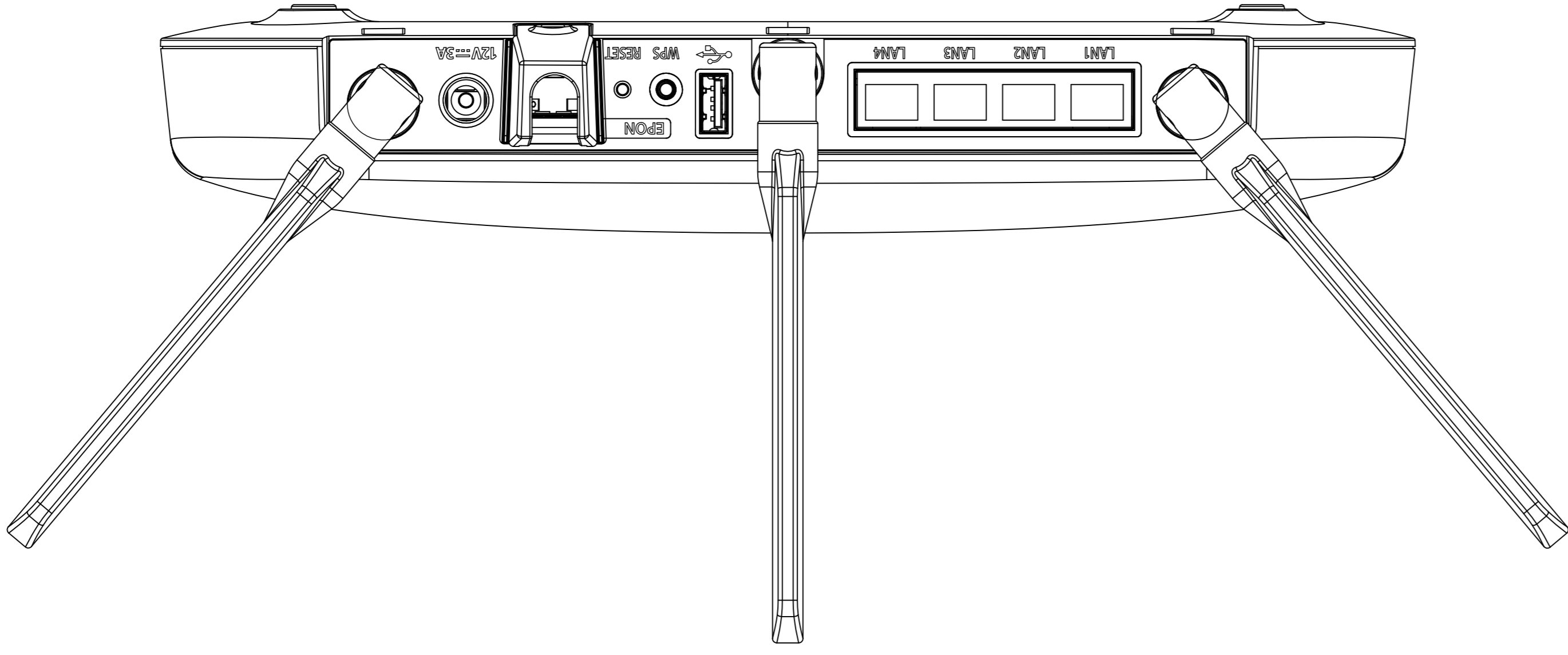




FCC ID Label Informaion

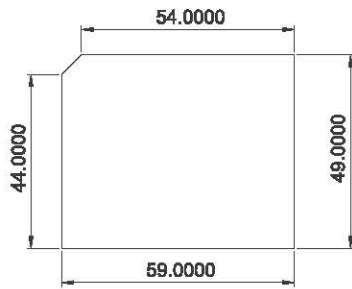


Label Attachment Location

■ 1004W

■ Label Dimension


59mm x 49mm





■ 1004W (optic module APC) Product Label


ADTRAN **MODEL : 1004W**
Rated Input : 12 V^{DC}, 3 A
Rev. B


P/N : 1761004WAF1


Serial No : 
XXXXXXXXXXXX


EPON MAC : 
AABBCCDDEEFF

MAC Addr : 
AABBCCDDEEFF

SSID : 
HOME2.4-2345

SSID : 
HOME5-2345

Passphrase : 
asdf1234ghjk


E130853
I.T.E.
4UV7

FCC ID :
HDC1004W

MADE IN KOREA

This device complies with Part 15 of the FCC Rules. Operation is subject to the following two conditions:
(1) this device may not cause harmful interference, and (2) this device must accept any interference received,
including interference that may cause undesired operations.

CAUTION : FOR INDOOR USE ONLY USE WITH APPROVED POWER ADAPTOR AS DESCRIBED IN THE USER MANUAL.

◀ Including APC Connector Type 10/10 ONU optics