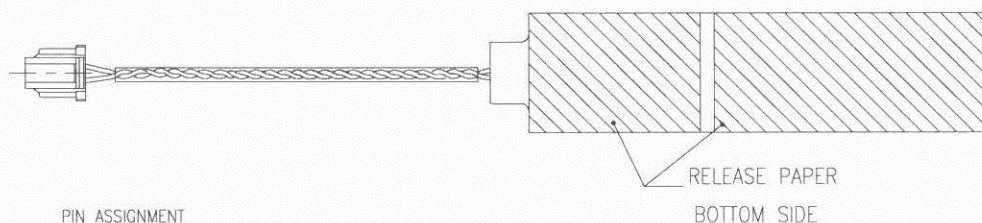
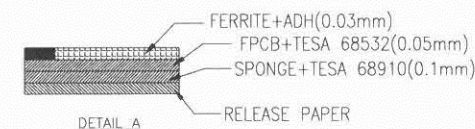
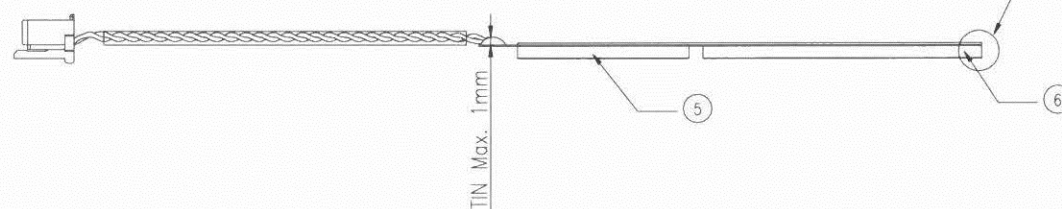
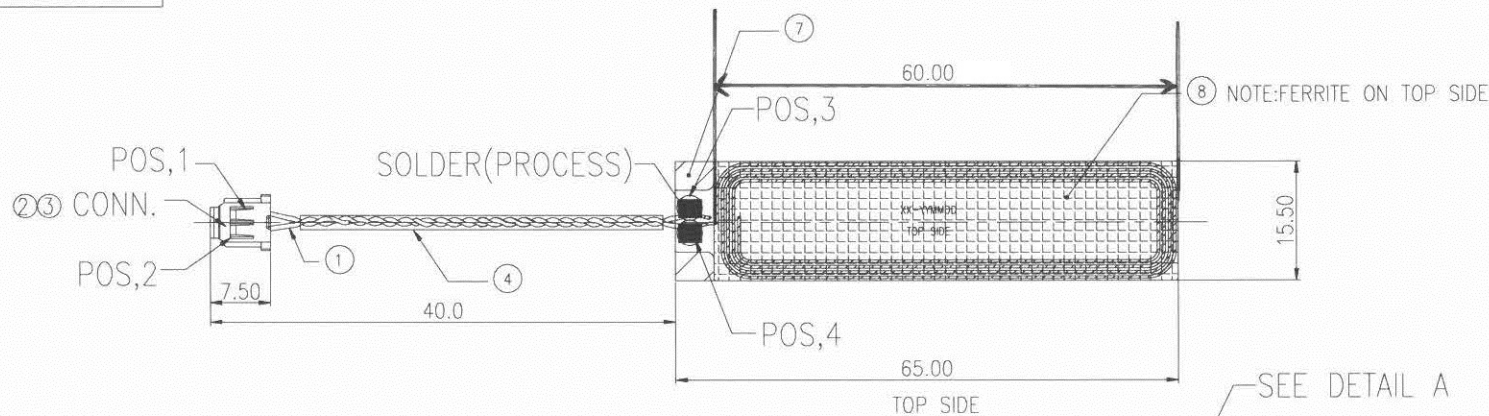


THIS DOCUMENT IS THE PROPERTY OF AMPHENOL CORPORATION AND IS LOANED TO THE EXPRESS OR UNDERSTANDING THAT IT IS NOT TO BE DISCLOSED, REPRODUCED OR USED IN WHOLE OR IN PART FOR MANUFACTURE OR SALE BY ANYONE OTHER THAN AMPHENOL CORPORATION WITHOUT ITS PRIOR CONSENT AND THAT NO RIGHT IS GRANTED TO DISCLOSE OR TO USE ANY INFORMATION IN THIS DOCUMENT.

SYM	REV	DESCRIPTION	REVISIONS DATE	DONE BY
TA	00	DRAWING AS ISSUED	XXXX/XX/XX	XXX



PIN ASSIGNMENT			
CONN.	COLOR	FPCB	POSITION
RED 1			3
BLACK 2			4

NOTES: (UNLESS OTHERWISE SPECIFIED)

DRAWING INTERPRETATION

1. GEOMETRIC DIMENSIONING AND TOLERANCING SYMBOLOLOGY PER ASME Y14.5M-1994.
2. THIS IS A PARTIALLY DIMENSIONED DRAWING USED IN CONJUNCTION WITH THE 2D DRAWING MODEL. TOLERANCES OF UNSPECIFIED DIMENSIONS MUST FOLLOW TOLERANCE TABLE.
3. DIMENSIONS INSPECTION (100%) REPORT ON FIRST ARTICLE PER SQA/9-11-01 OR CUSTOMER INSPECTION FORMAT.
4. [C] INDICATES A CRITICAL DIMENSION.
[*] INDICATES A CRITICAL DIMENSION WHOSE CPK IS NOT MANDATORY FOR MASS PRODUCTION, WHILE IT IS NEEDED WHEN PART APPROVAL CPK VALUE: 1.4 AND A MINIMUM CP OF 1.8 FOR THREE LOTS.

TOOL DESIGN AND PROCESSING

5. FINISHED ASSEMBLY TO BE CLEAN AND FREE OF ALL FOREIGN MATERIAL, DIRT, OIL, GREASE OR OTHER CONTAMINANTS.
6. MATERIAL USED FOR ASSEMBLY MUST MEET FLAMMABILITY RATING OF UL.
7. MATERIAL USED MUST BE HALOGEN FREE AND MEET ROHS SPECIFICATIONS.

Number of turn of loop antenna: 4
Antenna Gain: -40 dBi

ITEM	PART NUMBER	PART NAME	MATERIAL	QTY	REMARKS
8	C-5794-12-001-43	FERRITE	FERRITE T= 0.26	1	
7	C-5794-12-001-45	FPCB	MIL PH+0.5MIL ADH +1T OZ ED CU(2 LAYERS) + SOLDER MASK+TESA 68532	1	
6	C-5794-12-002-43	SPONGE_02	SRS 40P T=1.5mm+TESA 68910 T=0.1mm Dim.=36.05x15.5x1.6mm; COLOR: BLACK	1	
5	C-5794-12-003-43	SPONGE_01	SRS 40P T=1.5mm+TESA 68910 T=0.1mm Dim.=22.15x15.5x1.6mm; COLOR: BLACK	1	
4	C-5794-15-001-86	HEAT SHRINKAGE TUBE	MATERIL: UL #1.5 HEAT-SHRINKAGE TUBE L=30MM, COLOR: BLACK	1	
3	C-5794-12-001-46	TERMINAL	MOLEX P/N:50212-8000 COLOR: SILVER	1	
2	C-5794-12-001-47	PLUG HOUSING	MOLEX P/N:35507-0200 COLOR: NATURE	1	
1	C-5794-12-001-72	WIRE	WIRE:UL10064 28AWG OD:0.6mm RED/BLACK	AR(M)	

TOLERANCE TABLE BY RANGE DEFINE #	A	B	C
0-6	±0.05	±0.1	±0.2
6-30	±0.1	±0.2	±0.5
30-120	±0.15	±0.3	±0.8
120-400	±0.2	±0.5	±1.2
400-1000	±0.3	±0.8	±2

APPROVAL	DATE

TITLE		Amphenol	
ASSY,NFC ANT,VM1A		TAWAN MOBILE ANTENNA TEAM	
SIZE	A4	SHEET	1 OF 1
PROJECT	5794	DRAWING NO. US5794-12-001-C-7A00	