

Date 2018-12-10

To: SGS North America Inc.
620 Old Peachtree Road
SUITE 100
Suwanee, Georgia
United States

Subject: **FCC Class II Permission Change Request for FCC ID: HD5-HAQ**

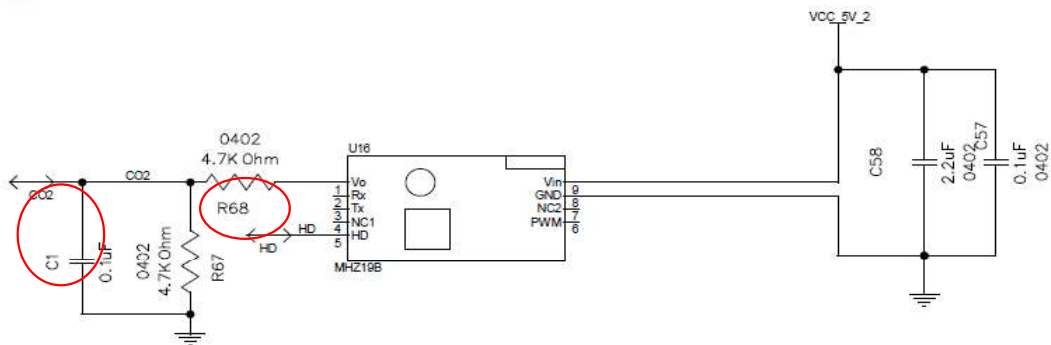
Dear Sir/Madam,

This is to request a Class II Permission Change Request for FCC ID: HD5-HAQ, originally granted on 2018/05/24.

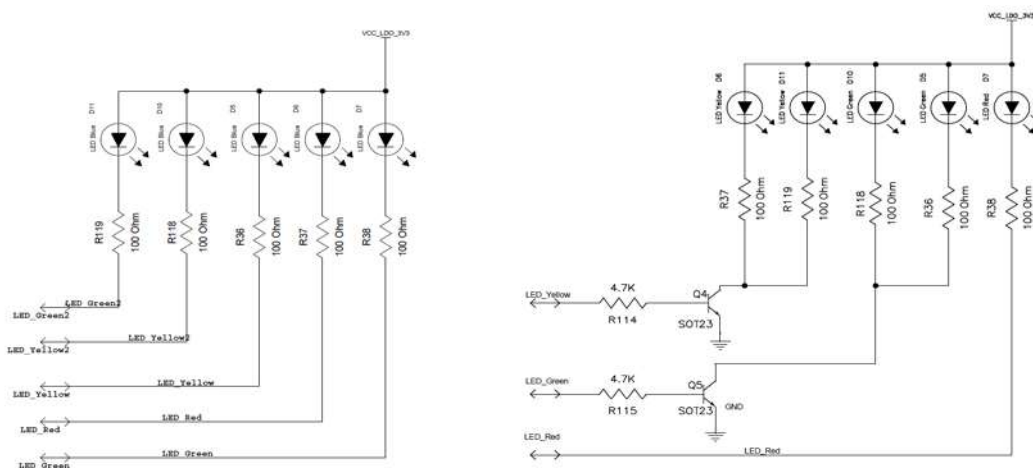
The Major change filed under this application is

1. Schematic diagram design change:

- (1) Add a filter capacitor C1, add a connection (HD) from U16 Pin5 to MCU pin59



- (2) Modify LED control circuit

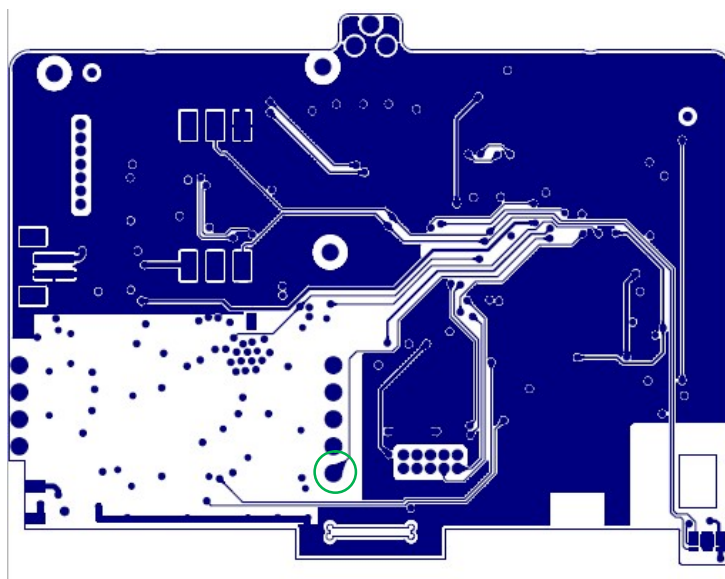
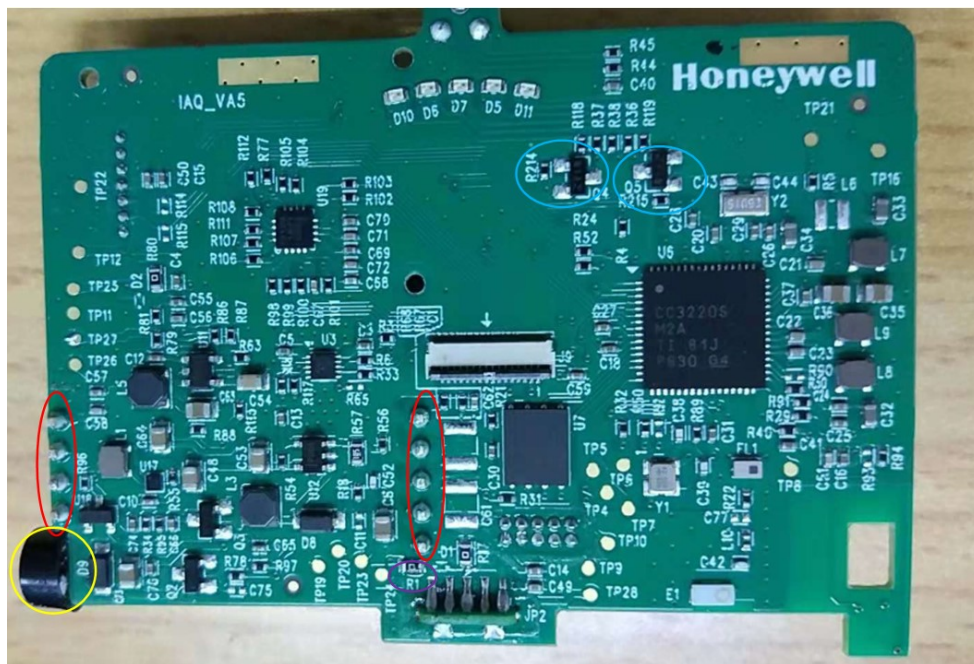


Old design

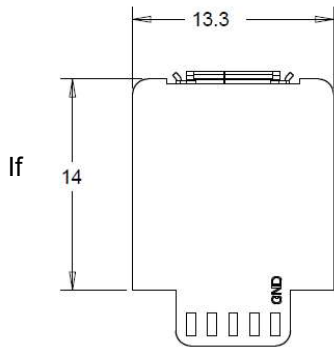
New design

2. PCB design change

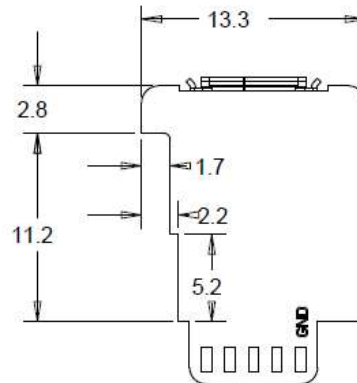
- (1) CO2 sensor (U16) move down 0.7mm, in red circle
- (2) Buzzer JP1 move left 0.6mm, in yellow circle
- (3) R1 move down 0.6mm. in purple circle
- (4) Add resistor R214 and R215, transistor Q4 and Q5, in blue circle
- (5) Add a wire from U16 pin5 to MCU pin59, in green circle



(6) USB board change



Old design



New design

3. Mechanical design change

Delete 2 plastic reinforcement



Old Design



New design

If you have any questions regarding this application, please free to contact me.

Yours Sincerely,

Signature

11-December-2018

Contact name: Michael Robinson

Company Name: Honeywell International Inc.