

**ScanPal™ Mobile Computer Series**

EDA60K-0 Quick Start Guide



EDA60K-SC-QS Rev A  
DEC/26/2017

Please check to see if it contains the following items:

- ScanPal EDA60K Mobile Computer;
- Main battery (3.7V, lithium-ion battery);
- 10W battery adapter;
- Interchangeable adapter plug;
- USB power cable;
- Quick Start Guide.

Remarks:

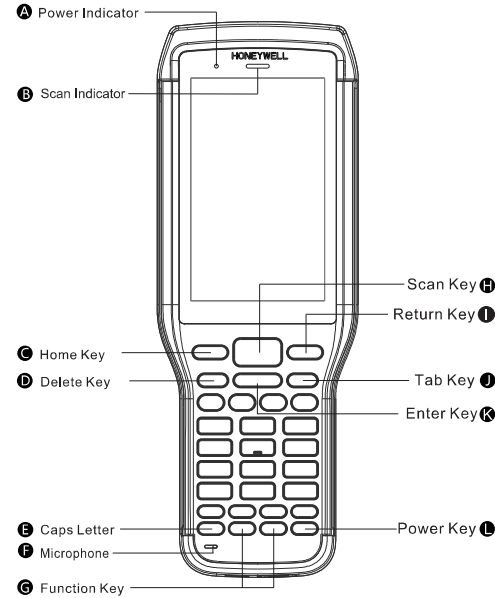
If you ordered accessories for the terminal, please make sure they are also included in the package; be sure to keep the original packages for ScanPal™ EDA60K to be returned for repairing when necessary.

Disclaimer:

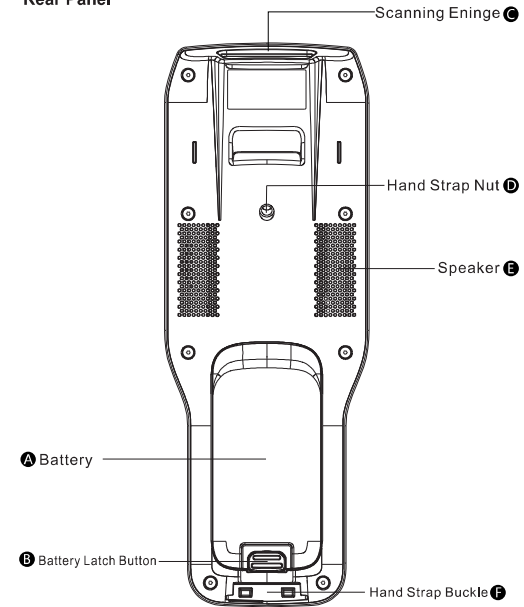
The manufacturer shall not be held responsible for any consequences arising from the user's failure to follow the above recommendations or erroneous use of the mobile phone. Our product's operating system supports updates in official system. If the user adopts a third-party ROM system or make any revisions to the operating system through for example jail breaking, the system may be rendered unstable, in which case our company will not Power indicator provide support to the user or bear any responsibility.

EDA60K belongs to ScanPal™ Series

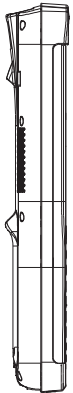
**Front Panel**



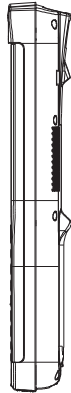
**Rear Panel**



**Left Side View**



**Right Side View**



**Bottom View**



A Charge Point      B USB Cover

**Install the Main Battery**

Replace the battery with wrong models may cause explosion. Please make sure to use the battery in accordance with local regulations.

Please recycle the battery when possible.

Do not dispose it as household waste

Please ensure all kits are dry when connect the mobile device or battery to external devices.

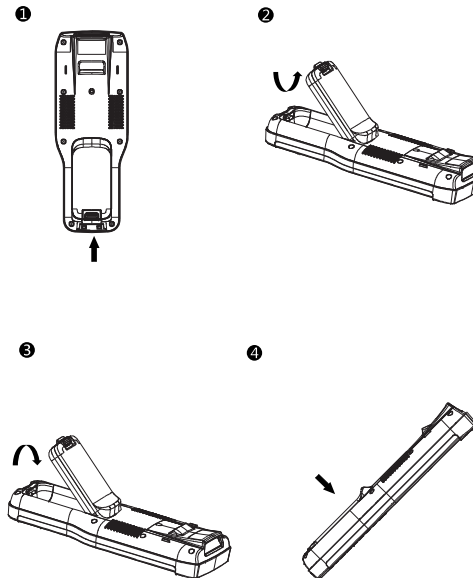
Damages caused by connecting wet kits are not covered by the warranty.

ScanPal™ EDA60K comes with a battery in a separate package. Please follow the steps below to install the battery.

1. Press down the battery lock button to unlock the battery;
2. Remove the battery as the arrow on the way;
3. Insert the battery (Insert the non-battery lock button side first in the direction of the arrow.)
4. Press down the back of battery in the direction of arrow, then the battery latch can be locked.

Remarks:

Refer to the illustrated installation steps on the following page.

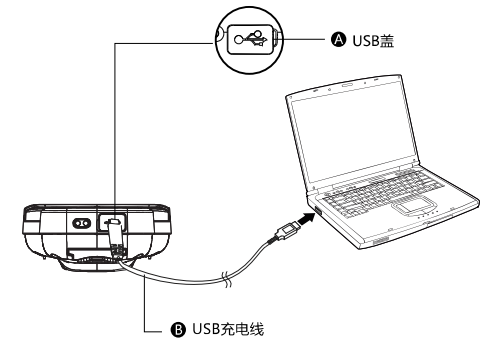


**Charging / Sync**

**Synchronous Communication**

Open the USB cover of EDA60K;

Connect the EDA60K to the computer with USB cable.



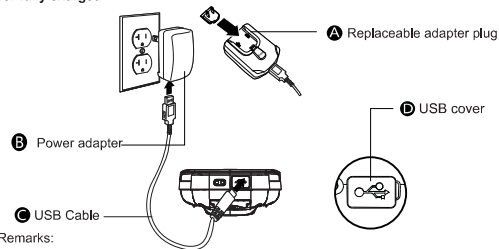
## Charging / Sync

### Charging

1. Open the USB cover of ScanPal™ EDA60K ;
2. Connect the ScanPal™ EDA60K to computer with USB cable ;
3. Make sure the replaceable adapter plug plugged into the power adapter;
4. Connect the power adapter to the wall plug and start charging for ScanPal™ EDA60K .

**Get ScanPal™ EDA60K charged for at least 4 hours before using it, subject to your battery models.**

**Using the terminal while charging will significantly extend the time required for fully charged.**



### Remarks:

It's recommended to use Honeywell's peripherals, batteries, USB charging cables and power adapters.

Damages caused by using non-Honeywell peripherals, batteries, USB charging cables or power adapters are not covered by the warranty.

### Warnings:

Please make sure all kits are dry when use the terminal and battery with other accessories.

Damages caused by using wet kits may not be covered by the warranty.

## Suspend / Wake Up the Terminal

### Suspend / Wake Up the Terminal

Press the power button and then release (less than 2 seconds)

To wake up the device from sleep mode, press the power button and then release (less than 2 seconds)

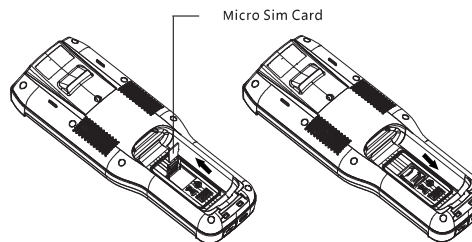
### ScanPal™ EDA60K Power Indicator

The status of power indicators in non-charging and charging process are illustrated as below:

Non- charging process	
Off	Battery power is normal
Flashing orange	Battery power is low
Charging process	
Constant green	Charging complete
Flashing green	During charging process, and the charging is about to be completed
Orange	During charging process, and the battery power is still low
Flashing red	Battery is abnormal

## Install Micro Sim Card

1. Power off;
2. Press down the battery latch button to remove the battery;
3. Slide the Sim Card cover and unlock the Sim card in the direction of arrow, then open the Sim Card cover;
4. Insert the Micro Sim Card to the card slot;
5. Reposition the card slot, then slide the card slot and lock the Sim Card;
6. Press down the back of battery then the battery can be locked;
7. Power on.

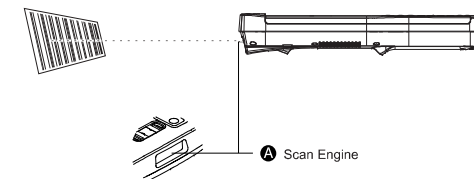


## Use Scan Engine

**Align the aiming beam with the barcodes, and adjust the angle between the beam and the barcodes to get the best results.**

**The best scan distance relate to scan engine model.**

1. Click the demo application on the interface, and then select Scan demo program;
2. Click Scan on the screen or press the Scan Button;
3. Align ScanPal™ EDA60K with the barcodes;
4. Adjust the aiming beam: in order to obtain the best performance, avoid scanning in a slight angle and slowly move the beam on the barcodes by scanning the reflection of the barcodes;
5. The terminal will beep when the barcodes are successfully decoded, which means the information included in the barcode has been obtained by the terminal

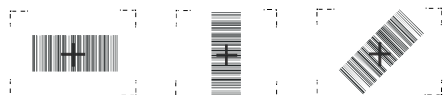


## Aiming Beam

**The aiming beam gets narrower when the terminal gets closer to the barcodes, while it gets wider when the terminal gets farther from the barcodes.**

The smaller the barcodes, the closer the aiming beams should get to the barcodes  
The bigger the barcodes, the father the aiming beams should get to the barcodes

### Beam positions when scan 2D images



## Technical Support

For information about technical support, after-sales service and maintenance, please visit [www.honeywellaidc.com](http://www.honeywellaidc.com) .

### User Documents

For the local version of this article, please visit [www.honeywellaidc.com](http://www.honeywellaidc.com) .

### Patents

For information on patents, please refer to [www.honeywellaidc.com/patents](http://www.honeywellaidc.com/patents).

### Warranty

Please log into [www.honeywellaidc.com/warranty\\_information](http://www.honeywellaidc.com/warranty_information) for warranty information on your product.

### Disclaimer

Honeywell International Inc. reserves the rights to modify the specifications and other information mentioned above without prior notification.  
Readers should consult Honeywell International Inc. to make sure if any changes made any time they read this article.

The information in this article does not represent any commitments of Honeywell International Inc.

Honeywell International Inc. is not responsible for direct or indirect loss caused by any technical or editing errors or omissions contained in this article.

The proprietary information contained in this article is protected by copyright.

All rights reserved.

Without prior written consent from Honeywell International Inc., any form of photocopy, copy or translation into other languages for any part of this article is not allowed.

**All Rights Reserved by Honeywell International Inc.**  
Website: [www.honeywellaidc.com](http://www.honeywellaidc.com)

# Honeywell

1. This device complies with Part 15 of the FCC Rules. Operation is subject to the following two conditions: 1) this device may not cause harmful interference and 2) this device must accept any interference received, including interference that may cause undesired operation of the device.

This equipment has been tested and found to comply with the limits for a Class B digital device, pursuant to part 15 of the FCC rules. These limits are designed to provide reasonable protection against harmful interference in a residential installation.

This equipment generates, uses and can radiate radio frequency energy and, if not installed and used in accordance with the instructions, may cause harmful interference to radio communications. However, there is no guarantee that interference will not occur in a particular installation. If this equipment does cause harmful interference to radio or television reception, which can be determined by turning the equipment off and on, the user is encouraged to try to correct the interference by one or more of the following measures:

-Reorient or relocate the receiving antenna.

-Increase the separation between the equipment and receiver.

-Connect the equipment into an outlet on a circuit different from that to which the receiver is connected.

-Consult the dealer or an experienced radio/TV technician for help.

You are cautioned that changes or modifications not expressly approved by the party responsible for compliance could void the user's authority to operate the equipment.

The SAR limit adopted by USA is 1.6 watts/kg (gram Weight) averaged over one gram of tissue. The highest SAR value reported to the Federal Communications Commission (FCC) for this device type when it is properly worn on the body is 1.245 W /kg.

FCC RF Radiation Exposure Statement:

1. This Transmitter must not be co-located or operating in conjunction with any other antenna or transmitter.

2. For body worn operation, this device has been tested and meets FCC RF exposure guidelines. When used with an accessory that contains metal may not ensure compliance with FCC RF exposure guidelines.

#### Canada, Industry Canada (IC)

#### Canada, Industrie Canada (IC)

This Class B digital apparatus complies with Canadian ICPS-003.

Cet appareil numérique de classe B est conforme à la norme NMB-003.

#### Canadian Notice

This device complies with Industry Canada license-exempt RSS standard(s). Operation is subject to

the following two conditions:

(1) This device may not cause interference, and

(2) this device must accept any interference, including interference that may cause undesired operation of the device.

#### Avis Canadien

Le présent appareil est conforme aux CNR d'Industrie Canada applicables aux appareils radio exempts de licence. L'exploitation est autorisée aux deux conditions suivantes :

(1) l'appareil ne doit pas produire de brouillage, et

(2) l'utilisateur de l'appareil doit accepter tout brouillage radioélectrique subi, même si le brouillage est susceptible d'en compromettre le fonctionnement.

Operation in the band 5150-5250 MHz is only for indoor use to reduce the potential for harmful interference to co-channel mobile satellite systems.

La bande 5150-5250 MHz est réservée uniquement pour une utilisation à l'intérieur afin de réduire les risques de brouillage préjudiciable aux systèmes de satellites mobiles utilisant les mêmes canaux.

For the frequency 5600-5650 MHz, no operation is permitted

Pour la fréquence 5600-5650 MHz, aucune opération est autorisée.

#### RF Radiation Exposure Statement:

For body worn operation, this phone has been tested and meets RF exposure guidelines when used with an accessory that contains no metal. Use of other accessories may not ensure compliance with RF exposure guidelines.

#### Déclaration de l'exposition aux radiations RF:

Pour le fonctionnement du corps, ce téléphone a été testé et répond aux directives d'exposition RF lorsqu'il est utilisé avec un accessoire qui ne contient pas de métal. Utilisation d'autres accessoires peut ne pas assurer le respect des directives d'exposition RF.

#### Exposure of humans to RF fields (RSS-102)

The computers employ low gain integral antennas that do not emit RF field in excess of Health Canada limits for the general population; consult Safety Code 6,

obtainable from Health Canada's Web site at <http://www.hc-sc.gc.ca/>

The radiated energy from the antennas connected to the wireless adapters

conforms to the IC limit of the RF exposure requirement regarding IC-RSS-102,

Issue 5 clause 4.

#### Conformité des appareils de radiocommunication aux limites

#### d'exposition humaine aux radiofréquences (CNR-102)

L'utilisateur utilise des antennes intégrées à faible gain qui n'émettent pas un

champ électromagnétique supérieur aux normes imposées par Santé Canada

pour la population. Consultez le Code de sécurité 6 sur le site Internet de Santé

Canada à l'adresse suivante : <http://www.hc-sc.gc.ca/>

L'énergie émise par les antennes reliées aux cartes sans fil respecte la limite

d'exposition aux radiofréquences telle que définie par Industrie Canada dans la

clause 4.1 du document CNR-102, version 5.

RoHS 指令 允准证明: <https://www.honeywell.com/abou-us/uk/rohs-uk> 欧洲联盟的指令 在欧盟范围内。

#### Honeywell Scanning & Mobility Product Environmental Information

Refer to [www.honeywell.com/environmental](http://www.honeywell.com/environmental) for the RoHS / REACH / WEEE information.