



# CN85-WL-6DESK

---

Wireless Charge Rack, Vertical

## Quick Start Guide

## Agency Model

CN85-WL-6DESK

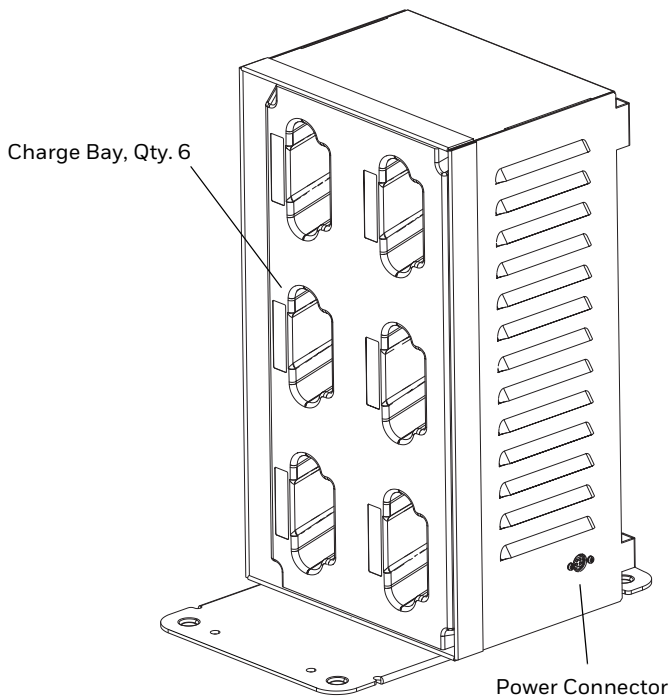
## Out of the Box

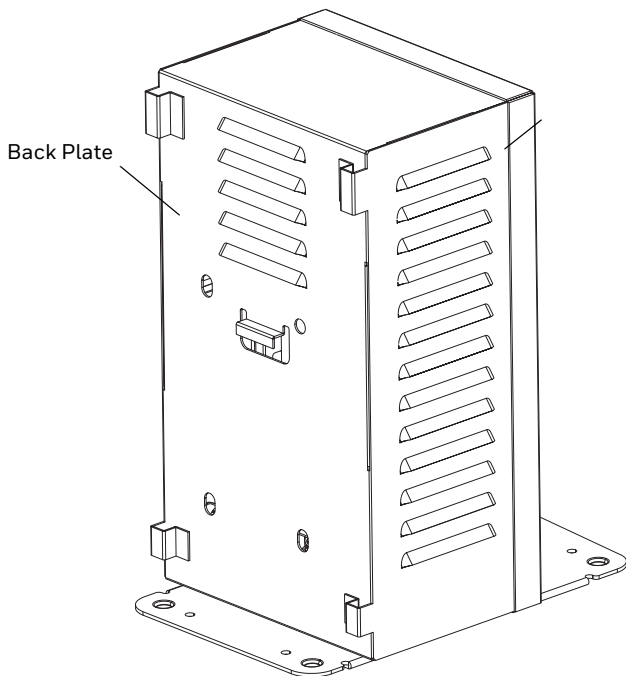
Make sure that your shipping box contains these items:

- DIAD 6, Charge Rack (CN85-WL-6DESK)
- Power Supply and Power Cable
- Product Documentation

If you ordered accessories for your device, verify that they are also included with the order. Be sure to keep the original packaging in case you need to return the device for service.

## Charge Rack Features





## Connect Power

The Charge Rack ships with a 12VDC, 8.5A power supply manufactured for Honeywell International Inc.

1. Connect the power cord to the power supply.
2. Connect the power supply to the Charge Rack. For connector location, see [Charge Rack Features](#) on page 2.
3. Connect the power cord to grounded power source (electrical outlet).



**We recommend the use of Honeywell accessories and power adapters. Use of any non-Honeywell accessories or power adapters may cause damage not covered by the warranty.**

**Nous recommandons d'utiliser des accessoires et des adaptateurs secteur de marque Honeywell. L'utilisation de tout accessoire ou adaptateur secteur d'une autre marque est susceptible de provoquer des dommages non couverts par la garantie.**

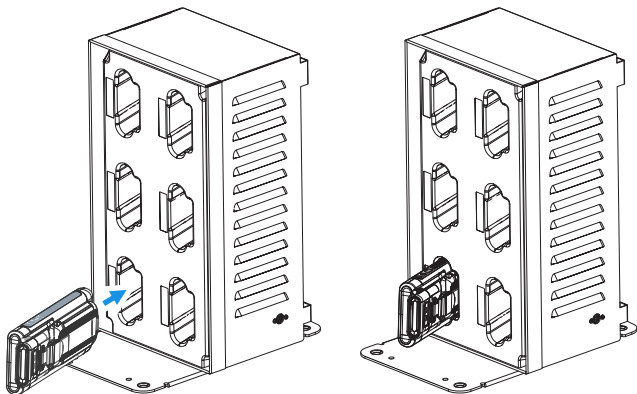
## Charge Mobile Computer

After installing the battery in the CN85, insert the computer into one of the six charging bays.



**Ensure all components are dry prior to mating the computers and batteries with peripheral devices. Mating wet components may cause damage not covered by the warranty.**

**Assurez-vous que tous les composants sont secs avant de raccorder les ordinateurs et les batteries à des périphériques. L'insertion de composants humides risque de provoquer des dommages non couverts par la garantie.**



## Support

To search our knowledge base for a solution or log into the Technical Support Portal and report a problem, go to [www.hsmcontactsupport.com](http://www.hsmcontactsupport.com).

## Documentation

Product documentation is available at [www.honeywellaidc.com](http://www.honeywellaidc.com).

## Limited Warranty

For warranty information, go to [www.honeywellaidc.com](http://www.honeywellaidc.com) and click **Resources > Product Warranty**.

## Patents

For patent information, see [www.hsmpats.com](http://www.hsmpats.com).

## Trademarks

Android is a trademark of Google LLC.

## Disclaimer

Honeywell International Inc. (“HII”) reserves the right to make changes in specifications and other information contained in this document without prior notice, and the reader should in all cases consult HII to determine whether any such changes have been made. The information in this publication does not represent a commitment on the part of HII.

HII shall not be liable for technical or editorial errors or omissions contained herein; nor for incidental or consequential damages resulting from the furnishing, performance, or use of this material. HII disclaims all responsibility for the selection and use of software and/or hardware to achieve intended results.

This document contains proprietary information that is protected by copyright. All rights are reserved. No part of this document may be photocopied, reproduced, or translated into another language without the prior written consent of HII.

Copyright © 2021 Honeywell International Inc. All rights reserved.



## **Agency Information**

USA



### **FCC Part 15 Subpart B Class B**

This device complies with part 15 of the FCC Rules. Operation is subject to the following two conditions: (1) This device may not cause harmful interference, and (2) this device must accept any interference received, including interference that may cause undesired operation.

This equipment has been tested and found to comply with the limits for a Class B digital device, pursuant to Part 15 of the FCC Rules. These limits are designed to provide reasonable protection against harmful interference in a residential installation. This equipment generates, uses and can radiate radio frequency energy and, if not installed and used in accordance with the instructions, may cause harmful interference to radio communications.

However, there is no guarantee that interference will not occur in a particular installation.

• If this equipment does cause harmful interference to radio or television reception, which can be determined by turning the equipment off and on, the user is encouraged to try to correct the interference by one or more of the following measures:

- Reorient or relocate the receiving antenna.
- Increase the separation between the equipment and receiver.
- Connect the equipment into an outlet on a circuit different from that to which the receiver is connected.
- Consult the dealer or an experienced radio/TV technician for help.

### ***Canadian Compliance***

This Class B digital apparatus complies with Canadian ICES-003. Operation is subject to the following two conditions: (1) this device may not cause harmful interference, and (2) this device must accept any interference received, including interference that may cause undesired operation.

### ***Conformité à la réglementation canadienne***

Cet appareil numérique de la Classe B est conforme à la norme NMB-003 du Canada. Son fonctionnement est assujéti aux conditions suivantes : (1) Cet appareil ne doit pas causer de brouillage pr éjudi- cible. (2) Cet appareil doit pouvoir accepter tout brouillage re çu, y compris le brouillage pouvant causer un fonctionnement ind ésirable.

### ***Europe***



In accordance with Article 10.2 in Directive 2014/53/EU (RED), this device can be operated in at least one Member State without infringing applicable requirements on the use of radio spectrum.

## ***Agency Information***

*USA*



***FCC Part 15 Subpart B  
Class B***

This device complies with part 15 of the FCC Rules. Operation is subject to the following two conditions: (1) This device may not cause harmful interference, and (2) this device must accept any interference received, including interference that may cause undesired operation.

This equipment has been tested and found to comply with the limits for a Class B digital device, pursuant to Part 15 of the FCC Rules. These limits are designed to provide reasonable protection against harmful interference in a residential installation. This equipment generates, uses and can radiate radio frequency energy and, if not installed and used in accordance with the instructions, may cause harmful interference to radio communications.

However, there is no guarantee that interference will not occur in a particular installation.

- If this equipment does cause harmful interference to radio or television reception, which can be determined by turning the equipment off and on, the user is encouraged to try to correct the interference by one or more of the following measures:

- Reorient or relocate the receiving antenna.

- Increase the separation between the equipment and receiver.

- Connect the equipment into an outlet on a circuit different from that to which the receiver is connected.

- Consult the dealer or an experienced radio/TV technician for help.

### **RF Exposure**

The equipment complies with FCC RF exposure limits set forth for an uncontrolled environment. This equipment must be installed and operated in accordance with provided instructions and the antenna(s) used for this transmitter must be installed to provide a separation distance of at least 15 cm from all persons and must not be co-located or operating in conjunction with any other antenna or transmitter.

## ***Canadian Compliance***

This Class B digital apparatus complies with Canadian ICES-003. Operation is subject to the following two conditions: (1) this device may not cause harmful interference, and (2) this device must accept any interference received, including interference that may cause undesired operation.

## ***Conformité à la réglementation canadienne***

Cet appareil numérique de la Classe B est conforme à la norme NMB-003 du Canada. Son fonctionnement est assujéti aux conditions suivantes : (1) Cet appareil ne doit pas causer de brouillage préjudiciable. (2) Cet appareil doit pouvoir accepter tout brouillage reçu, y compris le brouillage pouvant causer un fonctionnement indésirable.

## **IC RF Radiation Exposure**

This equipment complies with IC radiation exposure limits set forth for an uncontrolled environment. This equipment should be installed and operated with minimum distance 10 cm between the radiator & your body.

## **Déclaration d'exposition aux radiations**

Cet équipement est conforme aux limites d'exposition aux rayonnements IC établies pour un environnement non contrôlé. Cet équipement doit être installé et utilisé avec un minimum de 10 cm de distance entre la source de rayonnement et votre corps.

## ***Europe***

**CE** In accordance with Article 10.2 in Directive 2014/53/EU (RED), this device can be operated in at least one Member State without infringing applicable requirements on the use of radio spectrum.

**CE** Honeywell International Inc., hereby declares that the radio equipment type, non-specific SRD, is in compliance with the following directives:

- 2014/53/EU Radio Equipment
- 2011/65/EU RoHS (Recast)

The full text of the EU declaration of conformity is available at the following internet address: [www.honeywellaidc.com/compliance](http://www.honeywellaidc.com/compliance).

European contact:

Hand Held Products Europe B.V.

Lagelandseweg 70 6545CG Nijmegen The Netherlands

**Manufacturer: HONEYWELL INTERNATIONAL INC**

**Address: 9680 OLD BAILES RD FORT MILL SC 29707-7539, USA**

Frequency 100kHz~300kHz

Field Strength: -10.7dBuA/m