

Prelim Draft, not for release

Honeywell

Xenon Ultra 196X Series Accessories

User Guide

Disclaimer

Honeywell International Inc. ("HII") reserves the right to make changes in specifications and other information contained in this document without prior notice, and the reader should in all cases consult HII to determine whether any such changes have been made. HII makes no representation or warranties regarding the information provided in this publication.

HII shall not be liable for technical or editorial errors or omissions contained herein; nor for incidental or consequential damages resulting from the furnishing, performance, or use of this material. HII disclaims all responsibility for the selection and use of software and/or hardware to achieve intended results.

This document contains proprietary information that is protected by copyright. All rights are reserved. No part of this document may be photocopied, reproduced, or translated into another language without the prior written consent of HII.

Copyright © 2023 Honeywell Group of Companies. All rights reserved.

Web Address: sps.honeywell.com

Trademarks

Other product names or marks mentioned in this document may be trademarks or registered trademarks of other companies and are the property of their respective owners.

Patents

For patent information, refer to www.hsmpats.com.

TABLE OF CONTENTS

Customer Support	v
Technical Assistance	v
Product Service and Repair	v
Limited Warranty	v
Chapter 1 - Introduction	1
List of Accessories	2
Agency Models	2
Chapter 2 - Universal CCB	3
Out of the Box	3
Features	4
Front.....	4
Back.....	4
Connect Power	4
Charge the Scanner.....	6
Mount a Universal CCB.....	7
Status LED	7
Product Specifications	7
Required Safety Labels	8
Chapter 3 - Replacement Cups.....	9
Out of the Box.....	9
Features	10

Front	10
Back	10
Replace the Cup	10
Required Safety Labels	12
Chapter 4 - Replacement Magnet.....	13
Out of the Box.....	13
Install the Magnet	14
Remove the Magnet.....	14
Chapter 5 - Contact End Cap.....	15
Out of the Box.....	15
Replace End Cap.....	15
Chapter 6 - Horizontal CCB	17
Out of the Box.....	17
Features	18
Connect Power	18
Route the Cables	20
Locking System	21
Mount the Horizontal CCB.....	22
Horizontal Mount.....	22
Vertical Mount.....	23
Status LED.....	23
Product Specifications	24
Required Safety Labels	25
Chapter 7 - 1960 Flex Stand.....	27
Out of the Box.....	27
Product Specifications	28

Customer Support

Technical Assistance

To search our knowledge base for a solution or to log in to the Technical Support portal and report a problem, go to honeywell.com/PSStechnicalsupport.

For our latest contact information, see sps.honeywell.com.

Product Service and Repair

Honeywell International Inc. provides service for all of its products through service centers throughout the world. Go to sps.honeywell.com and select **Support** to find a service center near you or to get a Return Material Authorization number (RMA #) before returning a product.

Limited Warranty

For warranty information, go to sps.honeywell.com and select **Support > Warranties**.

Prelim Draft, not for release

INTRODUCTION

Honeywell offers a full range of accessories for the Xenon Ultra, including horizontal and universal charge and communication bases.

The accessories included in this guide are compatible with Xenon Ultra scanners.

- Universal Charge and Communication Base (CCB)
- Replacement Magnet for Universal Base
- Replacement Cups for Universal Base
- Replacement Contact End Cap
- Horizontal Charge and Communication Base (CCB)
- Flexible Presentation Stand



Caution: We recommend the use of Honeywell accessories and power adapters. Use of any non-Honeywell accessories or power adapters may cause damage not covered by the warranty.

Mise en garde : Il est recommandé d'utiliser les périphériques, les cordons d'alimentation et les adaptateurs secteur conçus par Honeywell. L'utilisation de tout périphérique, cordon d'alimentation ou adaptateur secteur d'une autre marque est susceptible de provoquer des dommages non couverts par la garantie.



Caution: Make sure that all components are dry prior to using the computers and batteries with accessories. Using wet components may cause damage not covered by the warranty.

Mise en garde : Assurez-vous que tous les composants sont secs avant de connecter les terminaux/batteries à des périphériques. L'insertion de composants humides risque de provoquer des dommages non couverts par la garantie.

List of Accessories

Accessory	Part Number
Horizontal Charge and Communication Base - Healthcare White	CCB-ULTRA-H-HC-INT
Horizontal Charge and Communication Base - Black	CCB-ULTRA-H-GP-INT
Horizontal Charge and Communication Base - Wireless - Healthcare White	CCB-ULT-H-HCWC-INT
Horizontal Charge and Communication Base - Wireless - Black	CCB-ULT-H-GPWC-INT
Charge and Communication Base with Cup - Black	CCB-U00-G-BAT-INT
Charge and Communication Base with Cup - Healthcare White	CCB-U00-H-BAT-INT
Charge and Communication Base with Wireless Cup - Black	CCB-U00-G-WC-INT
Charge and Communication Base with Wireless Cup - Healthcare White	CCB-U00-H-WC-INT
Universal Base - Black	CCB-U00-G-INT
Universal Base - Healthcare White	CCB-U00-H-INT
Cup - Exposed Contacts - Black	1962G-BAT-CUP-INT
Cup - Exposed Contacts - Healthcare White	1962H-BAT-CUP-INT
Cup - Wireless - Black	1962G-WC-CUP-INT
Cup - Wireless - Healthcare White	1962H-WC-CUP-INT
Xenon Ultra 1960 Flexible Presentation Stand	STND-2F00-016-6
Replacement Magnet for Universal CCB	
End Cap - Exposed Contacts - Black	
End Cap - Exposed Contacts - Healthcare White	

For a complete list of accessories for your scanner and their part numbers see the Accessory Guide for your device, available for download at sps.honeywell.com.

Contact your local sales representative for ordering information.

Agency Models

CCBU, 1962 Cup, 1962 Horizontal, 1962 WC Horizontal

UNIVERSAL CCB

The Universal Charge and Communication Base (CCB) charges the Xenon Ultra while also communicating via USB, High Speed USB, USB-C, RS232, or Keyboard Wedge. Removable cups can be replaced. See [Replacement Cups](#) beginning on page 9.

Out of the Box

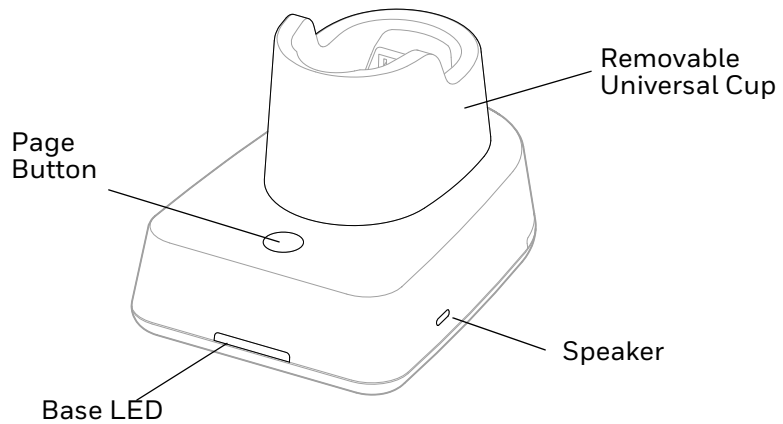
Make sure that your shipping box contains these items:

- Universal Base
- Power supply
- Interface cable
- Product documentation

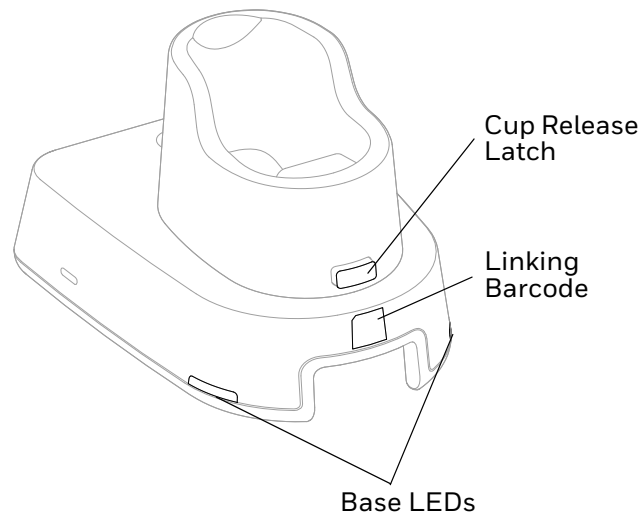
If any of these items are missing or appear damaged, contact your Customer Account Representative. Keep the original packaging in the event that you need to return the base for service or if you want to store the charger while not in use.

Features

Front



Back

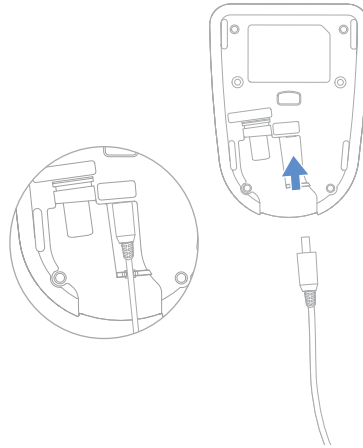


Connect Power

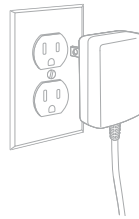
Use only a UL Listed power supply that has been qualified by Honeywell with an output rated at 5.0 VDC and 3.0 A with the device. The power supply input rating is 100-240V, 50/60Hz, and 0.7A. Operating temperature 14 °F to 122 °F (-10 °C to 50 °C).

Prelim Draft, not for release

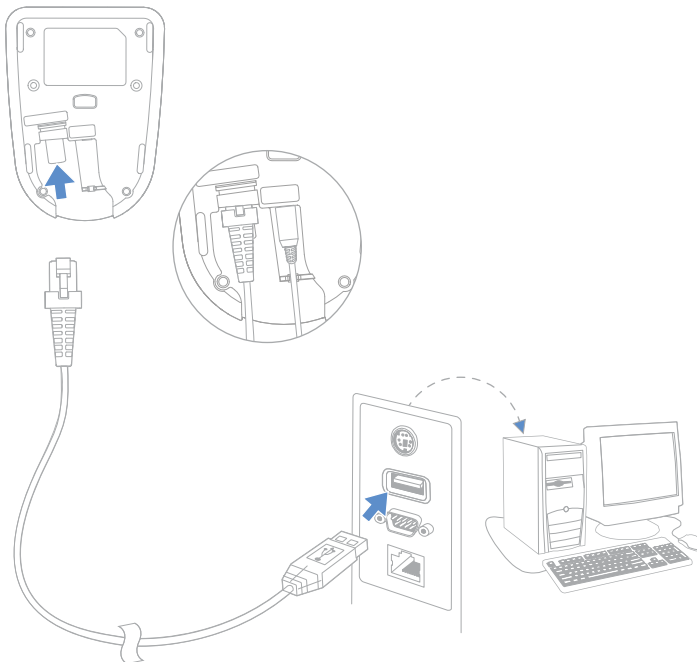
1. Plug the power supply on the bottom of the base.



2. Plug the power supply into a standard wall outlet.



3. Plug the communication cable on the bottom of the base and then to the host. (USB connection shown.)

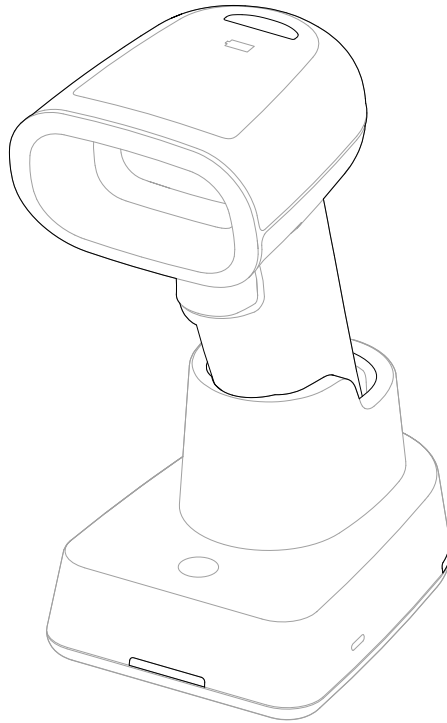


Charge the Scanner



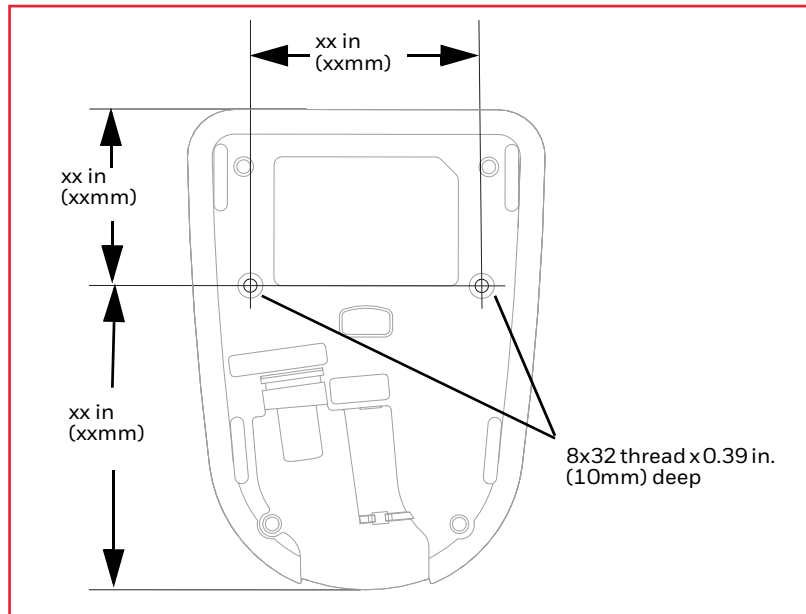
Caution: Ensure all components are dry prior to mating batteries with peripheral devices. Mating wet components may cause damage not covered by the warranty.

Insert the scanner into the CCB. The scanner will not charge unless a battery or supercap is installed. The LED on the scanner and CCB will blink green when the scanner is properly inserted.



Mount a Universal CCB

Mount the CCB to a flat, horizontal surface.



Status LED

The LEDs on the base indicates communication and scanning status.

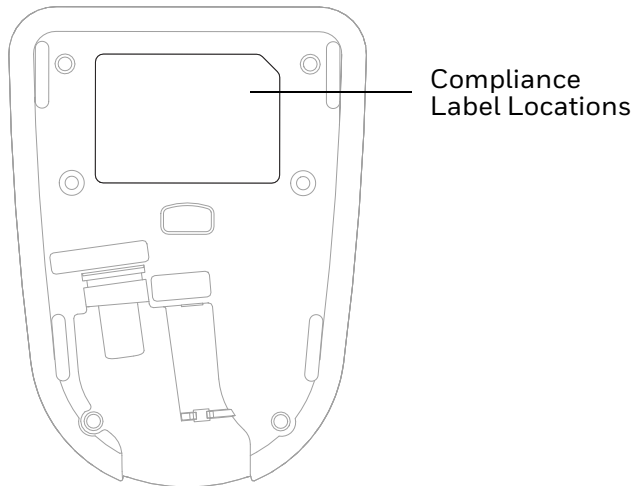
LED Status	Indicates
Off	USB suspend
Red On, solid	Power on, system idle
Red On, flashing	
Short red blinks in multiple pulses. Occurs while transferring data to/from the RF module or the Host port.	Receiving data

Product Specifications

Parameter	Specification
Mechanical	
Height	1.81 inches (46 mm)
Length	5.8 inches (147 mm)
Width	5.3 inches (134 mm)
Weight	14.1 oz (0.4 kg)
Electrical	

Parameter (Continued)	Specification
Voltage	5 volts
Current Draw	1A output for each port
Charge Time	3 hours at room temperature of 46°F to 91°F (8°C to 33°C) May be extended at temperatures lower than 46°F (8°C) or higher than 91°F (33°C)
Environmental	
Operating Temperature	32° F to 122° F (0° C to 50° C)
Storage Temperature	-4° F to 140° F (-20° C to 60° C)
Humidity	Up to 95% non-condensing
Mechanical Drop	Operational after 6 drops from 2.9 feet (0.9 m) to concrete
Vibration	2G Peak from 2Hz to 200Hz
ESD Sensitivity	Up to 15kV direct air Up to 8 kV contact and indirect

Required Safety Labels



REPLACEMENT CUPS

The Universal CCB have removable cups that can be replaced with CCB-U00-G-BAT-INT, CCB-U00-H-BAT-INT, CCB-U00-G-WC-INT, or CCB-U00-H-WC-INT.

Out of the Box

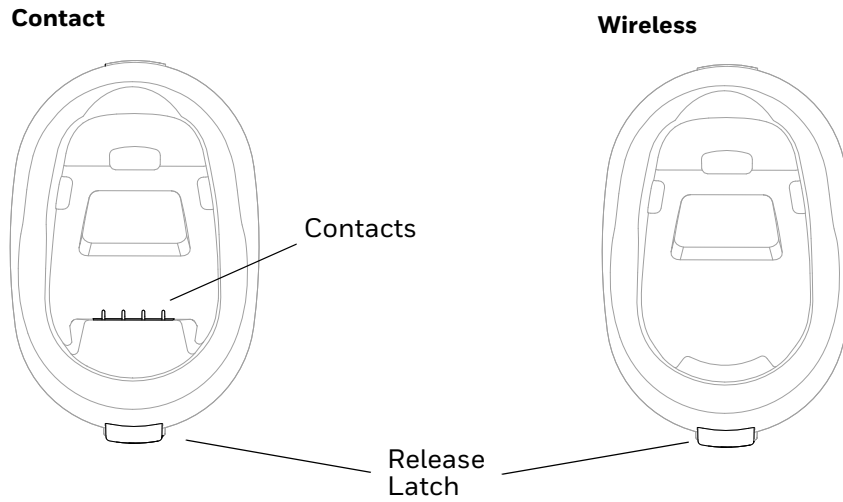
Make sure that your shipping box contains these items:

- Universal Cup
- Product documentation

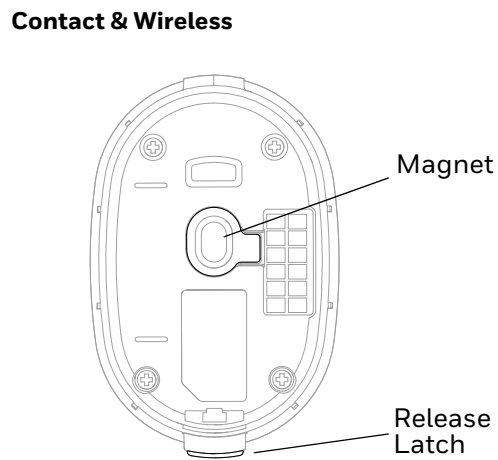
If any of these items are missing or appear damaged, contact your Customer Account Representative. Keep the original packaging in the event that you need to return the cup for service.

Features

Front



Back



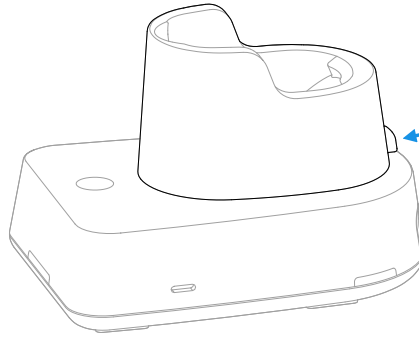
Replace the Cup



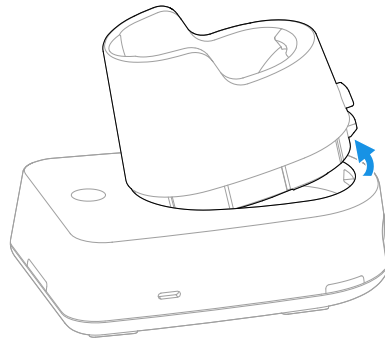
Caution: Ensure all components are dry prior to mating batteries with peripheral devices. Mating wet components may cause damage not covered by the warranty.

Prelim Draft, not for release

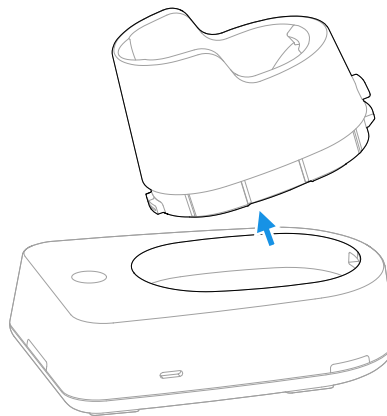
1. Push the release latch in.



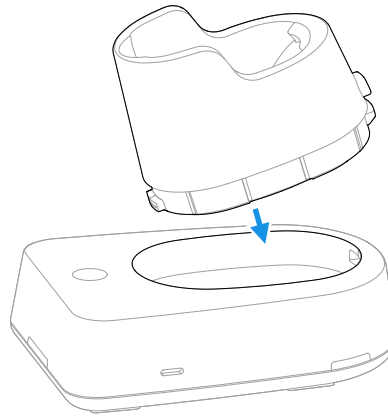
2. Tilt the latch side of the cup upwards.



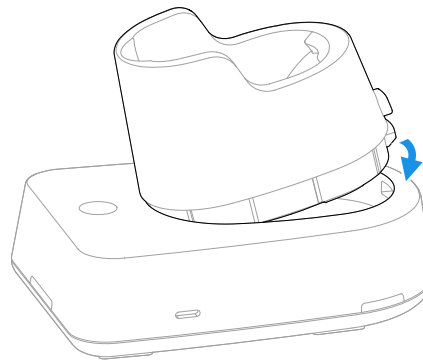
3. Lift the old cup out of the base.



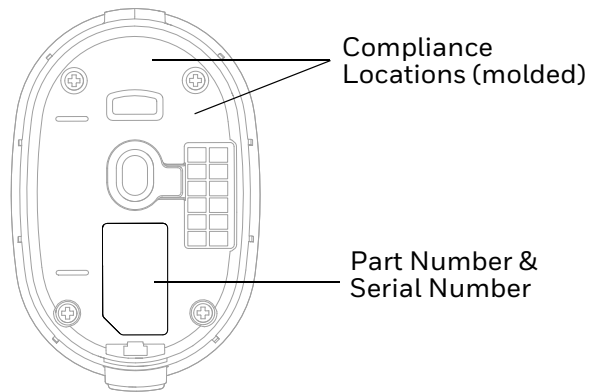
4. Insert the new cup tilted slightly towards the front of the base.



5. Push the cup into the base until it snaps in.



Required Safety Labels



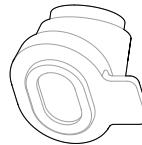
REPLACEMENT MAGNET

Out of the Box

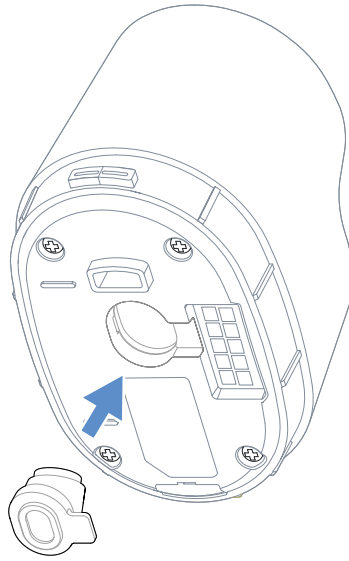
Make sure that your shipping box contains:

- Replacement Universal CCB Magnet (PN)

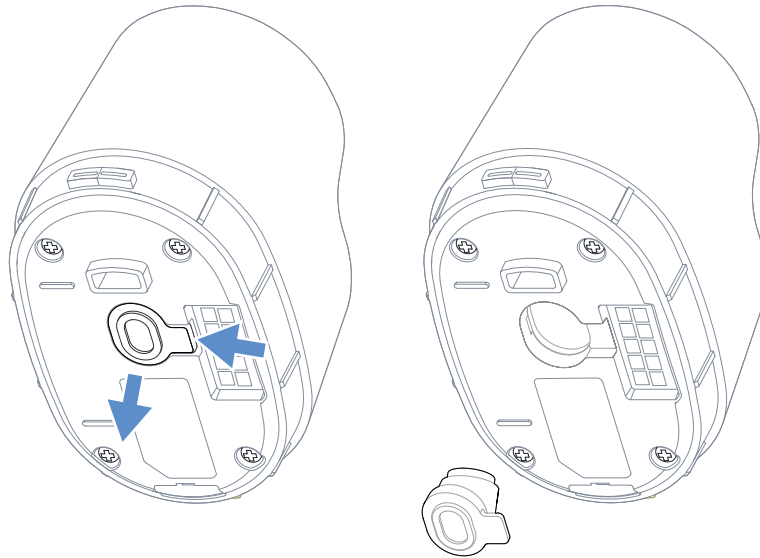
If it appears damaged, contact your Customer Account Representative. Keep the original packaging in the event that you need to return the magnet for service.



Install the Magnet



Remove the Magnet



CONTACT END CAP

Out of the Box

Make sure that your shipping box contains:

- Contact End Cap (PN)

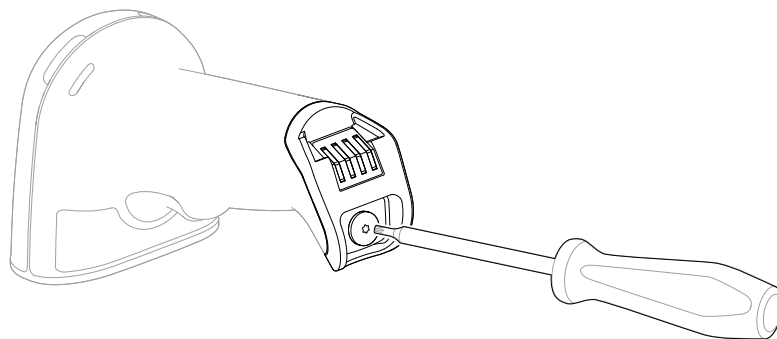
If it appears damaged, contact your Customer Account Representative. Keep the original packaging in the event that you need to return the end cap for service.

Replace End Cap

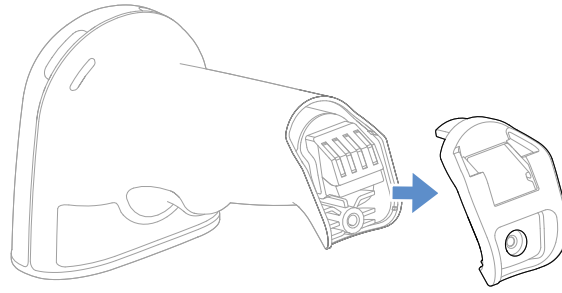


Caution: Ensure all components are dry prior to mating batteries with peripheral devices. Mating wet components may cause damage not covered by the warranty.

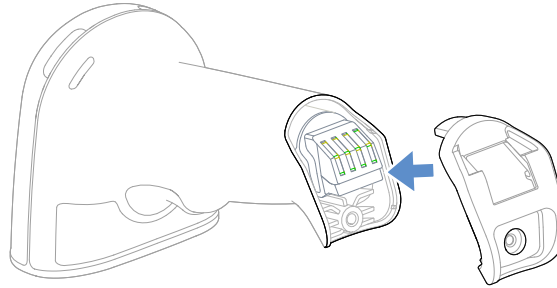
1. Remove the screw on the bottom of the scanner with a T10 torx. Keep the screw nearby.



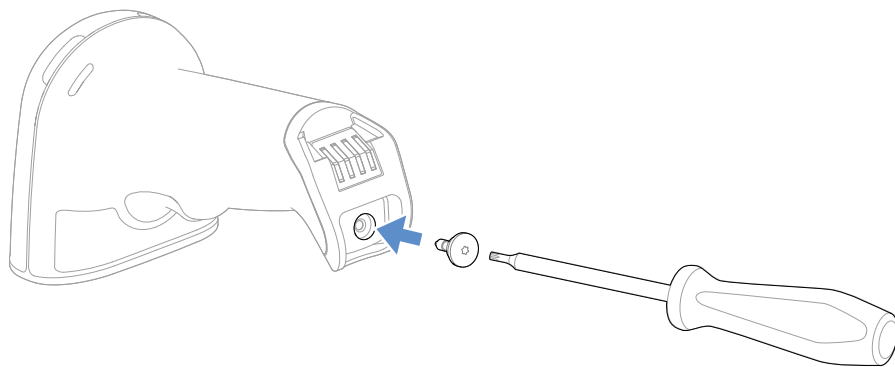
2. Remove the end cap.



3. Insert the new end cap.



4. Secure the end cap with the screw.



HORIZONTAL CCB

The Horizontal Charge and Communication Base (CCB) charges the Xenon Ultra while also communicating via USB, High Speed USB, USB-C, RS232, or Keyboard Wedge.

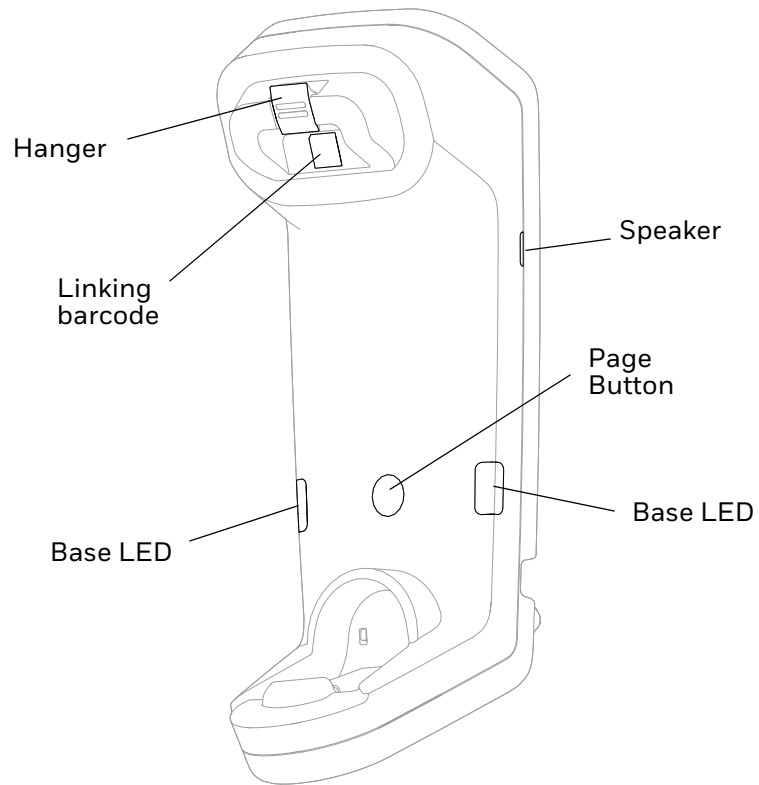
Out of the Box

Make sure that your shipping box contains these items:

- Horizontal Base
- Power supply
- Interface cable
- Product documentation

If any of these items are missing or appear damaged, contact your Customer Account Representative. Keep the original packaging in the event that you need to return the base for service or if you want to store the charger while not in use.

Features

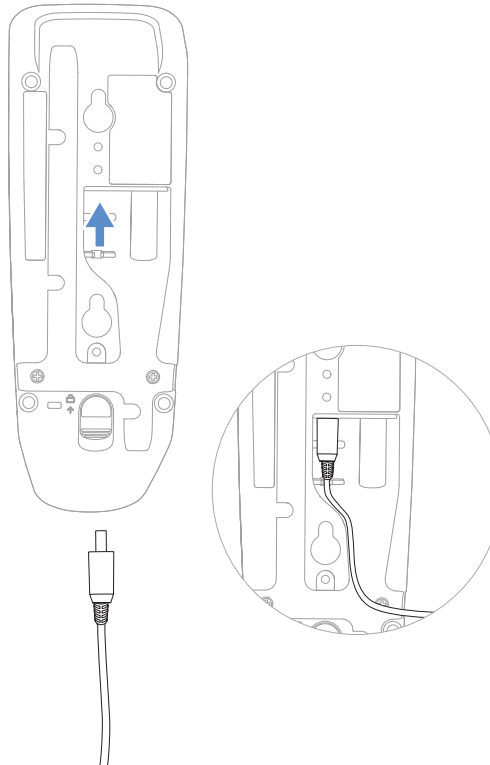


Connect Power

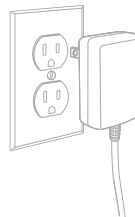
Use only a UL Listed power supply that has been qualified by Honeywell with an output rated at 5.0 VDC and 3.0 A with the device. The power supply input rating is 100-240V, 50/60Hz, and 0.7A. Operating temperature 14 °F to 122 °F (-10 °C to 50 °C).

Prelim Draft, not for release

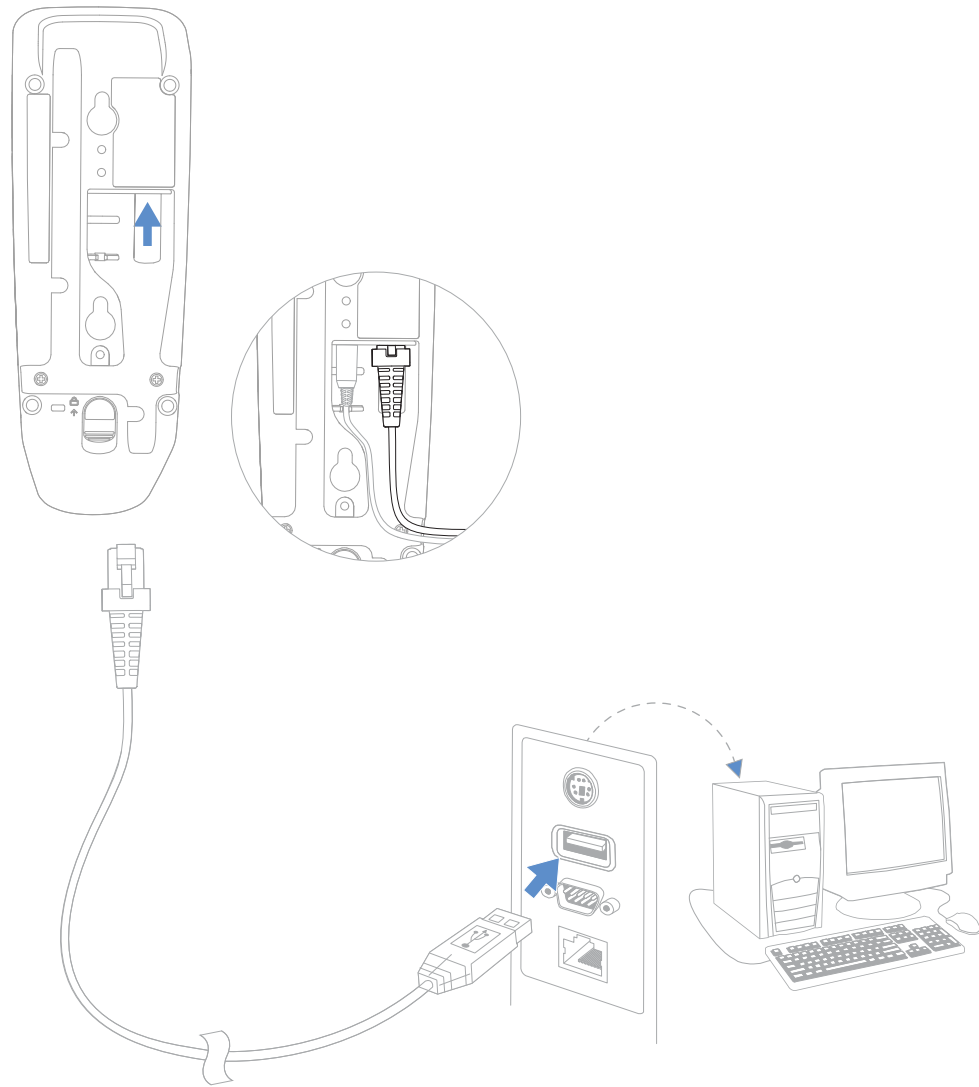
1. Plug the power supply on the bottom of the base.



2. Plug the power supply into a standard wall outlet.



3. Plug the communication cable on the bottom of the base and then to the host. (USB connection shown.)

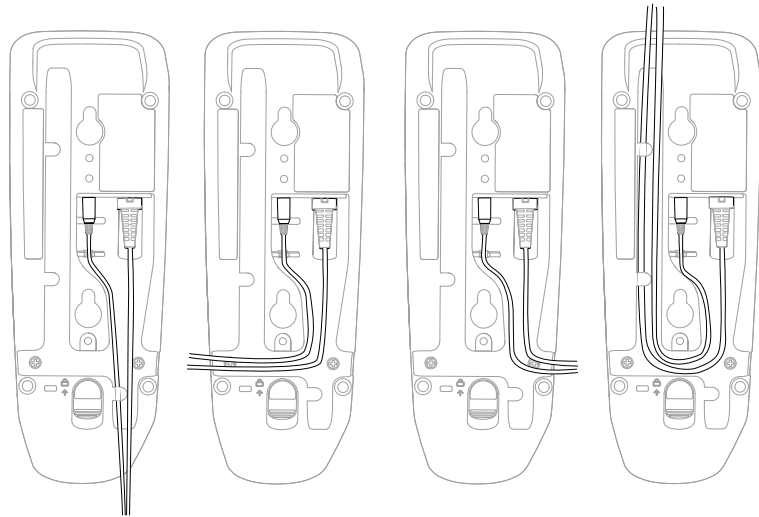


Route the Cables



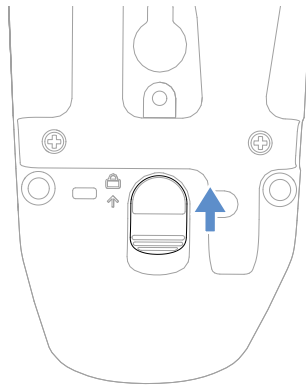
Caution: Ensure all components are dry prior to mating batteries with peripheral devices. Mating wet components may cause damage not covered by the warranty.

Insert the scanner into the Horizontal CCB. The scanner will not charge unless a battery or supercap is installed. The LED on the scanner and Horizontal CCB will blink green when the scanner is properly inserted.

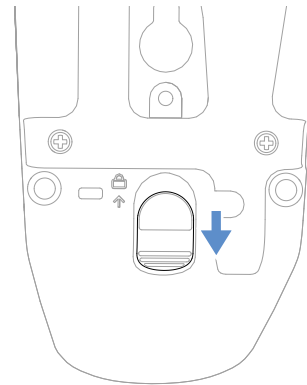


Locking System

When mounted on a vertical surface, a locking system is used to secure the scanner when it is in the stand. When mounted on a horizontal surface, the locking mechanism should be set to **unlocked** (pushed down). When mounted on a vertical surface, the locking mechanism should be set to **locked** (pushed up).



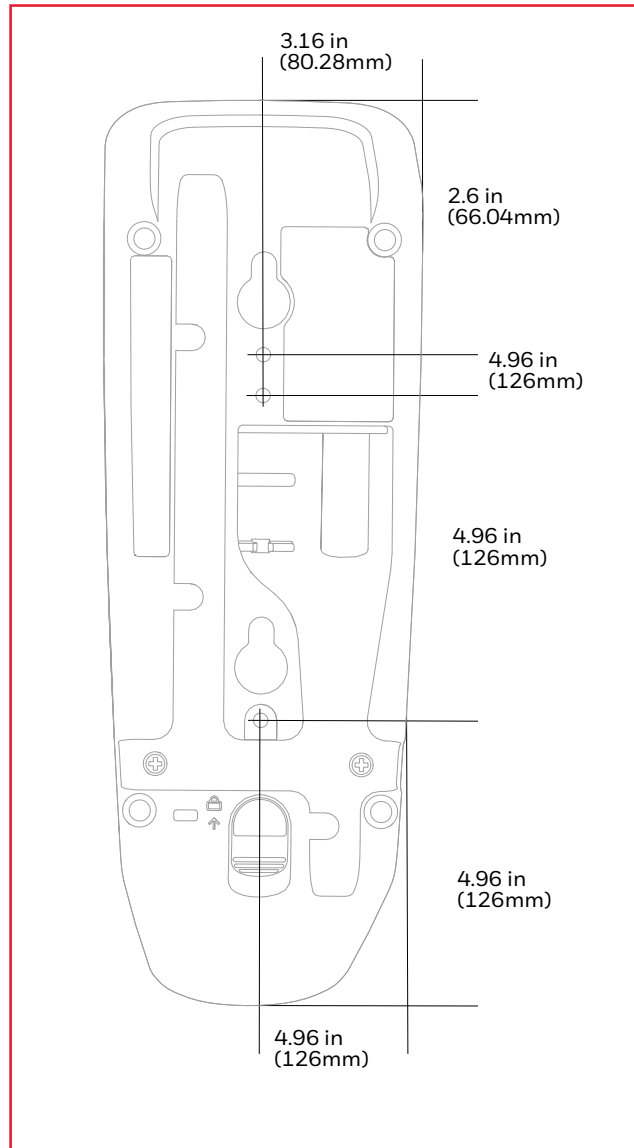
Locked Position for Vertical Mount



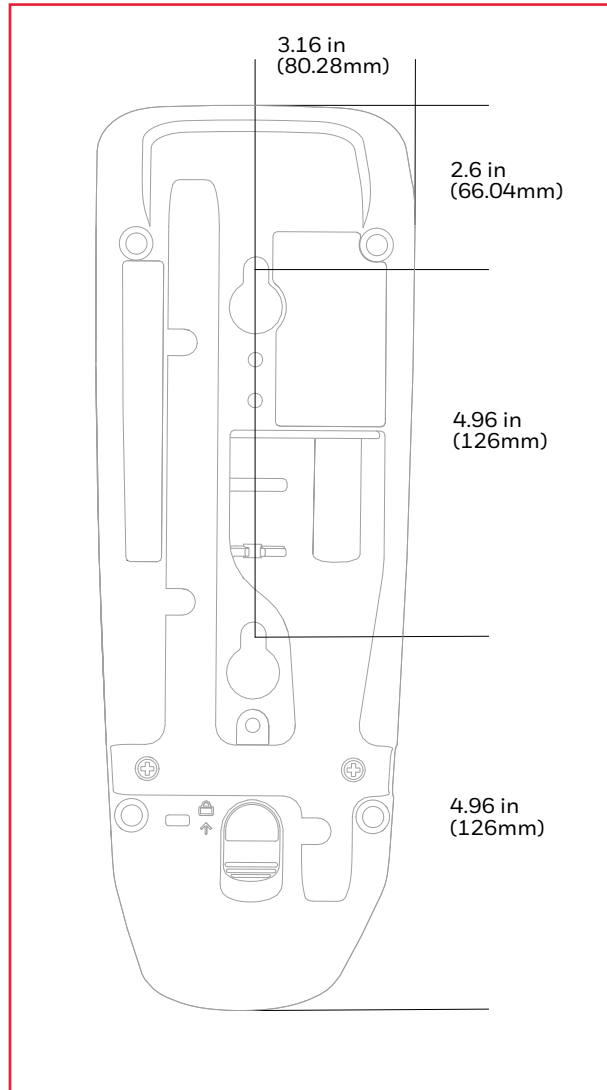
Unlocked Position for Horizontal Mount

Mount the Horizontal CCB

Horizontal Mount



Vertical Mount



Status LED

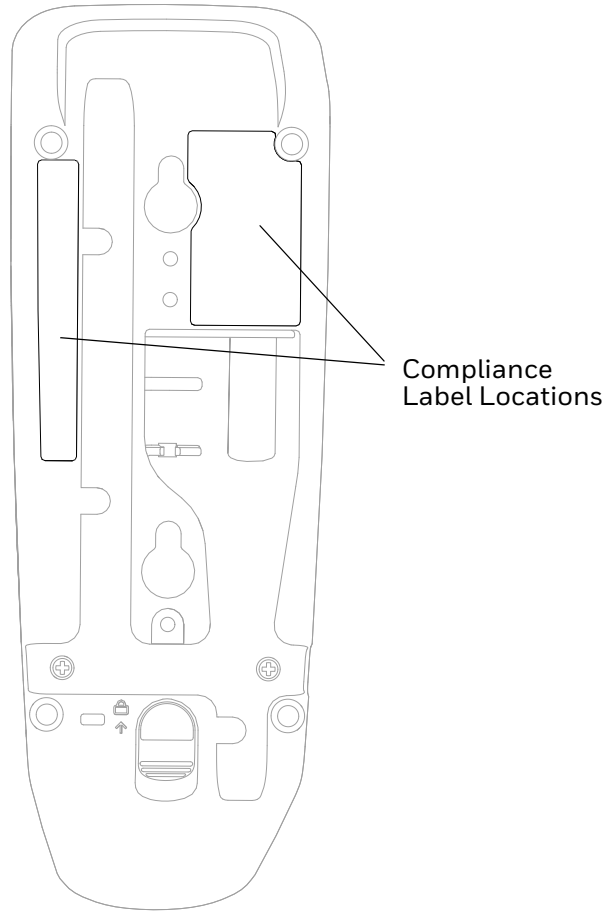
The LEDs on the scanner indicates the battery charging status.

LED Status	Indicates
Off	USB suspend
Red On, solid	Power on, system idle
Red On, flashing	
Short red blinks in multiple pulses. Occurs while transferring data to/from the RF module or the Host port.	Receiving data.

Product Specifications

Parameter	Specification
Mechanical	
Height	1.81 inches (46 mm)
Length	5.8 inches (147 mm)
Width	5.3 inches (134 mm)
Weight	14.1 oz (0.4 kg)
Electrical	
Voltage	5 volts
Current Draw	1A output for each port
Charge Time	3 hours at room temperature of 46°F to 91°F (8°C to 33°C) May be extended at temperatures lower than 46°F (8°C) or higher than 91°F (33°C)
Environmental	
Operating Temperature	32° F to 122° F (0° C to 50° C)
Storage Temperature	-4° F to 140° F (-20° C to 60° C)
Humidity	Up to 95% non-condensing
Mechanical Drop	Operational after 6 drops from 2.9 feet (0.9 m) to concrete
Vibration	2G Peak from 2Hz to 200Hz
ESD Sensitivity	Up to 15kV direct air Up to 8 kV contact and indirect

Required Safety Labels

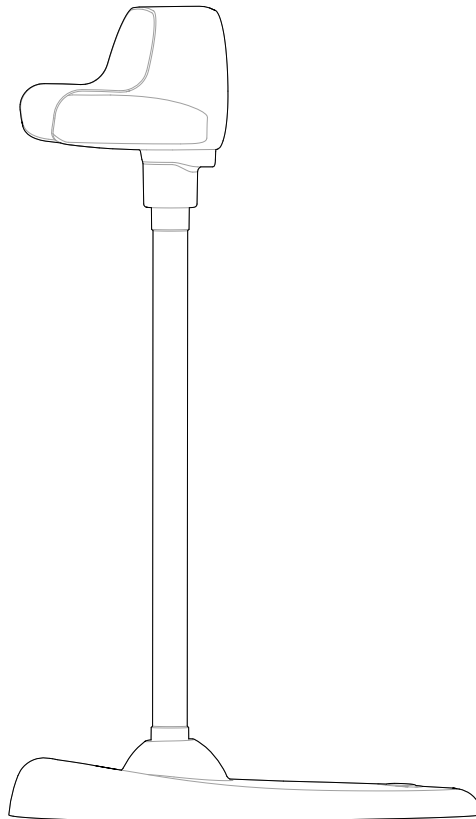


Out of the Box

Make sure that your shipping box contains:

- Flex Stand (STND-2F00-016-6)

If it appears damaged, contact your Customer Account Representative. Keep the original packaging in the event that you need to return the base for service or if you want to store the charger while not in use.



Product Specifications

Parameter	Specification
Mechanical	
Height	1.75 inches (44.5 mm)
Length	5.8 inches (147 mm)
Width	5.3 inches (134 mm)
Weight	14.1 oz (0.4 kg)

Prelim Draft, not for release

Prelim Draft, not for release

Honeywell
855 S. Mint St.
Charlotte, NC 28202

sps.honeywell.com

Agency Model: CCBU, 1962 Cup, 1962 Horizontal, 1962 WC Horizontal

Table with 8 columns and 4 rows providing product documentation availability in various languages: English, Portuguese, Chinese, Japanese, Korean, Spanish, Italian, and Hebrew.

FCC Part 15 Subpart B Class B. This device complies with part 15 of the FCC Rules. Operation is subject to the following two conditions: 1. This device may not cause harmful interference. 2. This device must accept any interference received, including interference that may cause undesired operation.

RF Exposure. The equipment complies with FCC RF exposure limits set forth for an uncontrolled environment. The equipment must not be co-located or operating in conjunction with any other antenna or transmitter.

IC RF Radiation Exposure. This equipment complies with IC radiation exposure limits set forth for an uncontrolled environment. Déclaration d'exposition aux radiations. Cet équipement est conforme aux limites d'exposition aux rayonnements IC établies pour un environnement non contrôlé.

TÜV R Statement. TÜV R listed: UL 62368-1, Third Edition and CSA C22.2 No.62368-1, Third Edition. Normes TÜV R. Homologué TÜV R : UL 62368-1, troisième édition et CSA C22.2 No. 62368-1, troisième édition.

Table with 8 columns and 2 rows providing cautionary information in various languages: English, Chinese, Japanese, Korean, Hebrew, and Spanish.

Canadian Compliance. This device contains license-exempt transmitter(s)/receiver(s) that comply with Innovation, Science and Economic Development Canada's license-exempt RSS(S). Operation is subject to the following two conditions: 1. This device may not cause interference, and 2. This device must accept any interference, including interference that may cause undesired operation of the device.

Para su uso en México, la operación de este equipo está sujeta a las siguientes dos condiciones: 1. Es posible que este equipo o dispositivo no cause interferencia perjudicial. 2. Este equipo o dispositivo debe aceptar cualquier interferencia, incluyendo la que pueda causar su operación no deseada.

Table with 8 columns and 2 rows providing technical specifications and safety information in various languages: English, Chinese, Japanese, Korean, Hebrew, Spanish, and Italian.

Table with 8 columns and 2 rows providing patent information in various languages: English, Chinese, Japanese, Korean, Hebrew, Spanish, and Italian.

Table with 8 columns and 2 rows providing environmental information in various languages: English, Chinese, Japanese, Korean, Hebrew, Spanish, and Italian.

Table with 8 columns and 2 rows providing Bluetooth specifications in various languages: English, Chinese, Japanese, Korean, Hebrew, Spanish, and Italian.

This document was prepared and executed in the English language. In the event this document is translated into another language and a conflict arises between the English version and a non-English version, the English version shall prevail, it being recognized and acknowledged that the English language version most clearly expresses the intent of the parties. Any notice or communication given in connection with this document must include a version in the English language.

Originalmente, este documento se creó y redactó en inglés. En caso de que se traduzca a otro idioma y surja un conflicto entre la versión en inglés y la versión en otro idioma, prevalecerá la versión en inglés. Se reconoce y admite que la versión en inglés expresa más claramente la intención de las partes con más claridad. Cualquier aviso o comunicación proporcionada en relación con este documento debe incluir una versión en inglés.

本書は英語で作成され発行されています。本書を他の言語に翻訳し、英語版と英語以外の版に矛盾が生じた場合は、関係者の意図を最も明確に表すものが英語版であることを認識および承認し、英語版が優越するものとします。さらに、本書に関連して与えられる告知や通知は、すべて英語版を含むものとします。

Originalmente, este documento se creó y redactó en inglés. En caso de que se traduzca a otro idioma y surja algún conflicto entre la versión en inglés y la del idioma extranjero, prevalecerá la versión en inglés, dado que se reconoce y admite que la versión en inglés expresa más claramente la intención de las partes. Cualquier aviso o comunicación proporcionada en relación con este documento deberá incluir una versión en inglés.

Bu belge, İngilizce olarak hazırlanmış ve yayınlanmıştır. Bu belge başka bir dile çevrilirse ve İngilizce metin ile İngilizce olmayan metin arasında ihtilaf oluşursa İngilizce metin geçerli olacaktır ve İngilizce metnin tarafların niyetini açıkça ifade ettiği kabul edilip onaylanacaktır. Bu belgeyle bağlantılı olarak yapılan beyanlar veya yazışmalarda İngilizce çevirileri de eklenecektir.

Table with 5 columns and 2 rows providing environmental information in various languages: English, Chinese, Japanese, Korean, Hebrew, Spanish, and Italian.

Prelim Draft, not for release

Informações ambientais sobre produtos Consulte a página honeywell.com/PSSenvironmental para obter informações sobre as normas RoHS/REACH/WEEE.	产品信息环境信息 有关 RoHS / REACH / WEEE 信息, 请参阅 honeywell.com/PSSenvironmental。	產品環境資訊 請參閱 honeywell.com/PSSenvironmental 以瞭解 RoHS / REACH / WEEE 資訊。	製品の環境情報 RoHS / REACH / WEEE に関する情報については、honeywell.com/PSSenvironmental を参照してください。	제품 환경 정보 RoHS / REACH / WEEE 정보는 honeywell.com/PSSenvironmental 에서 참조하십시오.
Product Environmental Information Refer to honeywell.com/PSSenvironmental for the RoHS / REACH / WEEE information.	Renseignements relatifs à l'environnement à propos des produits Reportez-vous à la page honeywell.com/PSSenvironmental pour obtenir des renseignements concernant les directives RoHS/REACH/WEEE.	Informations environnementales sur les produits Reportez-vous au site honeywell.com/PSSenvironmental pour obtenir les informations sur les directives RoHS/REACH/WEEE.	Informazioni ambientali relative al prodotto Consultare il sito web honeywell.com/PSSenvironmental per informazioni su RoHS/REACH/RAEE.	Informationen zur Umweltverträglichkeit von Produkten Unter honeywell.com/PSSenvironmental finden Sie Informationen über RoHS/REACH/WEEE.
Informações ambientais sobre produtos Consulte a página honeywell.com/PSSenvironmental para obter informações sobre as normas RoHS/REACH/WEEE.	产品信息环境信息 有关 RoHS / REACH / WEEE 信息, 请参阅 honeywell.com/PSSenvironmental。	產品環境資訊 請參閱 honeywell.com/PSSenvironmental 以瞭解 RoHS / REACH / WEEE 資訊。	製品の環境情報 RoHS / REACH / WEEE に関する情報については、honeywell.com/PSSenvironmental を参照してください。	제품 환경 정보 RoHS / REACH / WEEE 정보는 honeywell.com/PSSenvironmental 에서 참조하십시오.

The following statements may not apply to products assembled in Mexico:	Les énoncés suivants pourraient ne pas concerner les produits assemblés au Mexique:	Les énoncés suivants peuvent ne pas s'appliquer aux produits assemblés au Mexique:	Le seguenti affermazioni potrebbero non essere applicabili ai prodotti assemblati in Messico:	Die folgenden Aussagen gelten möglicherweise nicht für Produkte, die in Mexiko gefertigt wurden.	Los siguientes puntos puede que no se apliquen a los productos ensamblados en México:	Es posible que las siguientes afirmaciones no apliquen para productos ensamblados en México:	A seguinte declaração pode não se aplicar a produtos montados no México:
以下声明可能不适用于在墨西哥组装的产品:	以下聲明可能不適用於在墨西哥組裝的產品:	次の記述はメキシコで組み立てられた製品には当てはまらない場合があります。	다음 선언문은 멕시코에서 조립된 제품에 적용되지 않을 수 있습니다.	Следующие утверждения, возможно, не относятся к устройствам, собранным в Мексике.	Aşağıdaki açıklamalar montajı Meksika'da yapılan ürünler için geçerli olmayabilir:	البيانات التالية قد لا تنطبق على المنتجات التي تم تجميعها في المكسيك.	ייתכן שאמור להלן לא יחול על מוצרים שורכבו במקסיקו.
CB Scheme Certified to CB Scheme IEC 62368-1, Third Edition.	Plan OC (organismes de certification) Certifié CB CEI 62368-1, troisième édition	Schéma OC Certifié selon la norme CEI 62368-1 troisième édition	Schema CB Certificato in base allo Schema CB IEC 62368-1, terza edizione	CB-Zertifizierung CB-zertifiziert gemäß IEC 62368-1 Third Edition	Esquema CB Se ha certificado que cumple el esquema CB IEC 62368-1 tercera edición	Esquema CB Se ha certificado que cumple con el esquema CB IEC 62368-1, tercera edición	Esquema CB Certificação CB Scheme IEC 62368-1, Terceira edição
CB 方案 已通過 CB 方案 IEC 62368-1 第三版的認證。	CB Scheme 經過認證符合 CB Scheme IEC 62368-1 標準第三版。	CB Scheme CB Scheme IEC 62368-1, Third Edition に認定されています。	CB Scheme CB Scheme IEC 62368-1, Third Edition 인증을 받았습니다.	Схема CB Сертификация согласно схеме CB МЭК 62368-1, издание третье.	CB Planı CB Planı IEC 62368-1, Üçüncü Sürüm sertifikasına sahiptir.	CB Scheme اتفاقية CB Scheme رقم IEC 62368-1, الإصدار الثالث.	CB Scheme מורשה ל- CB Scheme IEC 62368-1, מהדורה שלישית.
Honeywell International Inc., hereby declares that the radio equipment type, non-specific SRD, is in compliance with the following directives: <ul style="list-style-type: none"> 2014/53/EU Radio Equipment 2011/65/EU RoHS (Recast) The full text of the EU declaration of conformity is available at the following internet address: honeywell.com/PSScompliance. European contact: Honeywell Productivity Solutions BV Burgemeester Burgerslaan 40 5245NH Rosmalen The Netherlands	Honeywell International Inc. déclare par la présente que le type d'équipement radio, SRD non spécifique est conforme aux directives suivantes: <ul style="list-style-type: none"> Équipement radio 2014/53/EU 2011/65/UE – RoHS (Refonte) Le texte intégral de la déclaration de conformité de l'UE est disponible à l'adresse Internet suivante: honeywell.com/PSScompliance. Personne-ressource en Europe: Honeywell Productivity Solutions BV Burgemeester Burgerslaan 40 5245NH Rosmalen Les Pays-Bas	Honeywell International Inc. déclare par la présente que le type d'équipement radioélectrique de faible portée non spécifique est conforme aux directives suivantes: <ul style="list-style-type: none"> 2014/53/EU Equipement radio 2011/65/UE RoHS (refonte) Le texte intégral de la déclaration de conformité de l'UE est disponible à l'adresse internet suivante: honeywell.com/PSScompliance. Contact en Europe: Honeywell Productivity Solutions BV Burgemeester Burgerslaan 40 5245NH Rosmalen Pays-Bas	Honeywell International Inc. dichiara che il tipo di apparecchiatura radio, SRD (dispositivi a corto raggio) non specifici è conforme alle seguenti direttive: <ul style="list-style-type: none"> 2014/53/UE - Apparecchiature radio Direttiva RoHS 2011/65/UE (rifusione) Il testo completo della Dichiarazione di conformità UE è disponibile al seguente indirizzo Internet: honeywell.com/PSScompliance. Contatto in Europa: Honeywell Productivity Solutions BV Burgemeester Burgerslaan 40 5245NH Rosmalen Paesi Bassi	Honeywell International Inc. erklärt hiermit, dass das nicht näher spezifizierte SRD (Funkanlagen) folgende Richtlinien erfüllt: <ul style="list-style-type: none"> Richtlinie 2014/53/EU (Funkanlagen) 2011/65/EU RoHS (Recast) Die vollständige EU-Konformitätserklärung finden Sie im Internet unter: honeywell.com/PSScompliance. Ansprechpartner Europa: Honeywell Productivity Solutions BV Burgemeester Burgerslaan 40 5245NH Rosmalen Niederlande	Honeywell International Inc. declara que el tipo de equipo de radio, dispositivo de corto alcance (SRD) no específico, cumple con las directivas siguientes: <ul style="list-style-type: none"> 2014/53/EU sobre equipos de radio 2011/65/UE RoHS (Refundida) El texto completo de la declaración de conformidad de la UE está disponible en la siguiente dirección de internet: honeywell.com/PSScompliance. Contacto europeo: Honeywell Productivity Solutions BV Burgemeester Burgerslaan 40 5245NH Rosmalen Países Bajos	Honeywell International Inc. declara que o tipo de equipamento de rádio, sem SRD específico, está em conformidade com as seguintes diretivas: <ul style="list-style-type: none"> Normativa 2014/53/UE sobre equipamentos radioelétricos 2011/65/UE RoHS (Reformulada) O texto completo da declaração de conformidade da União Europeia está disponível em honeywell.com/PSScompliance. Contato na Europa: Honeywell Productivity Solutions BV Burgemeester Burgerslaan 40 5245NH Rosmalen Holanda	Honeywell International Inc. מודיע כי סוג ציוד הרדיו, SRD לא ספציפי, עומד בהתנאות הבאות: <ul style="list-style-type: none"> 2014/53/UE ציוד רדיו 2011/65/UE RoHS (מורחב) הטקסט המלא של הודעת ההתאמה של האיחוד האירופי זמין בכתובת האינטרנט הבאה: honeywell.com/PSScompliance. ליצירת קשר באירופה: Honeywell Productivity Solutions BV Burgemeester Burgerslaan 40 5245NH Rosmalen The Netherlands

United Kingdom Contact: United Kingdom Honeywell Scanning and Mobility, Honeywell House, Skipped Hill Lane, Bracknell, Berkshire, RG12 1EB Phone: +44 (0)1344921052

If the following label is attached to your product, the product meets Korean agency approval for Class B equipment: 이 기기는 가정용 (B 급) 전자파적합기기로서 주로 가정에서 사용하는 것을 목적으로 하며, 모든 지역에서 사용할 수 있습니다. This product is EMC B grade equipment, intended for residential use. This equipment can be used in any area.	依據標準：低功率射頻器材技術規範：LP0002 NCC standard: Low-power Radio-frequency Devices Technical Regulations: LP0002 取得審驗證明之低功率射頻器材，非經核准，公司、商號或使用者均不得擅自變更頻率、加大功率或變更原設計之特性及功能。低功率射頻器材之使用不得影響飛航安全及干擾合法通信；經發現有干擾現象時，應立即停用，並改善至無干擾時方得繼續使用。前述合法通信，指依電信管理法規規定作業之無線電通信。低功率射頻器材須忍受合法通信或工業、科學及醫療用電波輻射性電機設備之干擾。 台灣 RoHS 網頁限用物質含有情況資訊，請依下列步驟操作： 1. 網頁連結: honeywell.com/PSS-Taiwan-RoHS 2. 限用物質含有情況資訊表格是以產品型號命名的，找到對應產品型號為首的超連結，單擊即可打開。	ANATEL Informações sobre Regulação Este produto está homologado pela ANATEL, de acordo com os procedimentos regulamentados pela Resolução nº. 242/2000 e atende aos requisitos técnicos aplicados. Este equipamento não tem direito a proteção contra interferência prejudicial e não pode causar interferência em sistemas devidamente autorizados. Para maiores informações, consulte o site da ANATEL – www.gov.br/anatel-pt-br	เครื่องวิทยุคมนาคมนี้ ได้ยื่นขอขึ้น ไม่ต้องได้รับ ใบอนุญาตวิทยุ ใช้ซึ่งเครื่องวิทยุคมนาคม หรือตั้งสถานีวิทยุคมนาคมตามประกาศ กสทช. เรื่อง เครื่องวิทยุคมนาคม และสถานีวิทยุคมนาคมที่ได้นยื่นขอขึ้นไม่ต้องได้รับใบอนุญาต วิทยุคมนาคม ตามพระราชบัญญัติวิทยุคมนาคม พ.ศ. 2498. กสทช โทรคมนาคม กำกับดูแลเพื่อประชาชน Call Center 1200 (โทรฟรี)
---	---	---	--

型号 (Model): CCBU, 1962 Cup, 1962 Horizontal, 1962 WC Horizontal
产品中有害物质的名称及含量 (Names and Content of Hazardous Substances in the Product)

部件名称 (Parts Name)	有害物质 (Hazardous Substances)					
	铅 (Pb)	汞 (Hg)	镉 (Cd)	六价铬 (Cr6+)	多溴联苯 (PBB)	多溴二苯醚 (PBDE)
印刷电路板 (PCB)	x	o	o	o	o	o
上盖 (Top Cover)	o	o	o	o	o	o
下盖 (Bottom Cover)	x	o	o	o	o	o
连线 (Cables)	o	o	o	o	o	o

本表格依据 SJ/T11364 的规定编制。(The table is created by SJ/T11364 requirement.)
 o: 表示该有害物质在该部件所有均质材料中的含量均在 GB/T26572 标准规定的限量要求以下。(Indicates that this hazardous substance contained in all of the homogeneous materials for this part is below the limit requirement in China's GB/T26572.)
 x: 表示该有害物质至少在该部件的某一均质材料中的含量超出 GB/T26572 标准规定的限量要求。(Indicates that this hazardous substance contained in at least one of the homogeneous materials for this part is above the limit requirement in China's GB/T26572.)