

EN1248 Glassbreak Detector Installation and Operation Manual

1 Overview

The EN1248 glassbreak detector is a wireless omni-directional glassbreak detector, providing detection coverage of 180°, as measured from the sensor to the point on the glass farthest from the sensor.

1.1 Inovonics Contact Information

For product and installation videos visit us at www.inovonics.com/videos or use the QR code below.



If you have any problems with this procedure, contact Inovonics technical support:

- E-mail: support@inovonics.com.
- Phone: (800) 782-2709; (303) 939-9336.

2 Installation and Startup

2.1 Installation Notes

- These products are designed to be maintained by professional security technicians
- Products are tested for indoor use
- All products should be manually tested weekly

2.2 Install the Battery

Before installing the EN1248 glassbreak transmitter you will need to install the battery. To install the battery:

1. Use a Phillips screwdriver to loosen the housing screw.
2. Tilt out the glassbreak detector to remove it from the base.

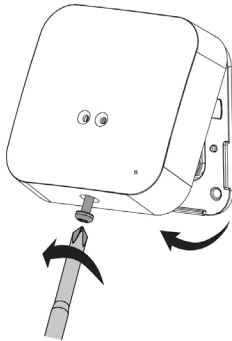


Figure 1 Remove the glassbreak detector from the base

3. Install the batteries.

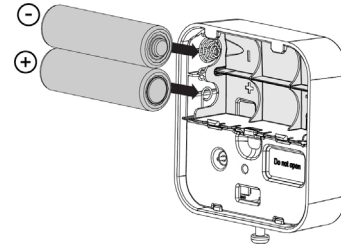


Figure 2 Install the batteries

2.3 Register the Transmitter

EN1248 transmitters must be registered. Refer to receiver, network coordinator or control panel installation instructions to register the EN1248 transmitter.

4. When prompted to reset the transmitter, use a small screwdriver to press the tamper button.

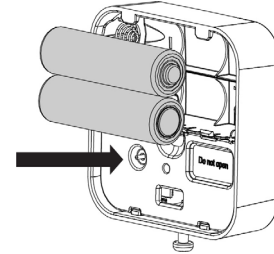


Figure 3 Press the tamper button

Caution: The EN1248 should be tested after registration to ensure operation. To test the EN1248, activate each of the conditions and ensure an appropriate response.

2.4 Mount the EN1248

1. Choose your mounting location, considering the following:
 - Coverage is measured from the detector to the point on the glass farthest from the detector.
 - The detector can be mounted as close as 3.28' (1m) from the glass.
 - Mounted on the opposite or adjoining walls, the maximum range is 26.2' (8m) for plate or glass.
 - Mounted on the ceiling, the maximum range is 19.6' (6m) for plate, tempered, laminated and wired glass.
 - For armor-coated glass, mount sensor no more than 11.9' (3.65m) from glass.
2. Use the included three mounting screws to mount the EN1248 to the wall.

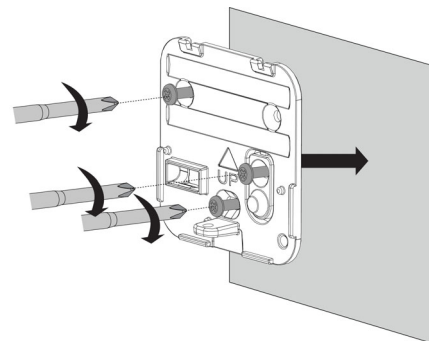


Figure 4 Mount the glassbreak detector



2.5 Test the EN1248

The EN1248 should be tested following installation. When in test mode the red test LED will light solid when the glass is within detection range. If the LED does not light solid, but continues blinking, reposition the detector closer to the protected windows, and retest. To initiate test mode:

1. Press the tamper button three times within three seconds.
2. Use a DSC AFT-100 Acuity® glassbreak simulator/tester to test functionality.

Note: The test LED only lights red while in test mode.

3 Specifications

Dimensions: 2.5" x 2.5" x .9" (63mm x 63mm x 22mm).

Weight (inc. battery) 4.2 oz (120 gr).

Operating temperature: 32°F to 120°F (0°C to 49°C).

Humidity: 0 - 93% (non-condensing).

Detection method: Omni-directional electric microphone.

Coverage area: Up to 26.2' (8m); 180° radius.

Battery: Two Energizer L91 AA lithium 1.5V batteries

Battery life: 2 years.

4 Television and Radio Interference

This equipment has been tested and found to comply with the limits for a Class B digital device, pursuant to Part 15 of the FCC Rules. These limits are designed to provide reasonable protection against harmful interference in a residential installation. This equipment generates, uses and can radiate radio frequency energy and, if not installed and used in accordance with the instructions, may cause harmful interference to radio communications. However, there is no guarantee that interference will not occur in a particular installation. If this equipment does cause harmful interference to radio or television reception, which can be determined by turning the equipment off and on, the user is encouraged to try to correct the interference by one or more of the following measures:

- Reorient or relocate the receiving antenna.
- Increase the separation between the equipment and receiver.
- Connect the equipment into an outlet on a circuit different from that to which the receiver is connected.
- Consult the dealer or an experienced radio/TV technician for help.

5 FCC Part 15 and Innovation, Science and Economic Development Canada (ISED) Compliance

This device complies with part 15 of the FCC Rules, and ISED license-exempt RSS standard(s). Operation is subject to the following two conditions: (1) this device may not cause interference, and (2) this device must accept any interference that may cause undesired operation of the device.

Le présent appareil est conforme aux CNR Innovation, Sciences et Développement économique Canada applicables aux appareils radio exempts de licence. L'exploitation est autorisée aux deux conditions suivantes: (1) l'appareil ne doit pas produire de brouillage, et (2) l'utilisateur de l'appareil doit accepter tout brouillage radioélectrique subi, même si le brouillage est susceptible d'en compromettre le fonctionnement.

Caution: Changes or modifications not expressly approved by the party responsible for compliance could void the user's authority to operate the equipment.

6 Radiation Exposure Limits

6.1 FCC

This equipment complies with FCC radiation exposure limits set forth for an uncontrolled environment. In order to avoid the possibility of exceeding the FCC radio frequency exposure limits, human proximity to the antenna shall not be less than 20 cm during normal operation and must not be co-located or operating in conjunction with any other antenna or transmitter.

6.2 ISED

This equipment complies with ISED RSS-102 radiation exposure limits set forth for an uncontrolled environment. This transmitter must be installed to provide a separation distance of at least 20 cm from all persons and must not be co-located or operating in conjunction with any other antenna or transmitter.

Cet équipement est conforme avec ISED RSS-102 des limites d'exposition aux rayonnements définies pour un environnement non contrôlé. Cet émetteur doit être installé à au moins 20 cm de toute personne et ne doit pas être colocalisé ou fonctionner en association avec une autre antenne ou émetteur.