



315 CTC Boulevard Louisville, CO 80027

303 939 9336

303 209 7242

Date: 2007/06/13

Federal Communications Commission  
 Authorization and Evaluation Division  
 7435 Oakland Mills Road  
 Columbia, MD 21046

Attn: OET Dept.

Ref: FCC Class II Permissive change for FCC ID: HCQ3B6PORUNV

Original Grant Date: 08/31/2006

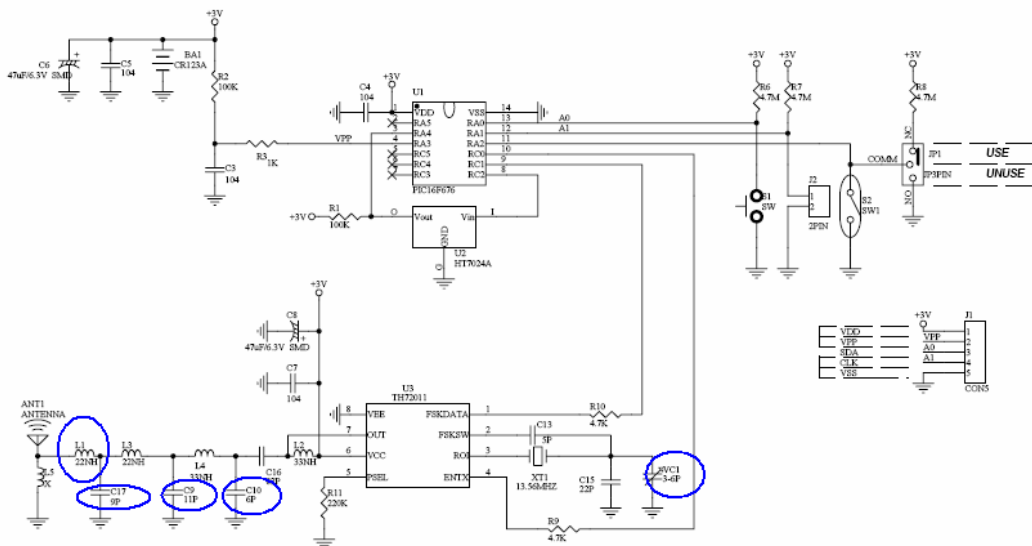
Applicant: Inovonics Wireless Corporation

Dear Examiner,

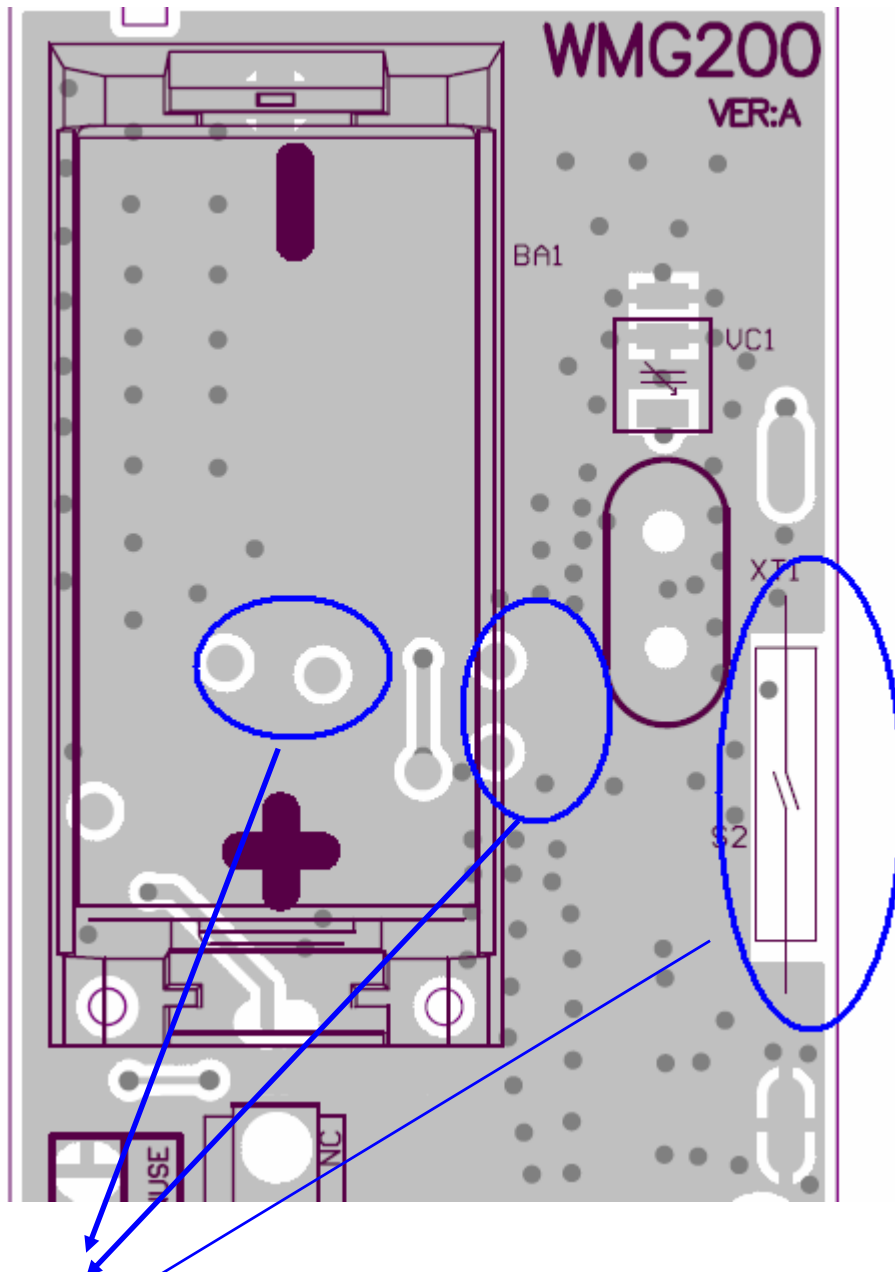
This is to request a Class II permissive change for FCC ID: HCQ3B6PORUNV , originally granted on 08/31/2006

The major change filed under this application is:

1. **C17 capacitance change to 9P from 3P;**
2. **C9 capacitance change to 11P from 3p;**
3. **C10 capacitance change to 6P from 5P;**
4. **VC1(adjuster of capacitor) change to 3-6P from 3-10P;**
5. **add L1(inductance) 22NH**



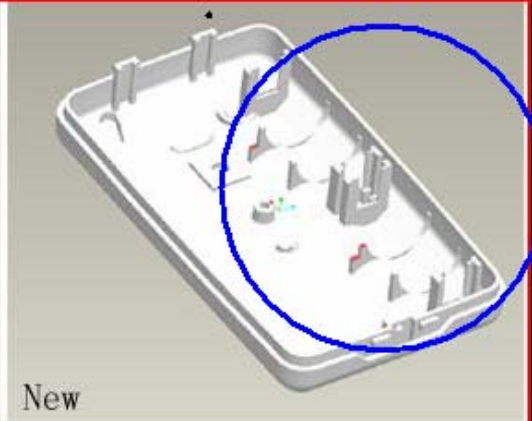
layout:



6. add test position for battery
7. change to SMD from DIP
8. layout has been changed
9. Externals:(as below)



Old



New

Pir Bottom Case



Old



New

MG100F Top Case

Sincerely yours,

A handwritten signature in black ink, appearing to read "J. B. Lewis". The signature is written in a cursive style and is positioned above a horizontal line.