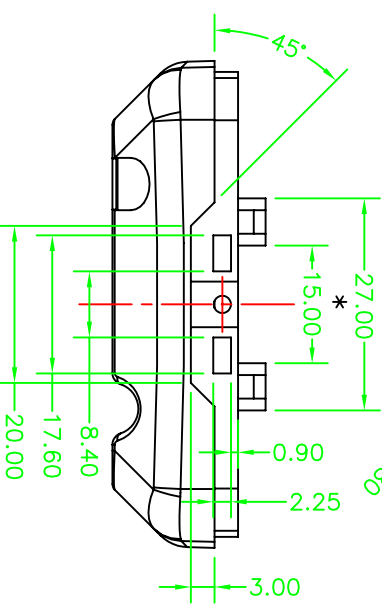
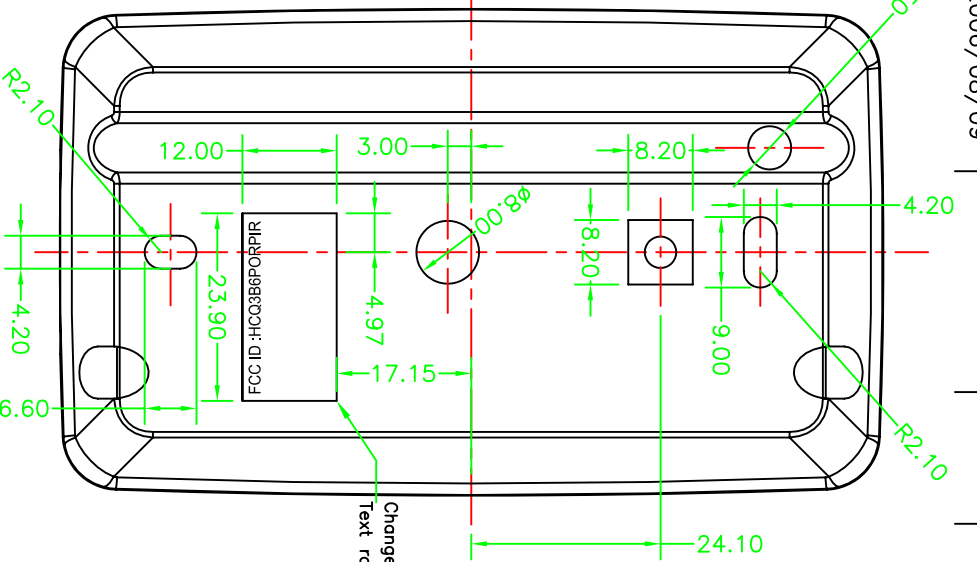
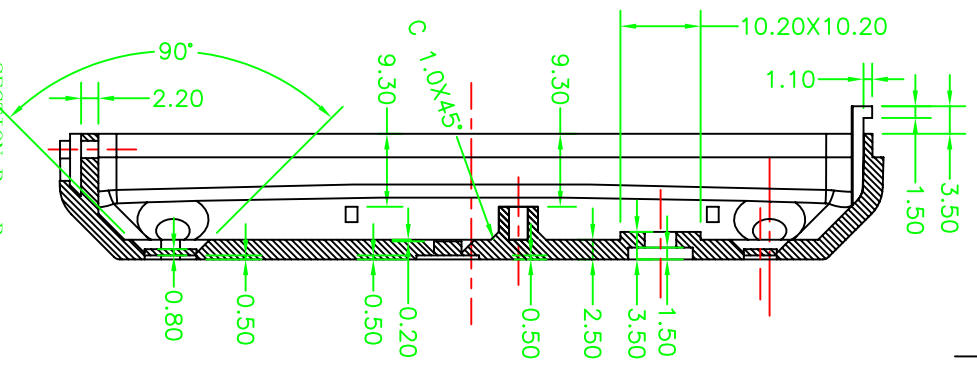
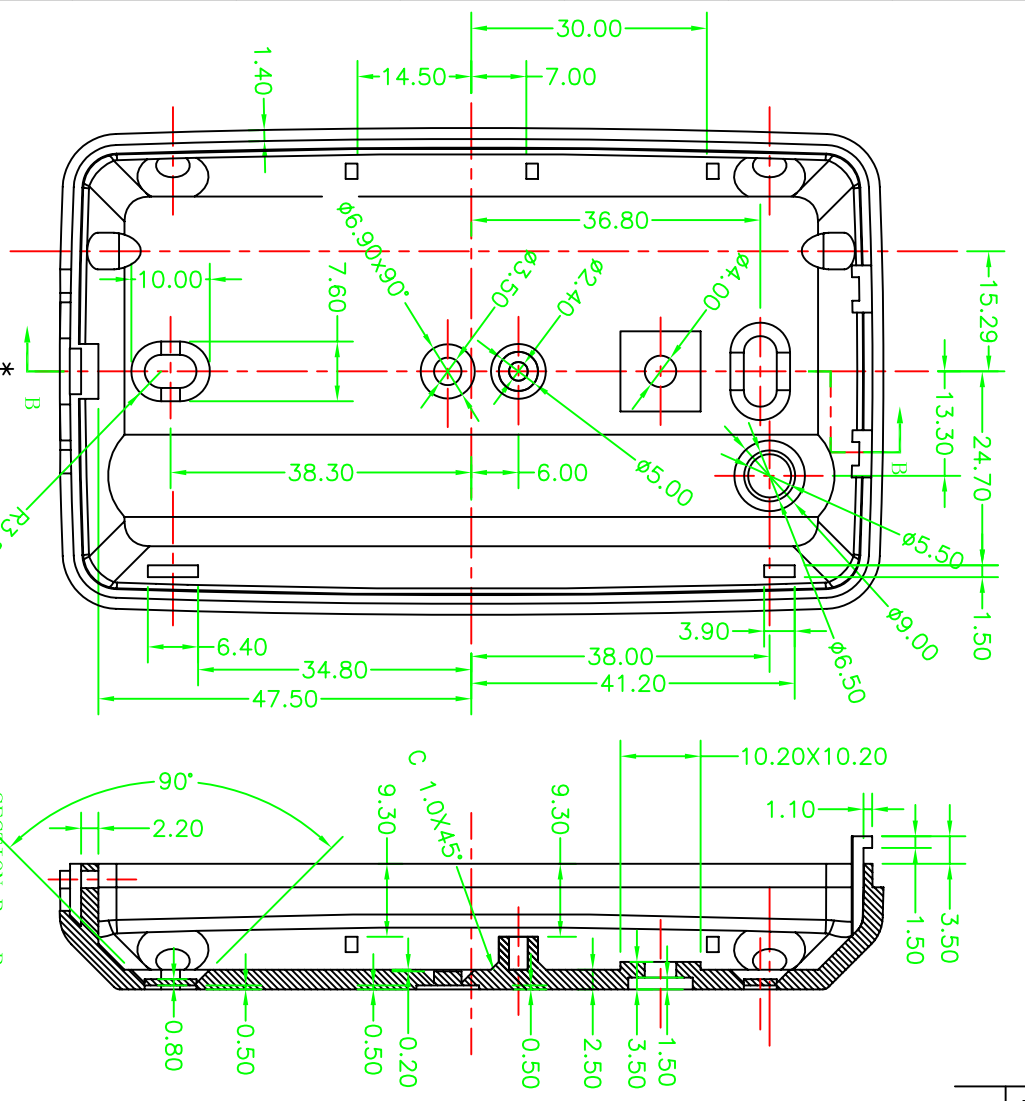


REV.	DATE	DESCRIPTION	APP'D	CHECKED	DRAWER
01	2006/08/09				Chiefland



detail A scale : 1.5X rotate : 180 deg

UNIT: MM	MATERIAL: ABS white	TITLE: PIR100 Bottom Case
TOLERANCE: 0. : $\pm 0.3$ 0.0 : $\pm 0.2$ 0.00 : $\pm 0.10$ A : $\pm 1.0$ Do not scale	FINISH:	PART NO: PL06-PR-1000B
SCALE: 1 : 1	PROJECTION 	DWG. NO. PL06-PR-1000B
	SIZE A4	SHEET NO: 1 OF 1



**PORTMAN**