

EN1261HT EchoStream® High Traffic Motion Detector Installation Instructions

1 Overview

The EN1261HT is a wireless motion detector that features a detection range of 50 feet, fixed or variable sleep time, a walk test feature, a front and rear tamper switch, and increased immunity to radio frequency interference, vibration, static, lighting ambient temperature changes, and other causes of false activation. The EN1261HT is supplied with a high capacity battery providing extended battery life in high traffic environments.

Caution: The EN1261HT needs one minute for stabilization after power up. During the stabilization period, the LED will blink twice per second, and the EN1261HT will not be operational.

1.1 Inovonics Wireless Contact Information

If you have any problems with this procedure, contact Inovonics Wireless technical services:

- E-mail: support@inovonics.com
- Phone: (800) 782-2709; (303) 939-9336

1.2 EN1261HT Components

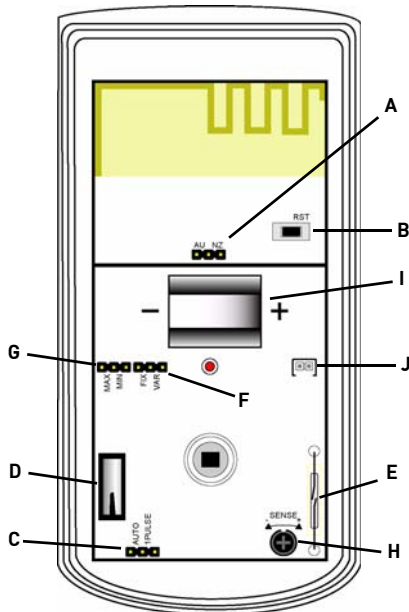


Figure 1 EN1261HT components

- | | | |
|----------------------------------|--------------------------------|-------------------------------|
| A. Frequency band selection pins | B. Reset button | C. Pulse count selection pins |
| D. Tamper switch | E. Test mode reed switch | F. Sleep time selection pins |
| G. Sleep duration selection pins | H. Sensitivity adjustment dial | I. Battery clip |
| J. Battery connector | | |

2 Installation and Startup

2.1 Install/Replace Battery

To install the battery:

1. Release the housing screw and gently raise the cover.

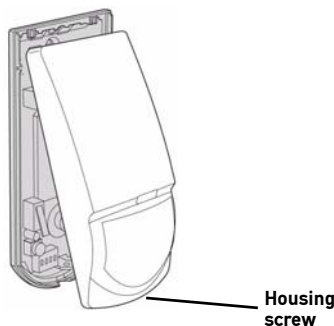


Figure 2 Open the cover

2. Install the battery in the battery clip, ensuring the battery connector cable is on the same side as the battery connector, shown as item J in Figure 1.
3. Plug the battery's connector cable into the battery connector.
4. Press the Reset button to initialize the transmitter.

Note: You must press the Reset button each time the battery is changed.

2.2 Select the Frequency Band

EchoStream products are able to use a range of radio frequencies, and must be configured for your geographic area. To configure the transmitter:

1. Place a selection jumper on the appropriate frequency band selection pins.

- Place the jumper on the left two pins, marked AU, to set the frequency range to 915-928 MHz for Australia.
- Place the jumper on the right two pins, marked NZ, to set the frequency range to 921-928 MHz for New Zealand.
- Leave the jumper off the pins to set the frequency range to 902-928 MHz for North America.

Note: Selection jumpers are included in the hardware bag.

2. Press the Reset button to initialize the transmitter.

Caution: When pressing the Reset button, make sure you don't also touch the frequency band selection pins. Touching the frequency band selection pins while pressing the Reset button can inadvertently set the EN1261HT to the wrong frequency band.

2.3 Select Automatic/Pulse Count

The pulse count jumper setting provides control for normal or difficult operating environments. Automatic pulse count is recommended for reliable operation in environments subject to temperature fluctuations that may cause false alarms. The single pulse count mode is more sensitive to minor temperature variations, and should be used in sites where variant heat sources will not cause false alarms.

1. Place a selection jumper on the appropriate pulse count selection pins.

- Place the jumper on the left two pins, marked AUTO, to select automatic pulse count.
- Place the jumper on the right two pins, marked 1 PULSE, to select single pulse count.

2.4 Select Fixed/Variable Sleep Time

In order to conserve battery life, the EN1261HT's sleep timer ignores all activations for a specific duration after the first activation.

When set to variable, if the EN1261HT senses motion, it will transmit an alarm, then enter sleep mode for the sleep time duration; if motion is sensed before the sleep time duration has expired, the EN1261HT will restart the sleep time duration. Variable sleep time is the recommended, default setting for high-traffic commercial environments.

Note: Variable is the default position.

When set to fixed, if the EN1261HT senses motion, it will transmit an alarm, then enter sleep mode until the sleep time duration expires; if motion is sensed when the sleep time duration has expired, the EN1261HT will transmit another alarm.

Note: The fixed setting is required for UL installations.

For more information on sleep time, see section 2.5, "Select Sleep Duration".

1. Place a selection jumper on the appropriate sleep count selection pins.

- Place the jumper on the right two pins, marked VAR, to select variable sleep time.
- Place the jumper on the left two pins, marked FIX, to select fixed sleep time.

2. Press the Reset button.

2.5 Select Sleep Duration

If the sleep duration is set to maximum, the sleep duration will be 180 seconds. Maximum is the recommended, default setting for most environments.

If the sleep duration is set to minimum and the sleep time is set to fixed, the EN1261HT will have a sleep time of 15 seconds for the first six transmissions while motion is still sensed, followed by one extended sleep period of 180 seconds. If the sleep duration is set to minimum and the sleep time is set to variable, the EN1261HT will have a sleep time of 30 seconds.

Caution: EN1261HT motion detectors set in the minimum mode will have a decreased battery life.

1. Place a selection jumper on the appropriate sleep duration selection pins.

- Place the jumper on the left two pins, marked MAX, to select a maximum sleep duration.
- Place the jumper on the right two pins, marked MIN, to select a minimum sleep duration.

2. Press the Reset button.

2.6 Adjust sensitivity

The sensitivity of the motion detector can be adjusted to fit your specific application. To adjust sensitivity:

1. Use a philip's head screwdriver to turn the sensitivity adjustment dial.

- Turn the dial to the left, towards the minus sign, to decrease the motion detector's sensitivity.
- Turn the dial to the right, towards the plus sign, to increase the motion detector's sensitivity.

2.7 Register the Transmitter

The EN1261HT must be registered with the system receiver in order to be monitored and supervised. Each EN1261HT has a unique factory-programmed identification number.

Note: The transmitter's unique identification number is the eight digit serial number found on the serial number label.

Refer to the receiver, network coordinator or control panel installation instructions for details on registering a transmitter.

1. When prompted, press the Reset button.
2. Replace the EN1261HT cover.
3. Replace the housing screw.

Caution: The EN1261HT should be tested after registration to ensure operation. To test the EN1261HT, activate each of the conditions and ensure an appropriate response.

Note: The EN1261HT retains programming data in non-volatile memory. It does not require re-programming after loss of power.

2.8 Mount the Transmitter

Mount the transmitter.

1. Remove the EN1261HT printed circuit board from the housing.
2. Use the included hardware to mount the EN1261HT housing back plate to the mounting surface.
 - a. If using the wall tamper function for increased security, mount the housing back plate per Figure 3, ensuring the tamper switch is depressed.

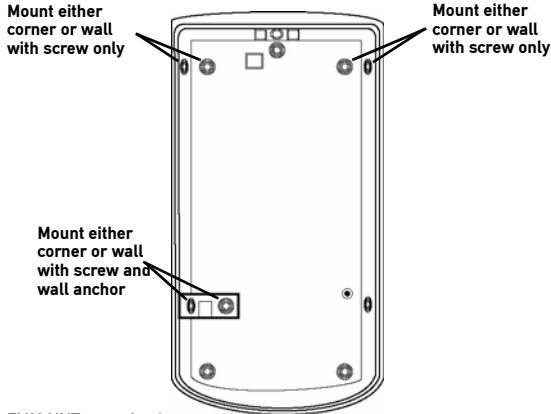


Figure 3 EN1261HT mounting back plate

- b. If not using the wall tamper, mount the housing back plate using all appropriate hardware.

2.1 Optional ceiling/wall mount application

The optional ceiling and wall mount brackets are available separately from Inovonics, part number ACC665.

Note: Applications that require the back tamper cannot use the ceiling or wall mount bracket.

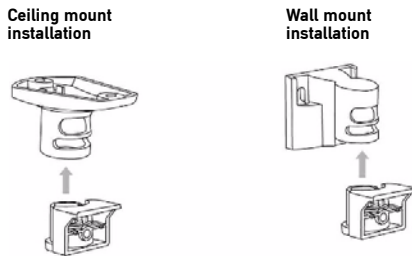


Figure 4 Ceiling and wall mount brackets

To mount a ceiling or wall bracket:

1. Remove the pcb board.

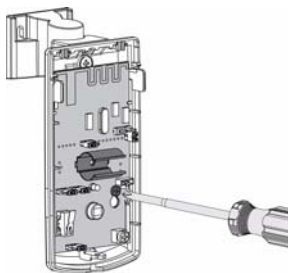


Figure 5 Remove the pcb board

2. Attach the housing to the bracket.

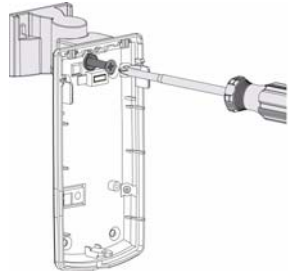


Figure 6 Attach the housing to the bracket

3. Replace the pcb board.

3 Test the EN1261HT

Caution: The EN1261HT should be tested after registration to ensure operation. To test the EN1261HT, activate each of the conditions and ensure an appropriate response.

3.1 Perform a Walk Test

The walk test is performed to ensure motion is sensed and an RF transmission results. To perform a walk test:

1. Swipe the magnet past the reed switch. The five minute walk test will begin; every time motion is sensed, the LED will light and the EN1261HT will transmit a signal.
2. Walk in front of the motion detector to test the sensor.
3. After five minutes the walk test will automatically end.

4 Operation

The EN1261HT transmitter signals an alarm condition when motion is detected by the sensor.

6' 10" - 8' 10"

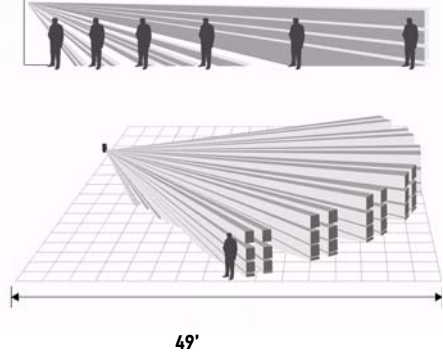


Figure 7 Standard mounting height and range

5 Specifications

Dimensions: 4.5"H x 2.5"W x 1.6"D (11.4 cm x 6.4 cm x 4.1 cm)

Detection method: Quad element PIR

Storage temperature: -4° to 140°F (-20° to 60°C)

Operating temperature: 14° to 122°F (-10° to 50°C)

Humidity: 0 - 90% (non-condensing)

Battery: 3V, 2.2Ah battery, BAT610

Temperature compensation: Yes

Tamper: Housing and wall tamper

PIR RF interference immunity: Greater than 30 v/m 26 MHz - 1 GHz

Stabilization period: One minute

Alarm lockout time: Three minutes (in fixed, maximum mode)

Walk test period: five minutes

Mounting height: 7' to 9' (2.1 to 2.7m)

6 Warranty/Disclaimer

Note: Changes or modifications to this unit not expressly approved by Inovonics may void the installer's authority to operate the equipment as well as the product warranty.

Inovonics Wireless Corporation ("Inovonics") warrants its EchoStream products ("Product" or "Products") to conform to its own specifications and to be free of defects in materials and workmanship under normal use for a period of thirty-six (36) months from the date of manufacture. Within the warranty period, Inovonics will repair or replace, at its option, all or any part of the warranted Product. Inovonics will not be responsible for dismantling and/or reinstallation charges. To exercise the warranty, the User ("User", "Installer" or "Consumer") must work directly through their authorized distributor who will be given a Return Material Authorization ("RMA") number by Inovonics. Details of shipment will be arranged directly through the authorized distributor.

This warranty is void in cases of improper installation, misuse, failure to follow installation and operating instructions, alteration, accident or tampering, and repair by anyone other than Inovonics.

This warranty is exclusive and expressly in lieu of all other warranties, obligations or liabilities, whether written, oral, express, or implied. There is no warranty by Inovonics that Inovonics product will be merchantable or fit for any particular purpose, nor is there any other warranty, expressed or implied, except as such is expressly set forth herein. In no event shall Inovonics be liable for an incidental, consequential, indirect, special, or exemplary damages, including but not limited to loss of profit, revenue, or contract, loss of use, cost of down time, or interruption of business, nor any claim made by distributor's customers or any other person or entity.

This warranty will not be modified or extended. Inovonics does not authorize any person to act on its behalf to modify or extend this warranty.

This warranty will apply only to Inovonics Products. Inovonics will not be liable for any direct, incidental, or consequential damage or loss whatsoever, caused by the malfunction of Product due to products, accessories, or attachments of other manufacturers, including batteries, used in conjunction with Inovonics Products.