

FCC LABEL



FCC LABEL

8	7	6	5	4	3	2	1				
				NO. <b>1ZI-986Z</b>	REV. ZN A	DESCRIPTION INITIAL RELEASE	DATE —	AUTH P6440-1	BY CB	CKD AS	APPD PB

**INOVONICS WIRELESS**

Part No. EN1550  
Mfg. MM/DD/YY


FCC ID: HCQ3B6ETIMT

BARCODE SERIAL No.

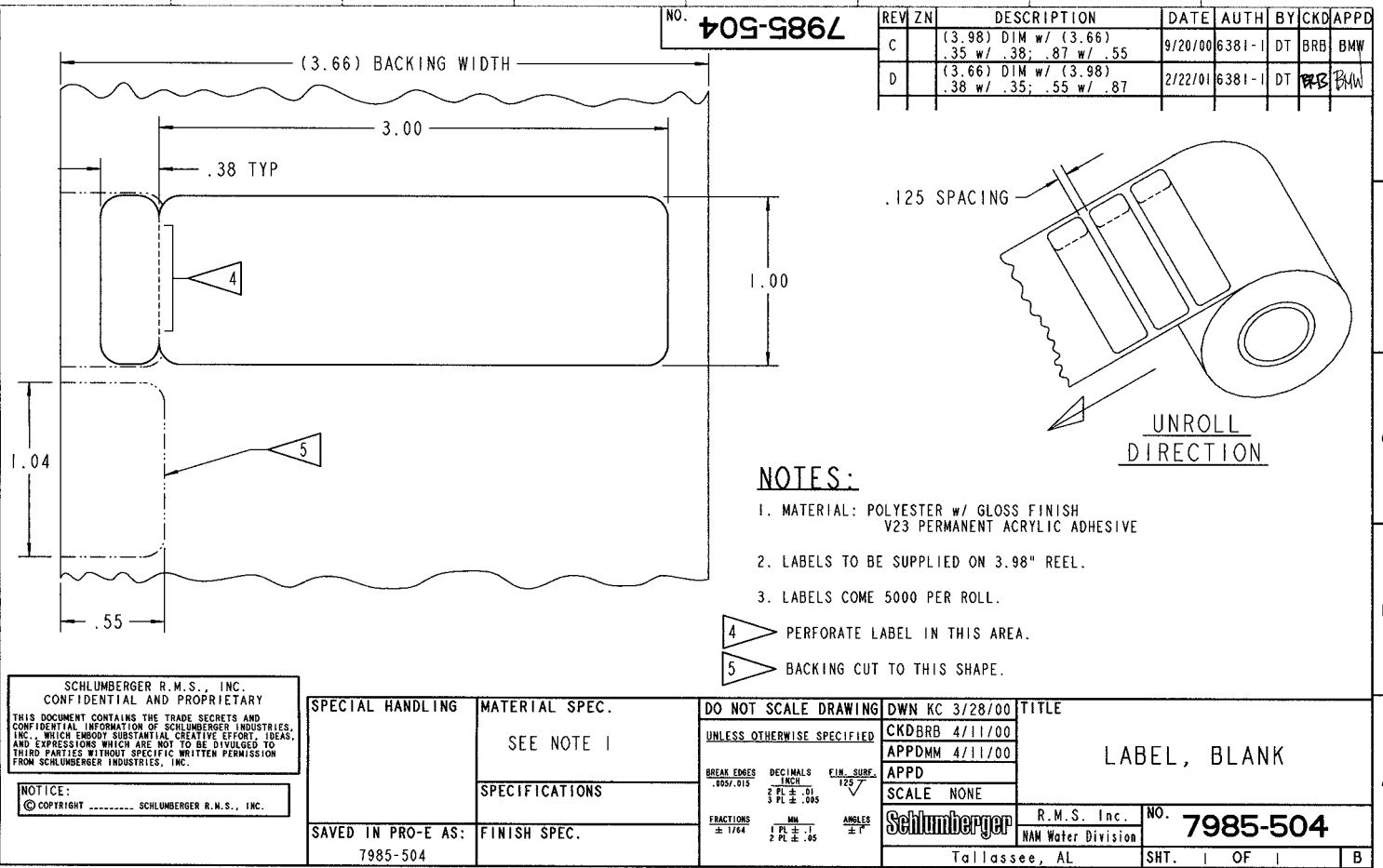
Integrated EchoStream<sup>®</sup> Transmitter

TX ID: XXXXXXX (BAR CODE HERE)

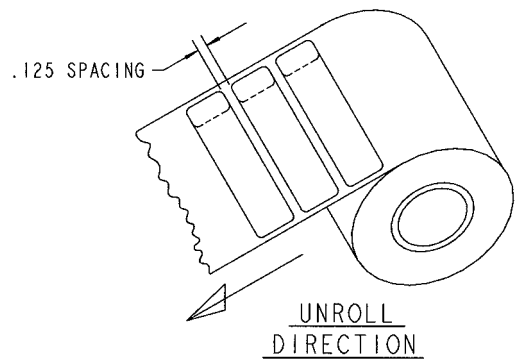
<p>NEPTUNE Technology Group, Inc. CONFIDENTIAL AND PROPRIETARY</p> <p><small>THIS DOCUMENT CONTAINS THE TRADE SECRETS AND CONFIDENTIAL INFORMATION OF NEPTUNE Technology Group, Inc. WHICH EMBODY SUBSTANTIAL CREATIVE EFFORT. IDEAS, AND EXPRESSIONS WHICH ARE NOT TO BE DIVULGED TO THIRD PARTIES WITHOUT SPECIFIC WRITTEN PERMISSION FROM NEPTUNE Technology Group, Inc.</small></p> <p>NOTICE: © COPYRIGHT ..... NEPTUNE Technology Group, Inc.</p>	<p>SPECIAL HANDLING</p>	<p>MATERIAL SPEC.</p> <p style="text-align: center;">MADE FROM 7985-504</p>	<p>DO NOT SCALE DRAWING</p> <p>UNLESS OTHERWISE SPECIFIED</p> <p><small>BREAK EDGES 0.05/015</small>    <small>DECIMALS 1/32</small>    <small>F.I.M. SURF. 125</small></p> <p><small>FRACTIONS 1/8</small>    <small>MM 1 PL ± .1</small>    <small>ANGLES ± P</small></p>	<p>DWN CB 5/15/06</p> <p>CKD <i>AS 5/15/06</i></p> <p>APPD <i>PB 5/15/06</i></p> <p>APPD</p> <p>SCALE 2 : 1</p>	<p>TITLE</p> <p style="text-align: center;">LABEL, FCC EN1550 (IMT)</p>
	<p>SAVED IN PRO-E AS: 7985-121</p>	<p>FINISH SPEC.</p>		<p>NO. <b>7985-121</b></p>	<p>SHT. 1 OF 1</p>

FCC LABEL



NO. 7985-504

REV	ZN	DESCRIPTION	DATE	AUTH	BY	CKD	APPD
C		(3.98) DIM w/ (3.66) .35 w/ .38; .87 w/ .55	9/20/00	6381-1	DT	BRB	BW
D		(3.66) DIM w/ (3.98) .38 w/ .35; .55 w/ .87	2/22/01	6381-1	DT	BRB	BW



NOTES:

1. MATERIAL: POLYESTER w/ GLOSS FINISH  
V23 PERMANENT ACRYLIC ADHESIVE
2. LABELS TO BE SUPPLIED ON 3.98" REEL.
3. LABELS COME 5000 PER ROLL.

- 4 PERFORATE LABEL IN THIS AREA.
- 5 BACKING CUT TO THIS SHAPE.

SCHLUMBERGER R.M.S., INC.  
CONFIDENTIAL AND PROPRIETARY

THIS DOCUMENT CONTAINS THE TRADE SECRETS AND CONFIDENTIAL INFORMATION OF SCHLUMBERGER INDUSTRIES, INC., WHICH EMBODY SUBSTANTIAL CREATIVE EFFORT, IDEAS, AND EXPRESSIONS WHICH ARE NOT TO BE DIVULGED TO THIRD PARTIES WITHOUT SPECIFIC WRITTEN PERMISSION FROM SCHLUMBERGER INDUSTRIES, INC.

NOTICE:  
© COPYRIGHT ..... SCHLUMBERGER R.M.S., INC.

SPECIAL HANDLING	MATERIAL SPEC.	DO NOT SCALE DRAWING	DWN KC 3/28/00	TITLE
	SEE NOTE 1	UNLESS OTHERWISE SPECIFIED	CKDBRB 4/11/00	LABEL, BLANK
	SPECIFICATIONS	BREAK EDGES .005/.015	APPDMM 4/11/00	
	FINISH SPEC.	DECIMALS 2 PL ± .01 3 PL ± .005	APPD	
SAVED IN PRO-E AS: 7985-504		FRACTIONS ± 1/64	SCALE NONE	
		ANGLES ± °	Schlumberger	R.M.S. Inc. NO. 7985-504
			Tallassee, AL	SH.   OF   B