

GENERAL INSTRUCTIONS:
 SUPPLIER TO INSURE CORRECT REVISION LEVEL DWG FOR PRODUCTION. CONTACT B&D PURCHASING DEPT. FOR LATEST REVISION LEVEL DWG.
 CONTACT B&D GRAPHICS DESIGN FOR ORIGINAL ARTWORK, COLOR STANDARDS AND CORPORATE GUIDELINES.
 PROOFS OF ALL REVISIONS THAT AFFECT ARTWORK AND ALL NEW COLOR FORMULATIONS MUST BE SUBMITTED TO B&D GRAPHICS DESIGN FOR APPROVAL PRIOR TO MAKING PRODUCTION PARTS. SEE EP-1006.
 SUPPLIER TO PROVIDE B&D GRAPHICS DESIGN WITH 6 SAMPLES OF ALL PRODUCTION PARTS. MARK B&D PART NO. AND REVISION LEVEL.

LABEL & MARKING LAYOUT COLOR VARIATIONS:

BACKGROUND: BLACK, ES006
 COPY/SYMBOL: DEEP YELLOW, ES477
 ! WARNING: BLACK ON ANSI ORANGE

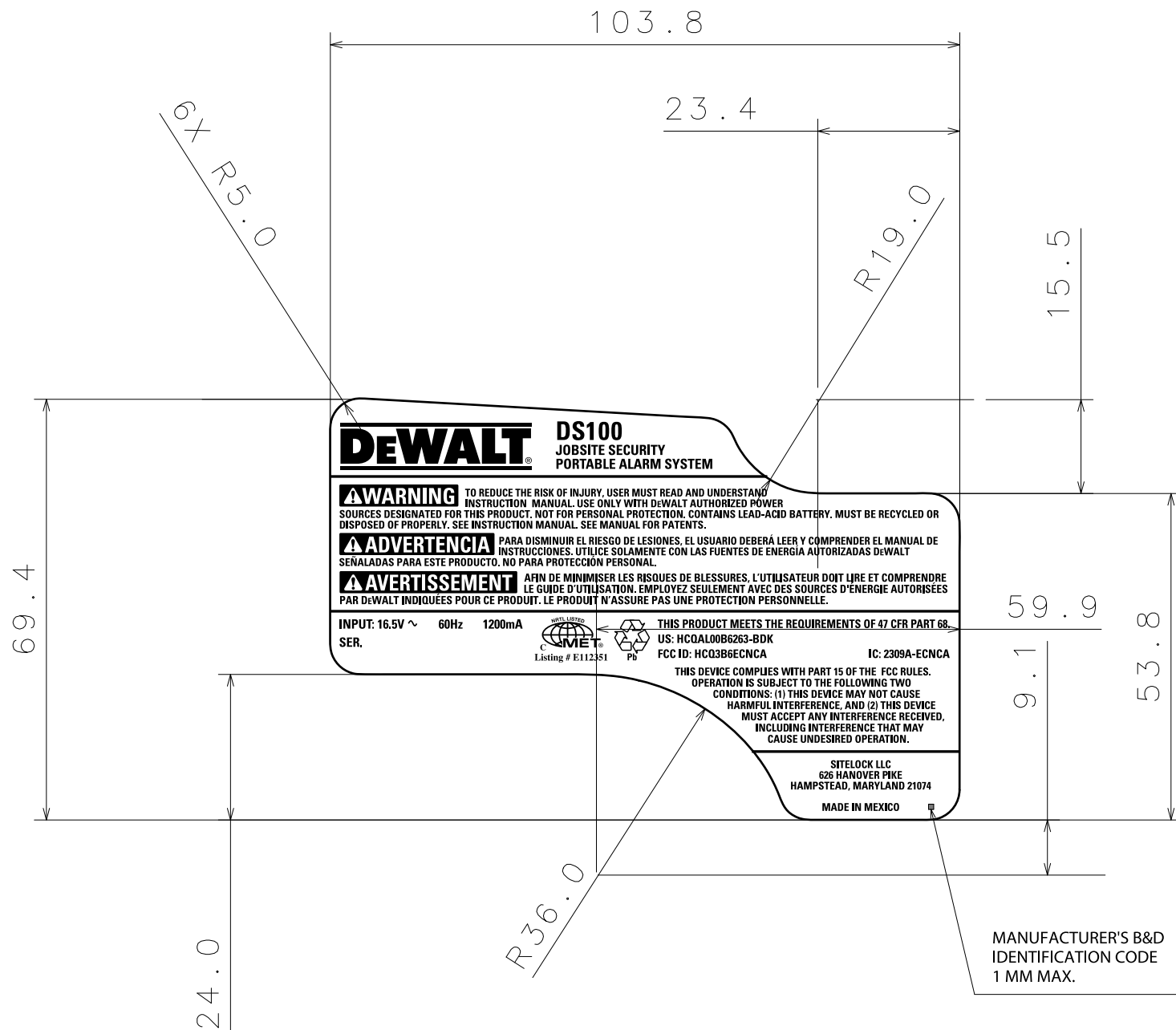
TOTAL NUMBER OF COLORS: 3

SYNTHETIC LABEL CONSTRUCTION:

SUPPLIER NAME:	LABEL MATERIAL:
TOPFLIGHT	P-660A OR 5 MIL POLYCARBONATE: 3 MIL CLEAR POLYESTER, SUB-SURFACED PRINTED, 2 MIL AS 113W ADHESIVE MATTE FINISH TEXTURED VARNISH OR EQUIVELANT

SPECIAL NOTES:

- SERIAL NO.'S TO BE SUB-SURFACE PRINTED, 4 DIGITS MIN. (START WITH 1001). RANDOM ORDER ACCEPTABLE. NO TWO NAMEPLATES TO HAVE IDENTICAL NO.'S. SEQUENCE TO BE ASSIGNED BY B&D PURCHASING DEPT. (APPLICABLE TO DeWALT PRODUCT ONLY.)
- ADHESIVE USED TO APPLY LABEL MUST BE A UL RECOGNIZED LABELING SYSTEM.
- ARTWORK PICTURED ON THIS DRAWING FOR REFERENCE PURPOSES ONLY. WHERE VARIATIONS BETWEEN DRAWING AND ORIGINAL ARTWORK EXIST, THE ARTWORK IS THE CONTROLLING DOCUMENT FOR GRAPHICAL REPRESENTATION ONLY. THIS DRAWING CONTROLS DIMENSIONS AND SPECS.



THIS DOCUMENT IS THE PROPERTY OF BLACK & DECKER INC.
 THE CONTENTS OF THIS DOCUMENT ARE CONFIDENTIAL AND CONSTITUTE TRADE SECRETS PROPRIETARY TO BLACK & DECKER INC.
 NEITHER THIS DOCUMENT NOR ITS' CONTENTS SHALL BE DISCLOSED TO ANY UNAUTHORIZED PERSON, COPIED OR PUBLISHED WITHOUT PRIOR WRITTEN CONSENT OF BLACK & DECKER INC.
 COPYRIGHT © 2004 BLACK & DECKER INC.

TOL UNLESS SPECIFIED	0 & 1 PLG DEC: ± 0.4
ANGLES: ± 1°	
ALL DIMENSIONS mm	
SIZE:	
SHEET:	1 of 1



FOR ITEM DATA SEE PRINTED REPORT

DOC NO: 626821-PDF1
 REV: 0 VERSION: 1
 TITLE: LABEL, N/P DS100
 EC: EC0223527 REL