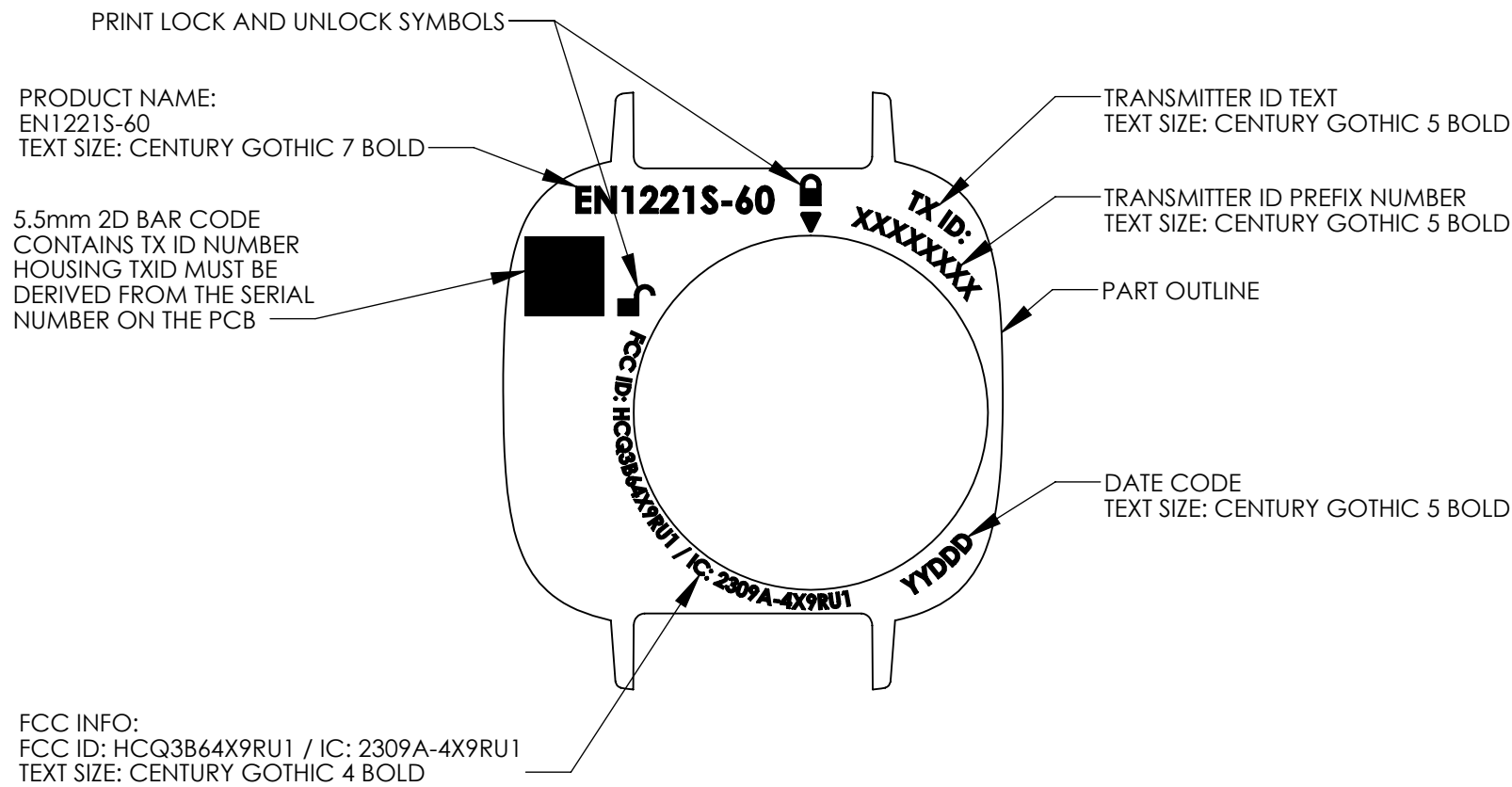
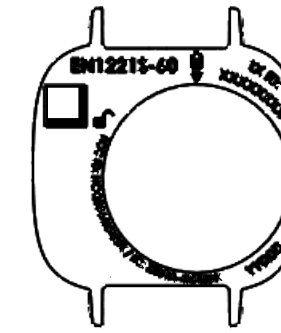


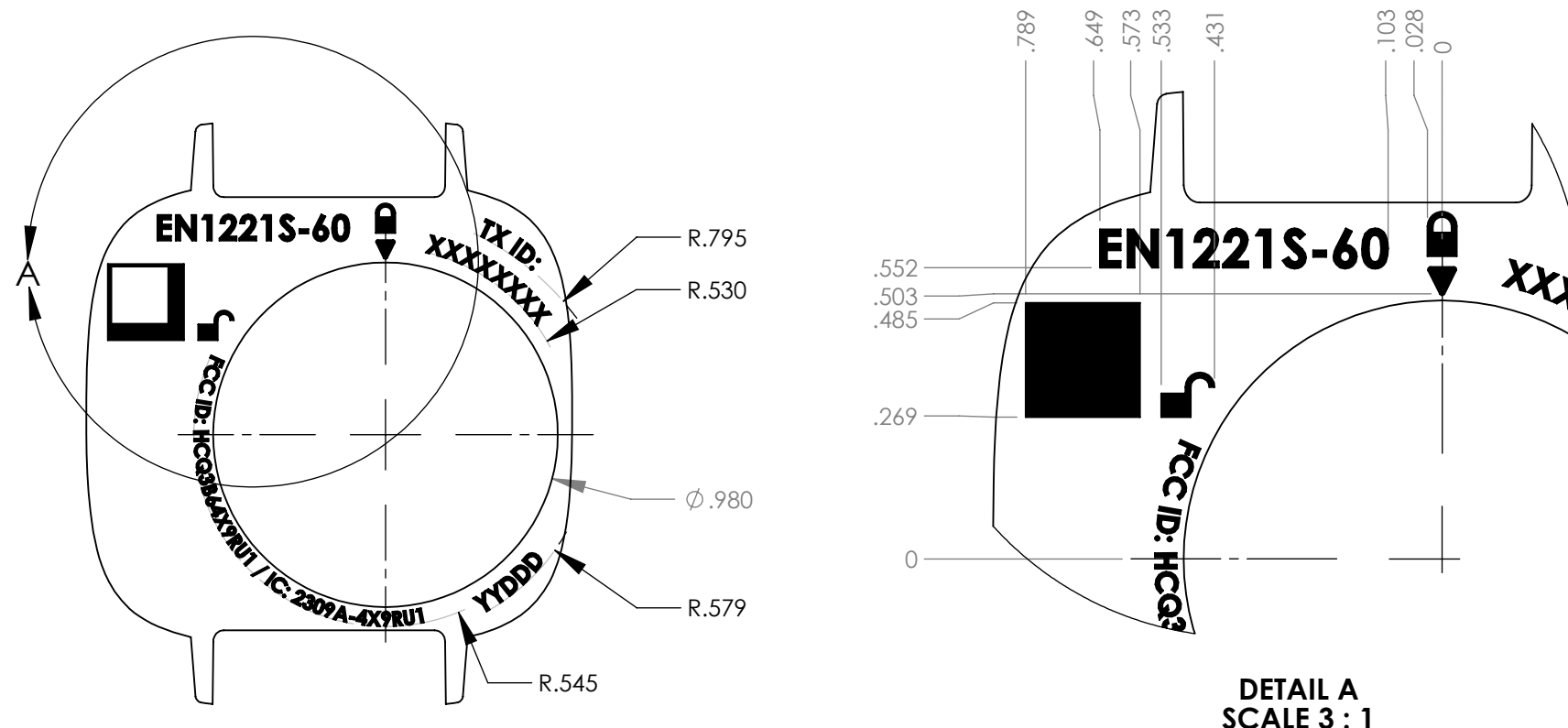
REVISIONS			
REV.	DESCRIPTIONS	DATE	ECO
1	INITIAL PROTOTYPE RELEASE	9/3/2014	OMNIFY
2	ADDED ALPHA 3 BUILD CODE	3/11/2015	OMNIFY
A	RELEASE FOR PRODUCTION	5/14/2015	OMNIFY
B	INCREASED 2D BARCODE FROM 4mm TO 5.5mm	10/27/2015	OMNIFY
C	UPDATED IC AND FCC NUMBER	2/5/2018	OMNIFY



PRELIMINARY



SCALE: 1:1



NOTES: UNLESS OTHERWISE SPECIFIED

1. ALL DIMENSIONS ARE IN INCHES
2. OUTLINE INDICATES PRINTABLE AREA NOT ACTUAL PART.
3. COLOR OF TEXT: BLACK
4. ARTWORK TO BE SUPPLIED BY INOVONICS.
5. A CERTIFICATION OF COMPLIANCE FOR MATERIAL AND QAP SPECIFICATION TO BE SUPPLIED WITH EACH SHIPMENT.
6. ALL MATERIALS MUST BE RoHS COMPLIANT TO THE CURRENT REVISION OF EU DIRECTIVE 2011/65/EU.
7. REFERENCE QUALITY ACCEPTANCE PLAN (QAP) DOC. QAP-06612.
8. CIRCLED DIMENSIONS ARE FOR QAP INSPECTION.

<p>CONFIDENTIAL DOCUMENTATION</p> <p>THE INFORMATION CONTAINED IN THIS DOCUMENT IS CONFIDENTIAL TO AND THE SOLE PROPERTY OF INOVONICS CORPORATION. RECEIPT OF THIS INFORMATION REQUIRES THE EXISTENCE AND FULL ACCEPTANCE OF THE TERMS AND CONDITIONS OF A NON DISCLOSURE AGREEMENT AND SIGNED BY THE INOVONICS CORPORATION AND THE RECIPIENT. THIS DOCUMENTATION IS NOT TO BE REPRODUCED OR REDISTRIBUTED EXCEPT AS PROVIDED IN THE NON DISCLOSURE AGREEMENT.</p>	<p>CAD GENERATED DRAWING, DO NOT MANUALLY UPDATE OR SCALE DRAWING.</p> <p>UNLESS OTHERWISE SPECIFIED</p>		<p>WWW.INOVONICS.COM</p>		
	MATERIAL:	SEE NOTES	DESCRIPTION:		
	VOLUME:	1883.580	<p>LBL-PEND1 BOT-LZR ETCH TEMPLATE</p>		
	TOLERANCE:	XXX=+/- .003 XX=+/- .010	PART NO:	06612	
	AUTHOR:	SL	REV.:	C	
DRAWN DATE:	2/6/2018	SCALE:	2:1	SIZE: B	SHEET 1 OF 1