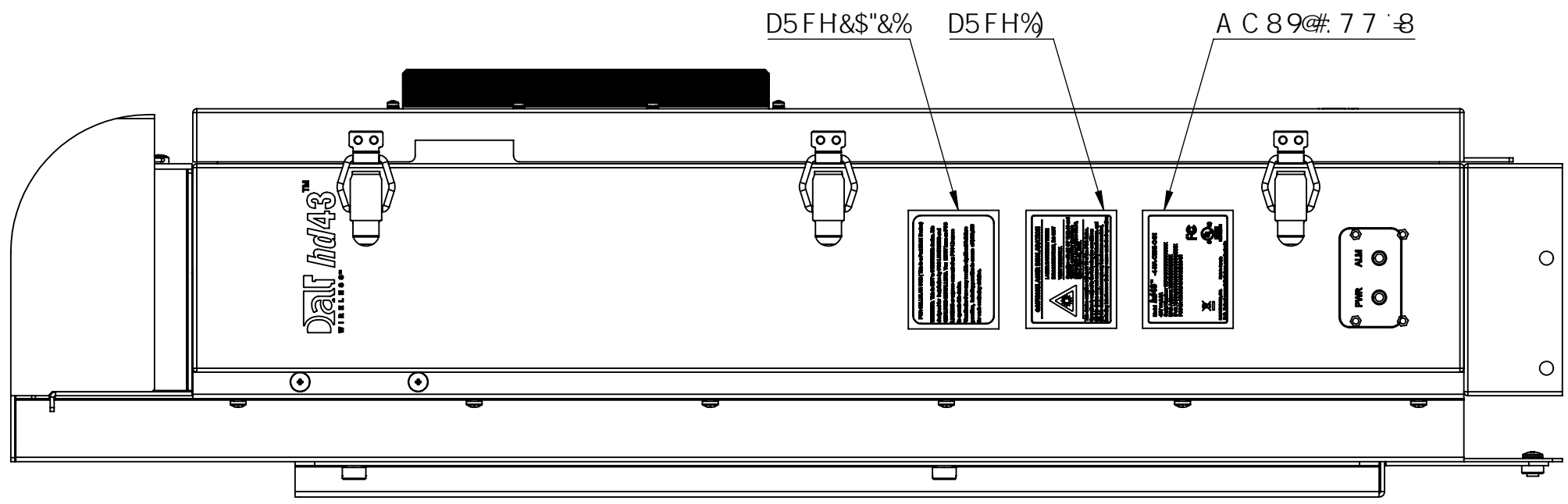


F9J G€ BG			
F9J "	89G7 F-ĐHC B	85H9	5DDFC J 98



H<9'B: CFA 5HC B'7 CBH5-B98 <9F9B'6DFC DF 9H5FMHC 85@K F9@GG' B7 5B8 6HC 69 1 G98 GC @M: CF 'H-9DI FDC G9' : CF K <7 < 'H6G DD@98" H G<5@BC H698 67 @ G98 'B' K <C @CF 'B D5FHHC 5BMC H-9F D5FHMK #kCI H 85@D9FA GGC B"	I B@GGC H-9FK 69 GD97 ÷ 98. 8 A 9BG€ BG5F9-B A @A 9HFG! HC @F5B7 9G	A 5H@	8F5K B 6M 6fmUb FjXYci h	85H9 %/#&, #&\$%* 85H9 ! 85H9 ! 85H9 ! 85H9 !	Dal 8U]K jfY Yggz bW \X(' 7 \UggE i UX!6UbX \$\$\$!\$\$\$\$\$ G7 5@.'''%' G<99H''%C: ''%		
	G F: 579: B-G< 1 %* a 896I FF / 6F95? G<5FD 7 CFB9FG	8 A 9BG€ BG/ HC @F5B7-B; 5F9HC 69-BH9FDF9H98 D9F 5GA 9M() A !\$\$- 5B8 5DD@MHC : B-G< 98 D5FH	: B-G<. : B-G<	7<97?98 A:: G DD@M7 <5-B, E 5"		6 6 6	F9J DFY
				DFC >97 HC B 8C 'BC HG7 5@8F5K B;			