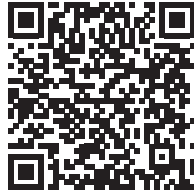


For the complete installation manual go to:
<https://support.partner.liftmaster.com/s/community-access-support>



WARNING: This product can expose you to chemicals including lead, which are known to the State of California to cause cancer or birth defects or other reproductive harm. For more information go to www.P65Warnings.ca.gov.

Connect Power

WARNING

To reduce the risk of SEVERE INJURY or DEATH:

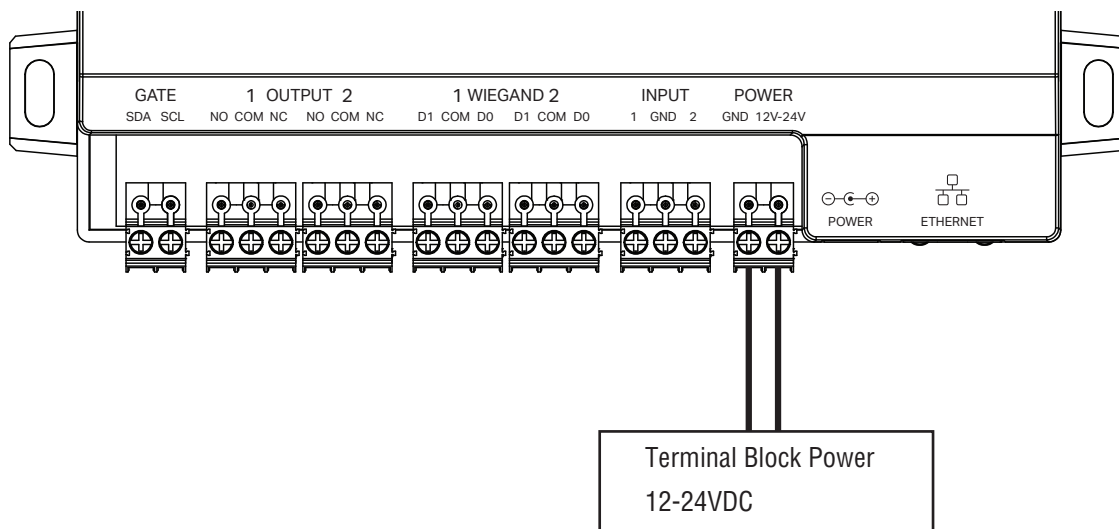
- Disconnect power at the fuse box BEFORE proceeding.
- To AVOID damaging gas, power or other underground utility lines, contact underground utility locating companies BEFORE digging.
- ALL electrical connections MUST be made by a qualified individual.
- ALL power and control wiring MUST be run in separate conduit.
- ANY maintenance to the CAPAC or in the area near the CAPAC MUST NOT be performed until disconnecting the electrical power. Upon completion of maintenance the area MUST be cleared and secured, at that time the unit may be returned to service.
- CAPAC MUST be properly grounded and connected in accordance with national and local electrical codes. NOTE: The CAPAC should be on a separate fused line of adequate capacity.

- All power wiring should be on a dedicated circuit and well protected. The location of the power disconnect should be visible and clearly labeled.
- To protect against fire and electrocution:
- Disconnect power BEFORE installing or servicing CAPAC.
 - NEVER connect a keypad/reader or lock to doors without first consulting the applicable fire code.
 - You MUST consult with, and get approval from, local fire officials BEFORE installing locks or devices on ANY doors that may be fire exits.
 - Use of egress push buttons may not be legal. Single action exits may be required.
 - ALWAYS obtain proper permits and approvals in writing BEFORE installing equipment.

NOTE: In UL installations the CAPAC shall be powered from the power limited output of a UL 294 Listed power supply, a UL 603 Listed power supply, a UL 294 Listed access control unit or a UL 325 gate operator.

CAUTION

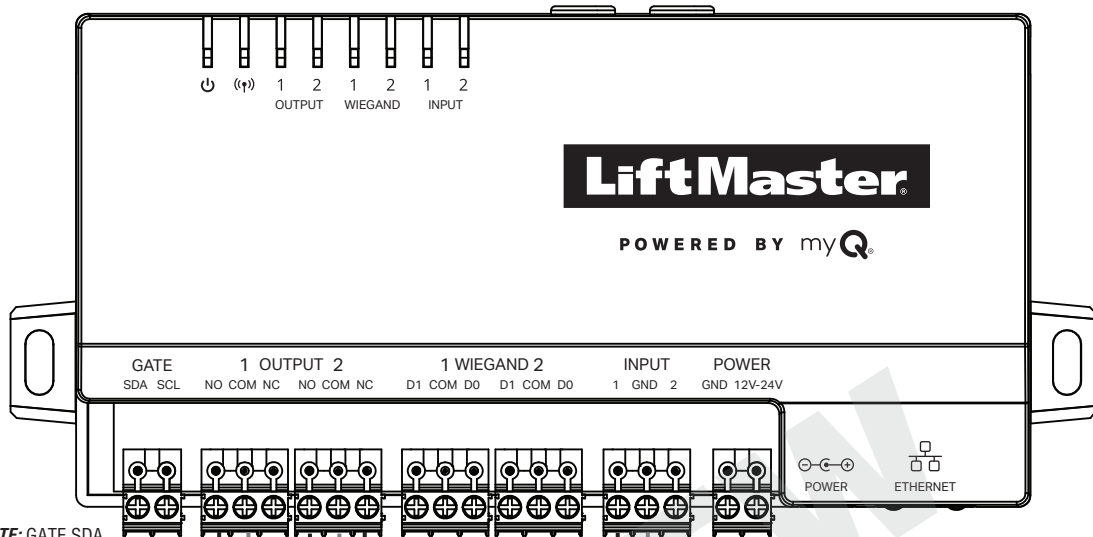
- DO NOT connect the power supply to a switched outlet or otherwise controlled AC outlet.
- DO NOT connect the power supply to the 120 Vac outlet until ALL wiring is completed.



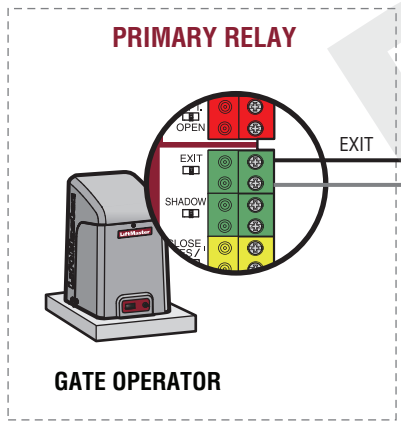
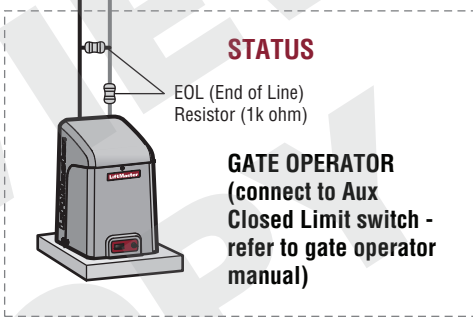
Gate Access

CAUTION

Not responsible for conflicts between the information listed in the wiring diagram and the requirements of your local building codes. The information is for suggested use ONLY. Check your local codes BEFORE installation.

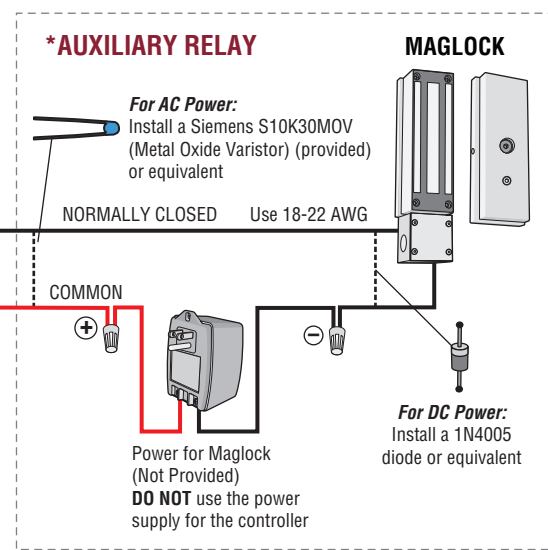
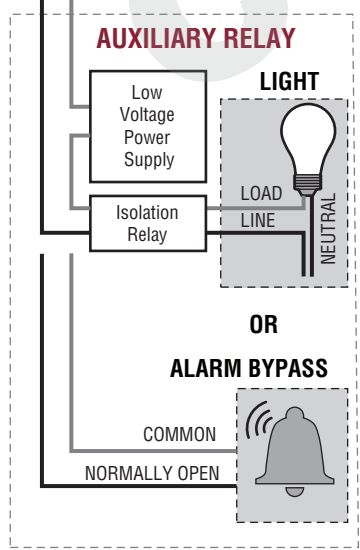


NOTE: GATE SDA SCL for future use - not currently available.



Refer to the Gate Operator manual for wiring details.

NOTE: For UL installations, only a UL 325 Listed Gate Operator, UL 294 Listed electric door strikes or UL 294 Listed Maglocks may be connected to relay output 1 or 2.



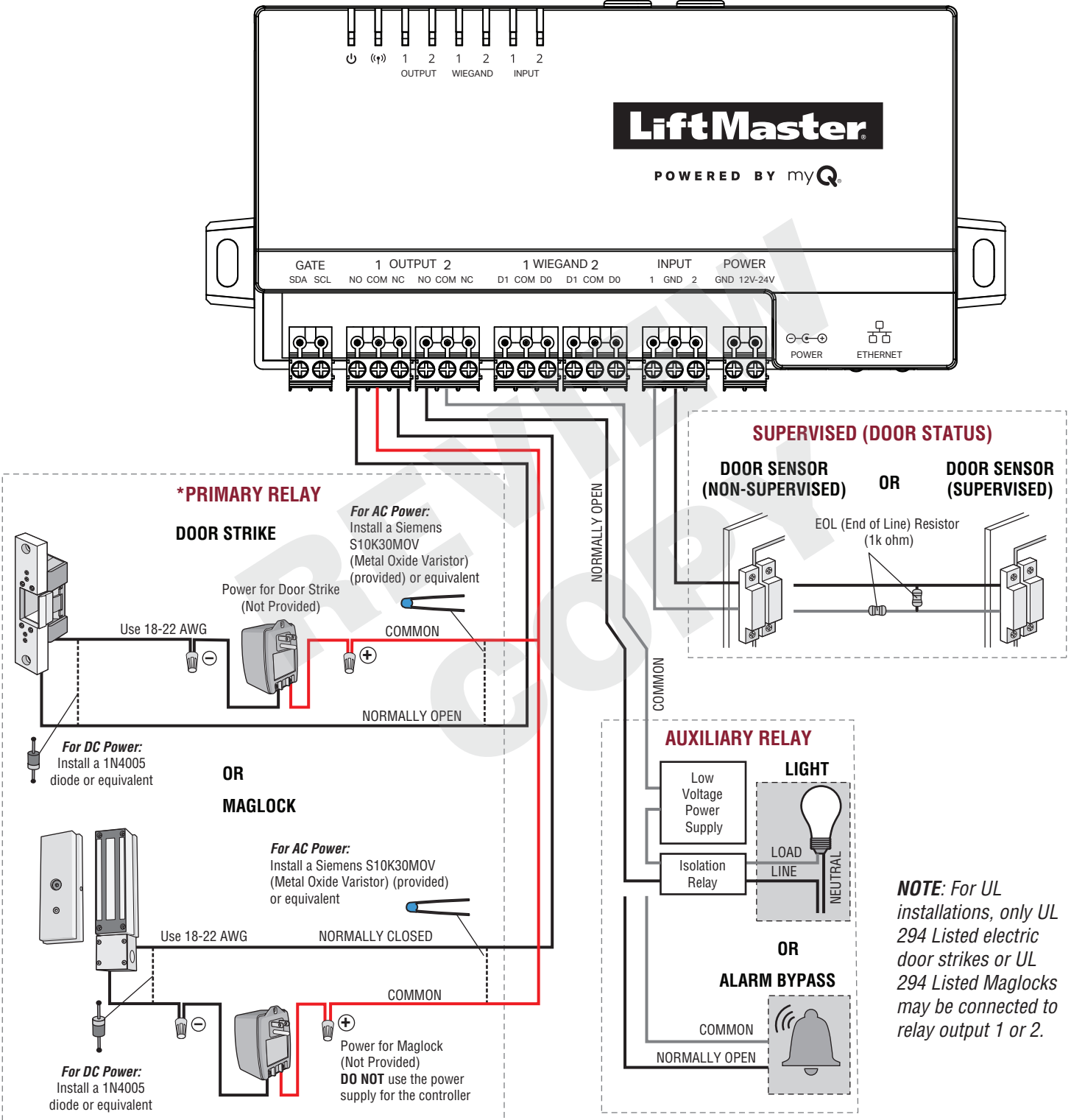
Door Access

WARNING

DO NOT INSTALL THE SYSTEM IN THE FAIL SECURE MODE UNLESS PERMITTED BY THE LOCAL AUTHORITY HAVING JURISDICTION. Doing so may cause interference with the operation of panic hardware.

CAUTION

Not responsible for conflicts between the information listed in the wiring diagram and the requirements of your local building codes. The information is for suggested use ONLY. Check your local codes BEFORE installation.



Door Access - Vestibule

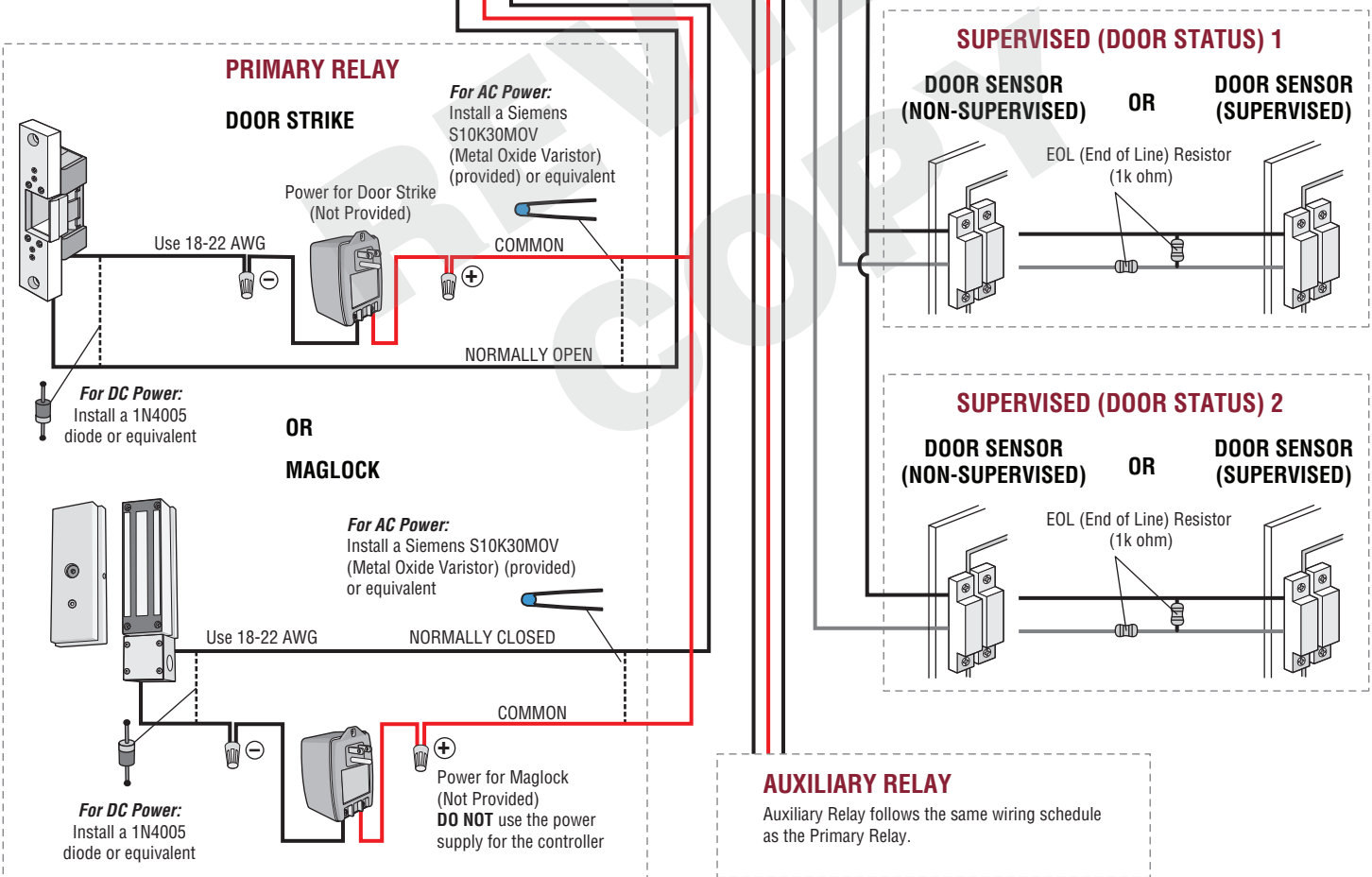
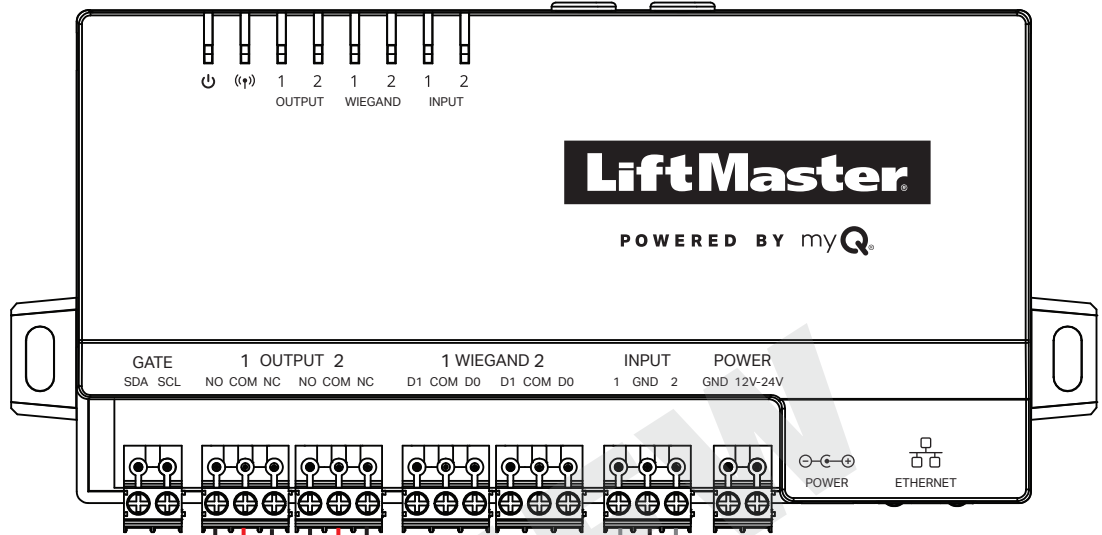
! WARNING

DO NOT INSTALL THE SYSTEM IN THE FAIL SECURE MODE UNLESS PERMITTED BY THE LOCAL AUTHORITY HAVING JURISDICTION. Doing so may cause interference with the operation of panic hardware.

! CAUTION

Not responsible for conflicts between the information listed in the wiring diagram and the requirements of your local building codes. The information is for suggested use ONLY. Check your local codes BEFORE installation.

NOTE: For UL installations, only UL 294 Listed electric door strikes or UL 294 Listed Maglocks may be connected to relay output 1 or 2.



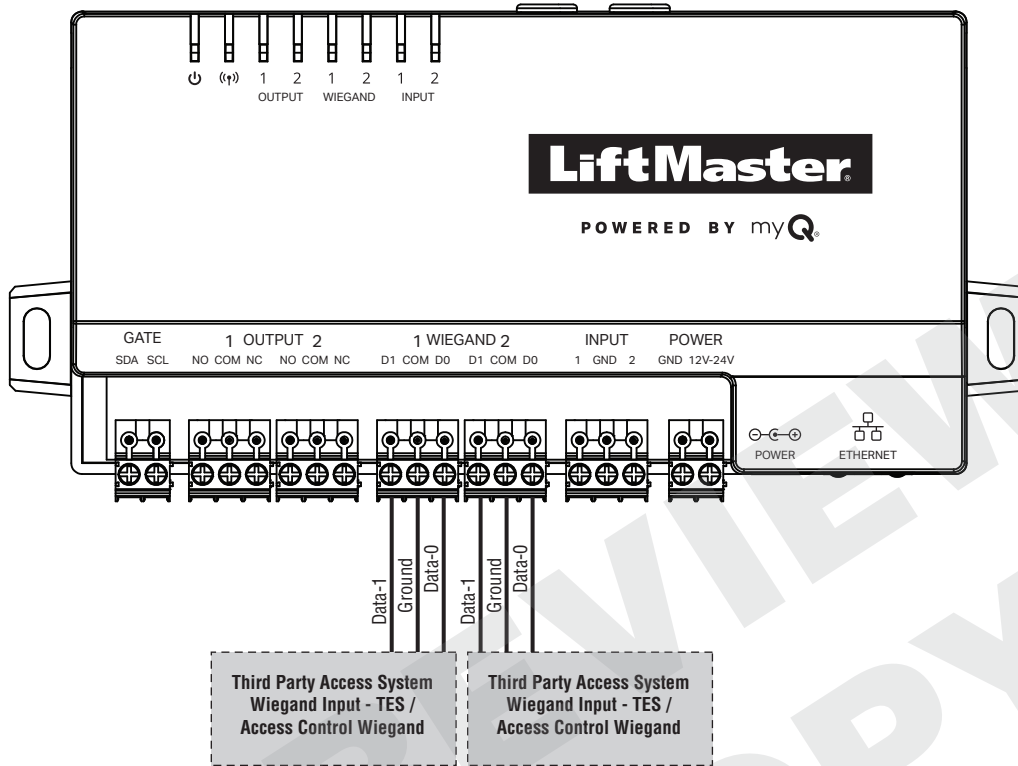
Wiegand Output

NOTE: Disconnect power *BEFORE* making electrical connections.

The CAPAC will send the pre-assigned credential, configured via myQ Community, to the TES via the Wiegand output.

⚠ CAUTION

Not responsible for conflicts between the information listed in the wiring diagram and the requirements of your local building codes. The information is for suggested use **ONLY**. Check your local codes **BEFORE** installation.



NOTE: For UL installations, only a Listed UL 294 access control unit may be connected to Wiegand output 1 or 2.

NOTICE: This device complies with part 15 of the FCC rules and Innovation, Science and Economic Development Canada license-exempt RSSs. Operation is subject to the following two conditions: (1) this device may not cause harmful interference, and (2) this device must accept any interference received, including interference that may cause undesired operation. Any changes or modifications not expressly approved by the party responsible for compliance could void the user's authority to operate the equipment.

This device must be installed to ensure a minimum 20 cm (8 in.) distance is maintained between users/bystanders and device.

This device has been tested and found to comply with the limits for a Class B digital device, pursuant to part 15 of the FCC rules and Industry Canada ICES standard. These limits are designed to provide reasonable protection against harmful interference in a residential installation. This equipment generates, uses and can radiate radio frequency energy and, if not installed and used in accordance with the instructions, may cause harmful interference to radio communications.

However, there is no guarantee that interference will not occur in a particular installation. If this equipment does cause harmful interference to radio or television reception, which can be determined by turning the equipment

off and on, the user is encouraged to try to correct the interference by one or more of the following measures:

- Reorient or relocate the receiving antenna.
- Increase the separation between the equipment and receiver.
- Connect the equipment into an outlet on a circuit different from that to which the receiver is connected.
- Consult the dealer or an experienced radio/TV technician for help.

AVIS: Cet appareil est conforme à la partie 15 des règles de la FCC et aux RSS sans licence d'Innovation, Sciences et Développement économique Canada. Son fonctionnement est soumis aux deux conditions suivantes: (1) cet appareil ne doit pas causer d'interférences nuisibles, et (2) cet appareil doit accepter toute interférence reçue, y compris les interférences pouvant entraîner un fonctionnement indésirable. Tout changement ou modification non expressément approuvé par la partie responsable de la conformité pourrait annuler le droit de l'utilisateur à faire fonctionner l'équipement.

Cet appareil doit être installé de manière à garantir une distance minimale de 20 cm (8 po) entre les utilisateurs / spectateurs et l'appareil.

Cet appareil a été testé et déclaré conforme aux limites d'un appareil numérique de classe B, conformément à la partie 15 des règles FCC et à la norme ICES d'Industrie Canada. Ces limites sont conçues pour fournir une protection raisonnable contre les interférences nuisibles dans une installation résidentielle. Cet équipement génère, utilise et peut émettre de l'énergie radiofréquence et, s'il n'est pas installé et utilisé conformément aux instructions, peut provoquer des interférences nuisibles aux communications radio.

Cependant, il n'y a aucune garantie que des interférences ne se produiront pas dans une installation particulière. Si cet équipement cause des interférences nuisibles à la réception de la radio ou de la télévision, ce qui peut être déterminé en tournant l'équipement

éteint et allumé, l'utilisateur est encouragé à essayer de corriger l'interférence par une ou plusieurs des mesures suivantes:

- Réorientez ou déplacez l'antenne de réception.
- Augmentez la séparation entre l'équipement et le récepteur.
- Connectez l'équipement à une prise sur un circuit différent de celui sur lequel le récepteur est connecté.
- Consultez le revendeur ou un technicien radio / TV expérimenté pour obtenir de l'aide.

© 2021, LiftMaster
All Rights Reserved
Tous droits réservés
Todos los derechos reservados

LiftMaster
300 Windsor Drive
Oak Brook, IL 60523
LiftMaster.com