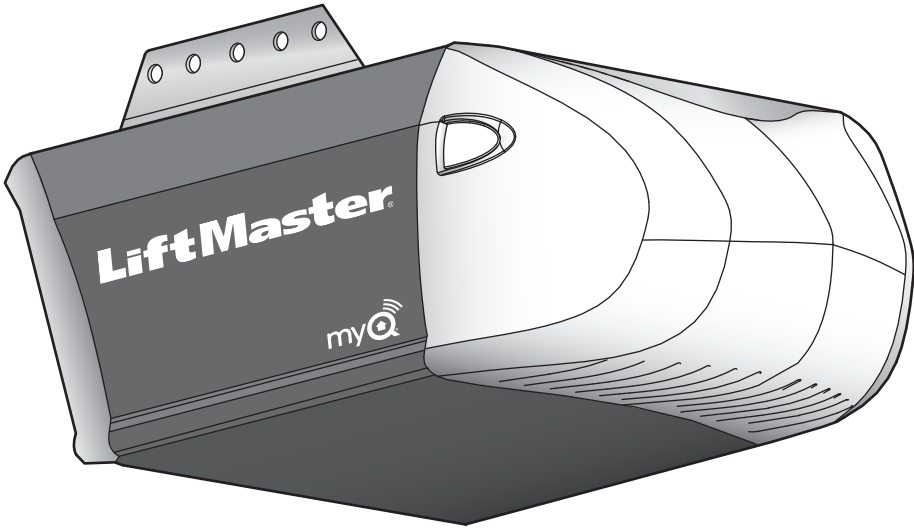


# LiftMaster®

## USER'S GUIDE FOR RESIDENTIAL USE ONLY



### CONTRACTOR Series Garage Door Opener MODELS 8155 • 8160 • 8165 • 8065 • 8075

- Please read this guide and the enclosed safety materials carefully!
- The door **WILL NOT CLOSE** unless the Protector System® is connected and properly aligned.
- Periodic checks of the garage door opener are required to ensure safe operation.
- This garage door opener is **ONLY** compatible with MyQ® and Security+ 2.0® accessories.
- **DO NOT** install on a one-piece door if using devices or features providing unattended close. Unattended devices and features are to be used **ONLY** with sectional doors.
- Attach enclosed warning labels to the location indicated on label.

**Register your garage door opener to receive  
updates and offers from LiftMaster**



**1** Take a photo of the camera icon including the points (⊙).

**2** Send it in by texting the photo to 71403 (US) or visit [www.liftmaster.photo](http://www.liftmaster.photo) (Global)

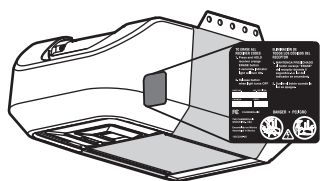


LiftMaster.com

LiftMaster  
845 Larch Avenue  
Elmhurst, Illinois 60126-1196

# Contents

Important Safety Instructions .....	3-4
Operation.....	5
Using the Door Control.....	6
Programming - Push Button Door Control .....	6
Programming - Multi-Function Control Panel .....	7
Programming - Remote Controls.....	8
To Erase the Memory .....	8
To Open the Door Manually .....	9
Adjustment.....	10
Program the Travel.....	11
Test the Safety Reversal System.....	12
Test the Protector System®.....	12
Maintenance.....	13
Troubleshooting.....	14-15
Repair Parts .....	16
Accessories.....	17
Registration.....	17
Warranty .....	18



Write down the following information for future reference:

Serial Number:

Date of Purchase:

## Safety Symbol and Signal Word Review

This garage door opener has been designed and tested to offer safe service provided it is installed, operated, maintained and tested in strict accordance with the instructions and warnings contained in this manual.

When you see these Safety Symbols and Signal Words on the following pages, they will alert you to the possibility of **serious injury or death** if you do not comply with the warnings that accompany them. The hazard may come from something mechanical or from electric shock. Read the warnings carefully.



**Mechanical**



**Electrical**

When you see this Signal Word on the following pages, it will alert you to the possibility of damage to your garage door and/or the garage door opener if you do not comply with the cautionary statements that accompany it. Read them carefully.



## Unattended Operation

The Timer-to-Close (TTC) feature, the MyQ® Smartphone Control app, and MyQ® Garage Door and Gate Monitor are examples of unattended close and are to be used **ONLY** with sectional doors. Any device or feature that allows the door to close without being in the line of sight of the door is considered unattended close. The Timer-to-Close (TTC) feature, the MyQ® Smartphone Control, and any other MyQ® devices are to be used **ONLY** with sectional doors.

## CONTACT INFORMATION

Leave this Users Guide with the homeowner.



*The images throughout this manual are for reference and your product may look different.*

## IMPORTANT INSTALLATION INSTRUCTIONS



### To reduce the risk of SEVERE INJURY or DEATH:

1. READ AND FOLLOW ALL WARNINGS AND INSTRUCTIONS.
2. Install garage door opener ONLY on properly balanced and lubricated garage door. An improperly balanced door may NOT reverse when required and could result in SEVERE INJURY or DEATH.
3. ALL repairs to cables, spring assemblies and other hardware MUST be made by a trained door systems technician BEFORE installing opener.
4. Disable ALL locks and remove ALL ropes connected to garage door BEFORE installing opener to avoid entanglement.
5. Install garage door opener 7 feet (2.13 m) or more above floor.
6. Mount the emergency release within reach, but at least 6 feet (1.83 m) above the floor and avoiding contact with vehicles to avoid accidental release.
7. NEVER connect garage door opener to power source until instructed to do so.
8. NEVER wear watches, rings or loose clothing while installing or servicing opener. They could be caught in garage door or opener mechanisms.
9. Install wall-mounted garage door control:
  - within sight of the garage door.
  - out of reach of children at minimum height of 5 feet (1.5 m).
  - away from ALL moving parts of the door.
10. Place entrapment warning label on wall next to garage door control.
11. Place manual release/safety reverse test label in plain view on inside of garage door.
12. Upon completion of installation, test safety reversal system. Door MUST reverse on contact with a 1-1/2" (3.8 cm) high object (or a 2x4 laid flat) on the floor.
13. To avoid SERIOUS PERSONAL INJURY or DEATH from electrocution, disconnect ALL electric and battery power BEFORE performing ANY service or maintenance.
14. DO NOT install on a one-piece door if using devices or features providing unattended close. Unattended devices and features are to be used ONLY with sectional doors.
15. **SAVE THESE INSTRUCTIONS.**

**NOTE:** For complete installation instructions visit [LiftMaster.com](http://LiftMaster.com) to print the entire owner's manual.

## IMPORTANT SAFETY INSTRUCTIONS



### To reduce the risk of SEVERE INJURY or DEATH:

1. READ AND FOLLOW ALL WARNINGS AND INSTRUCTIONS.
2. ALWAYS keep remote controls out of reach of children. NEVER permit children to operate or play with garage door control push buttons or remote controls.
3. ONLY activate garage door when it can be seen clearly, it is properly adjusted, and there are no obstructions to door travel.
4. ALWAYS keep garage door in sight and away from people and objects until completely closed. NO ONE SHOULD CROSS THE PATH OF THE MOVING DOOR.
5. NO ONE SHOULD GO UNDER A STOPPED, PARTIALLY OPENED DOOR.
6. If possible, use emergency release handle to disengage trolley ONLY when garage door is CLOSED. Use caution when using this release with the door open. Weak or broken springs or unbalanced door could result in an open door falling rapidly and/or unexpectedly and increasing the risk of SEVERE INJURY or DEATH.
7. NEVER use emergency release handle unless garage doorway is clear of persons and obstructions.
8. NEVER use handle to pull garage door open or closed. If rope knot becomes untied, you could fall.
9. After ANY adjustments are made, the safety reversal system MUST be tested.
10. Safety reversal system MUST be tested every month. Garage door MUST reverse on contact with 1-1/2" high (3.8 cm) object (or a 2x4 laid flat) on the floor. Failure to adjust the garage door opener properly increases the risk of SEVERE INJURY or DEATH.
11. ALWAYS KEEP GARAGE DOOR PROPERLY BALANCED. An improperly balanced door may NOT reverse when required and could result in SEVERE INJURY or DEATH.
12. ALL repairs to cables, spring assemblies and other hardware, ALL of which are under EXTREME tension, MUST be made by a trained door systems technician.
13. ALWAYS disconnect electric power to garage door opener BEFORE making ANY repairs or removing covers.
14. This operator system is equipped with an unattended operation feature. The door could move unexpectedly. NO ONE SHOULD CROSS THE PATH OF THE MOVING DOOR.
15. DO NOT install on a one-piece door if using devices or features providing unattended close. Unattended devices and features are to be used ONLY with sectional doors.
16. **SAVE THESE INSTRUCTIONS.**

# Operation

Your garage door opener is equipped with features to provide you with greater control over your garage door operation.

## ALERT2CLOSE

The Alert2Close feature provides a visual and an audible alert that an unattended door is closing.

## TIMER-TO-CLOSE (TTC)

The Timer-to-Close feature automatically closes the door after a specified time period that can be adjusted using a TTC enabled door control (Models 881LMW or 880LM). Prior to and during the door closing the garage door opener lights will flash and the garage door opener will beep.

## MyQ®

MyQ® technology uses a 900MHz signal to provide two-way communication between the garage door opener and MyQ® enabled accessories. Your garage door opener is compatible with up to 16 MyQ® accessories.

## SECURITY+ 2.0® REMOTE CONTROLS AND DOOR CONTROLS

Your garage door opener has already been programmed at the factory to operate with your remote control, which changes with each use, randomly accessing over 100 billion new codes. Compatible with MyQ® and Security+ 2.0® accessories, see page 17.

**NOTE:** Older LiftMaster remote controls, door controls, and third party products are not compatible.

Security+ 2.0® Accessories	MEMORY CAPACITY
Remote Controls	Up to 12
Door Controls	Up to 2 Smart Control Panels or 4 of any other Security+ 2.0® door controls
Keyless Entries	Up to 1

## THE PROTECTOR SYSTEM® (SAFETY REVERSING SENSORS)

When properly connected and aligned, the safety reversing sensors will detect an obstruction in the path of the infrared beam. If an obstruction breaks the infrared beam while the door is closing, the door will stop and reverse to full open position, and the opener lights will flash 10 times. If the door is fully open, and the safety reversing sensors are not installed, or are misaligned, the door will not close from a remote control. However, you can close the door if you hold the button on the door control or keyless entry until the door is fully closed. The safety reversing sensors do not affect the opening cycle.

## ENERGY CONSERVATION

For energy efficiency the garage door opener will enter sleep mode when the door is fully closed. The sleep mode shuts the garage door opener down until activated. The sleep mode is sequenced with the garage door opener light bulb; as the light bulb turns off the sensor LEDs will turn off and whenever the garage door opener lights turn on the sensor LEDs will light. The garage door opener will not go into the sleep mode until the garage door opener has completed 5 cycles upon power up.

## LIGHTS

The garage door opener light bulbs will turn on when the opener is initially plugged in; power is restored after interruption, or when the garage door opener is activated. The lights will turn off automatically after 4-1/2 minutes. An incandescent A19 light bulb (100 watt maximum) or for maximum energy efficiency a 26W (100W equivalent) compact fluorescent light (CFL) bulb may be used.

## Light Feature

The garage door opener is equipped with an added feature; the lights will turn on when someone enters through the open garage door and the safety reversing sensor infrared beam is broken. For added control over the light bulbs on your garage door opener.

## USING YOUR GARAGE DOOR OPENER

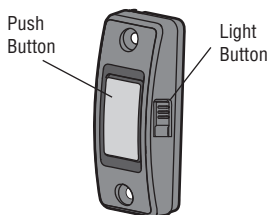
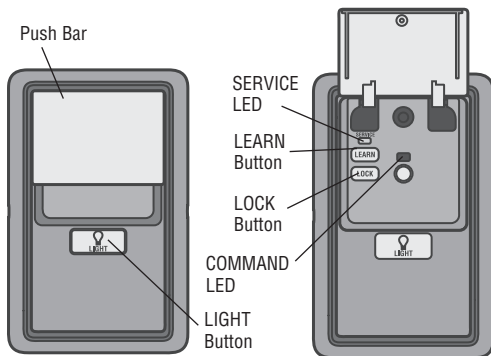
The garage door opener can be activated through a wall-mounted door control, remote control, or wireless keyless entry. When the door is closed and the garage door opener is activated the door will open. If the door senses an obstruction or is interrupted while opening the door will stop. When the door is in any position other than closed and the garage door opener is activated the door will close. If the garage door opener senses an obstruction while closing, the door will reverse. If the obstruction interrupts the sensor beam the garage door opener lights will blink 10 times. However, you can close the door if you hold the button on the door control or keyless entry until the door is fully closed. The safety reversing sensors do not affect the opening cycle. The safety reversing sensor must be connected and aligned correctly before the garage door opener will move in the down direction.

# Operation

## Using the Door Control

### SYNCHRONIZE THE DOOR CONTROL

To synchronize the door control to the garage door opener, press the push bar or push button until the garage door opener activates (it may take up to 3 presses). Test the door control by pressing the push bar or push button, each press of the push bar or push button will activate the garage door opener.



### PUSH BAR OR PUSH BUTTON

Press the push bar or push button to open or close the door.

### LIGHT BUTTON

Press the LIGHT button to turn the garage door opener lights on or off. When the lights are turned on they will stay on until the LIGHT button is pressed again, or until the garage door opener is activated. Once the garage door opener is activated the lights will turn off after the specified period of time (the factory setting is 4-1/2 minutes). The LIGHT button will not control the lights when the door is in motion.

The following features are accessible by lifting the push bar (multi-function door control only):

### LEARN A DEVICE

Any compatible remote controls or wireless keyless entries can be programmed to the garage door opener by pressing the LEARN button on the Multi-Function Control Panel.

### LOCK

The LOCK feature is designed to prevent activation of the garage door opener from remote controls while still allowing activation from the door control and keyless entry. This feature is useful for added peace of mind when the home is empty (i.e. vacation).

### AUTOMATIC LIGHT

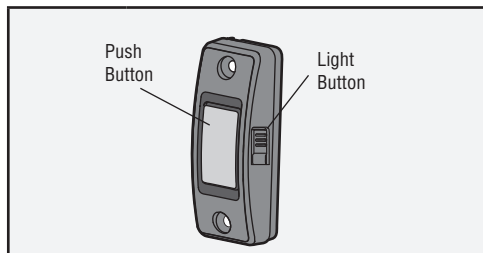
#### Light Feature

The lights will turn on when someone enters through the open garage door and the safety reversing sensor infrared beam is broken.

### MAINTENANCE ALERT SYSTEM (MAS)

This feature assists the homeowner in ensuring the garage door opener system stays in good working condition. When the garage door opener needs to be serviced (approximately 4500 garage door opener cycles) the command (yellow) and service (red) LEDs will begin to alternately flash back and forth. The factory setting for the MAS feature is off and can be activated at time of installation. Contact your installing dealer for service.

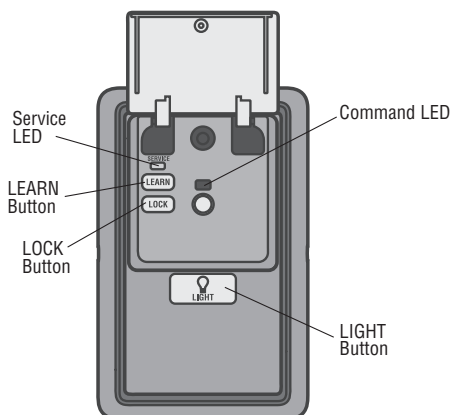
## Programming - Push Button Door Control



Feature	
<b>To Program a Remote Control or Keyless Entry</b>	<ol style="list-style-type: none"> <li>1. Press and hold the Light button and the Push button until the Push button LED begins to blink.</li> <li>2. <b>Remote Control:</b> Press the button on the remote control that you wish to operate your garage door. <b>Keyless Entry:</b> Enter a 4-digit personal identification number (PIN) of your choice on the keyless entry keypad. Then press the ENTER button. The garage door opener lights will flash (or two clicks will be heard) when the code has been programmed.</li> </ol>

# Operation

## Programming - Multi-Function Control Panel



Features															
<b>Lock</b>	<p><b>NOTE:</b> Your remote controls will NOT work when LOCK mode is active however your keyless entry will still allow access to your garage.</p> <p><b>Activate:</b> Press and hold the LOCK button for 2 seconds. The command LED will flash as long as the lock feature is activated and your handheld remote control will not operate your door at this time.</p> <p><b>Deactivate:</b> Press and hold the LOCK button again for 2 seconds. The command LED will stop flashing and normal operation will resume.</p>														
<b>Light</b>	<p><b>To change the amount of time the garage door opener lights will stay on (default time is 4-1/2 Minutes):</b></p> <p>Press and hold the LOCK button until the garage door opener lights flash. * The garage door opener lights will then indicate the current light duration by flashing up to 4 times (see table below).</p> <table border="1" style="width: 100%; border-collapse: collapse;"> <thead> <tr> <th style="text-align: left;">NUMBER OF TIMES GARAGE DOOR OPENER LIGHTS FLASH</th> <th style="text-align: center;">1</th> <th style="text-align: center;">2</th> <th style="text-align: center;">3</th> <th style="text-align: center;">4</th> </tr> </thead> <tbody> <tr> <th style="text-align: left;">TIME THE GARAGE DOOR OPENER LIGHT STAYS ON</th> <td style="text-align: center;">1½ Minutes</td> <td style="text-align: center;">2½ Minutes</td> <td style="text-align: center;">3½ Minutes</td> <td style="text-align: center;">4½ Minutes</td> </tr> </tbody> </table> <p>To change the light duration time repeat the steps above until the lights flashes indicate your desired time frame.</p> <p><b>NOTE:</b> Factory setting is on.</p> <p>This feature will turn on the garage door opener lights when the safety reversing sensors beam has been broken.</p> <p><b>Deactivate:</b> Start with the garage door opener lights off. Press and hold the LIGHT button to turn on the light, continue to hold until the light turns off. *</p> <p><b>Activate:</b> Start with the garage door opener lights on. Press and hold the LIGHT button to turn off the light, continue to hold until the light turns on. *</p> <p>* Approximately 10 seconds</p>					NUMBER OF TIMES GARAGE DOOR OPENER LIGHTS FLASH	1	2	3	4	TIME THE GARAGE DOOR OPENER LIGHT STAYS ON	1½ Minutes	2½ Minutes	3½ Minutes	4½ Minutes
NUMBER OF TIMES GARAGE DOOR OPENER LIGHTS FLASH	1	2	3	4											
TIME THE GARAGE DOOR OPENER LIGHT STAYS ON	1½ Minutes	2½ Minutes	3½ Minutes	4½ Minutes											
<b>To Program a Remote Control or Keyless Entry</b>	<ol style="list-style-type: none"> <li>1. Press the LEARN button on the door control <b>twice</b>. The Command LED will blink.</li> <li>2. <b>Remote Control:</b> Press and release the button on the remote control that you wish to operate your garage door.  <b>Keyless Entry:</b> Enter a 4-digit personal identification number (PIN) on the keypad. Then press the ENTER button.</li> </ol> <p>The garage door opener lights will flash (or two clicks will be heard) and the Command LED will stop blinking when the code has been programmed.</p>														
<b>Maintenance Alert System (MAS)</b>	<p><b>Activate/Deactivate</b></p> <p><b>NOTE:</b> Factory setting is on.</p> <p>Press and hold the LEARN button. Then press the LIGHT button. The service LED will flash the status; Activated is 2 flashes and deactivated is 3 flashes.</p>														

# Operation

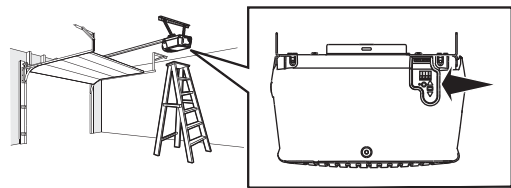
## Programming - Remote Controls

Your garage door opener has been programmed at the factory to operate with your remote control. Older LiftMaster remote controls are NOT compatible. Programming can be done through the door control or the Learn button on the garage door opener. To program additional remote controls refer to the instructions provided with the additional remote controls or visit LiftMaster.com. If your vehicle is equipped with HomeLink®, a Compatibility Bridge™ (not included) may be necessary for certain vehicles. Visit bridge.LiftMaster.com to find out if a Bridge is needed.

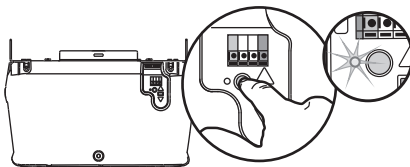
**NOTE:** The products illustrated in the instructions are for reference. Your product may look different.

### PROGRAM A REMOTE USING THE LEARN BUTTON ON THE GARAGE DOOR OPENER

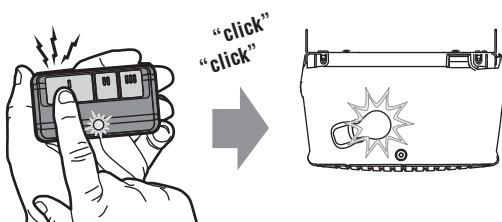
- 1** Locate the Learn button.



- 2** Press and immediately release the Learn button. The Learn LED will glow steady for 30 seconds. Within 30 seconds...

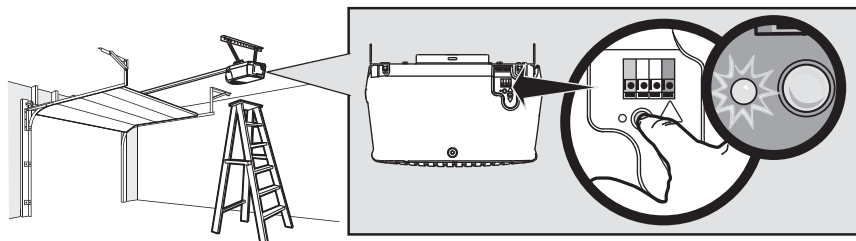


- 3** Press and hold the button on the remote control that you wish to use. Release the button when the garage door opener lights blink or two clicks are heard. If programming to other products, press the button a second time to activate products.



### ERASE ALL DEVICES (INCLUDING MYQ® ENABLED ACCESSORIES)

- 1** Press and hold the learn button on garage door opener until the learn LED goes out (approximately 6 seconds).
- 2** Immediately press and hold the learn button again until the learn LED goes out. All codes are now erased. Reprogram any accessory you wish to use.





# Operation

## To Open the Door Manually

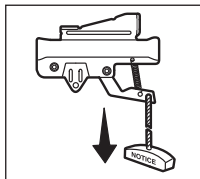
### **WARNING**

To prevent possible **SERIOUS INJURY** or **DEATH** from a falling garage door:

- If possible, use emergency release handle to disengage trolley **ONLY** when garage door is **CLOSED**. Weak or broken springs or unbalanced door could result in an open door falling rapidly and/or unexpectedly.
- **NEVER** use emergency release handle unless garage doorway is clear of persons and obstructions.
- **NEVER** use handle to pull door open or closed. If rope knot becomes untied, you could fall.

### **DISCONNECT THE TROLLEY**

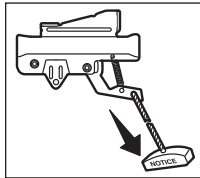
- 1** The door should be fully closed if possible.
- 2** Pull down on the emergency release handle.



### **RECONNECT THE TROLLEY**

The lockout feature prevents the trolley from reconnecting automatically.

- 1** Pull the emergency release handle down and back (toward the opener). The door can then be raised and lowered manually as often as necessary.
- 2** To disengage the lockout feature, pull the handle straight down.



The trolley will reconnect on the next **UP** or **DOWN** operation, either manually or by using the door control or remote control.

# Adjustment

## Introduction

### **WARNING**

Without a properly installed safety reversal system, persons (particularly small children) could be **SERIOUSLY INJURED** or **KILLED** by a closing garage door.

- Incorrect adjustment of garage door travel limits will interfere with proper operation of safety reversal system.
- After **ANY** adjustments are made, the safety reversal system **MUST** be tested. Door **MUST** reverse on contact with 1-1/2" (3.8 cm) high object (or 2x4 laid flat) on floor.

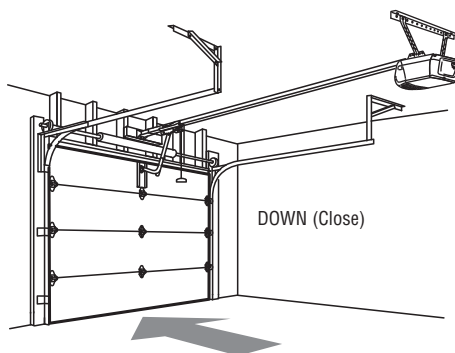
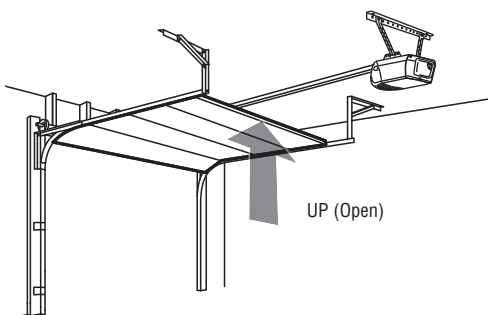
### **CAUTION**

To prevent damage to vehicles, be sure fully open door provides adequate clearance.

Your garage door opener is designed with electronic controls to make setup and adjustments easy. The adjustments allow you to program where the door will stop in the open (UP) and close (DOWN) position. The electronic controls sense the amount of force required to open and close the door.

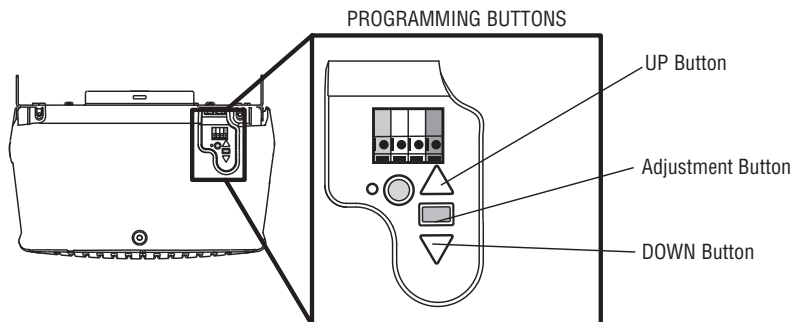
**NOTE:** *If anything interferes with the door's upward travel it will stop. If anything interferes with the door's downward travel, it will reverse.*

To watch a short instructional video on programming your new garage door opener use your smartphone to read the QR Code below:



## PROGRAMMING BUTTONS

The programming buttons are located on the left side panel of the garage door opener and are used to program the travel.



# Adjustment

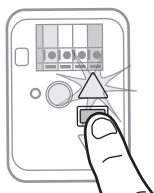
## 1 Program the Travel

### WARNING

Without a properly installed safety reversal system, persons (particularly small children) could be SERIOUSLY INJURED or KILLED by a closing garage door.

- Incorrect adjustment of garage door travel limits will interfere with proper operation of safety reversal system.
- After ANY adjustments are made, the safety reversal system MUST be tested. Door MUST reverse on contact with 1-1/2" (3.8 cm) high object (or 2x4 laid flat) on floor.

- 1.1** Press and hold the Adjustment Button until the UP Button begins to flash and/or a beep is heard.

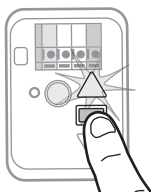


- 1.2** Press and hold the UP Button until the door is in the desired UP position.



**NOTE:** The UP and DOWN Buttons can be used to move the door up and down as needed.

- 1.3** Once the door is in the desired UP position press and release the Adjustment Button. The garage door opener lights will flash twice and the DOWN Button will begin to flash.

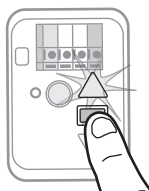


- 1.4** Press and hold the DOWN Button until the door is in the desired DOWN position.

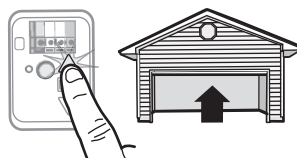


**NOTE:** The UP and DOWN Buttons can be used to move the door up and down as needed.

- 1.5** Once the door is in the desired DOWN position press and release the Adjustment Button. The garage door opener lights will flash twice and the UP Button will begin to flash.



- 1.6** Press and release the UP Button. When the door travels to the programmed UP position, the DOWN Button will begin to flash.



- 1.7** Press and release the DOWN Button. The door will travel to the programmed DOWN position. Programming is complete.



If the garage door opener lights are flashing 5 times during the steps for Program the Travel, the programming has timed out. If the garage door opener lights are flashing 10 times during the steps for Program the Travel, the safety reversing sensors are misaligned or obstructed. When the sensors are aligned and unobstructed, cycle the door through a complete up and down cycle using the remote control or the UP and DOWN buttons. Programming is complete. If you are unable to operate the door up and down, repeat the steps for Program the Travel.

# Adjustment

## 2 Test the Safety Reversal System

### WARNING

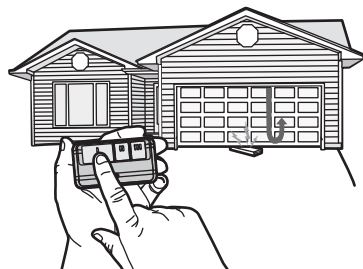
Without a properly installed safety reversal system, persons (particularly small children) could be SERIOUSLY INJURED or KILLED by a closing garage door.

- Safety reversal system MUST be tested every month.
- After ANY adjustments are made, the safety reversal system MUST be tested. Door MUST reverse on contact with 1-1/2' high (3.8 cm) object (or 2x4 laid flat) on the floor.

- 2.1** With the door fully open, place a 1-1/2 inch (3.8 cm) board (or a 2x4 laid flat) on the floor, centered under the garage door.



- 2.2** Press the remote control push button to close the door. The door MUST reverse when it makes contact with the board.



If the door stops and does not reverse on the obstruction, increase the down travel (see Adjustment Step 1).

Repeat the test. When the door reverses upon contact with the 1-1/2 inch board, remove the board and open/close the door 3 or 4 times to test the adjustment.

If the test continues to fail, call a trained door systems technician.

## 3 Test the Protector System®

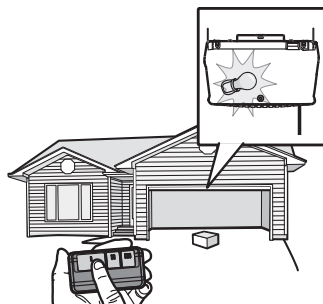
### WARNING

Without a properly installed safety reversing sensor, persons (particularly small children) could be SERIOUSLY INJURED or KILLED by a closing garage door.

- 3.1** Open the door. Place the garage door opener carton in the path of the door.



- 3.2** Press the remote control push button to close the door. The door will not move more than an inch (2.5 cm), and the garage door opener lights will flash 10 times.



The garage door opener will not close from a remote control if the LED in either safety reversing sensor is off (alerting you to the fact that the sensor is misaligned or obstructed).

If the garage door opener closes the door when the safety reversing sensor is obstructed (and the sensors are no more than 6 inches [15 cm] above the floor), call for a trained door systems technician.

# Maintenance

## EVERY MONTH

- Manually operate door. If it is unbalanced or binding, call a trained door systems technician.
- Check to be sure door opens and closes fully. Adjust if necessary, page 11.
- Test the safety reversal system. Adjust if necessary, page 12.

## EVERY YEAR

- Oil door rollers, bearings and hinges. The garage door opener does not require additional lubrication. Do not grease the door tracks.

## EVERY TWO TO THREE YEARS

- Use a rag to wipe away the existing grease from the garage door opener rail. Reapply a small layer of white lithium grease to the top and underside of the rail surface where the trolley slides.

## The Remote Control Battery

### **WARNING**

To prevent possible **SERIOUS INJURY** or **DEATH**:

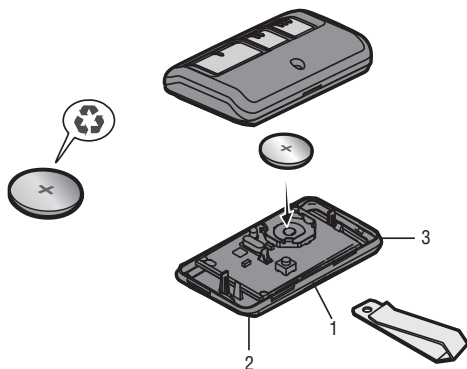
- NEVER allow small children near batteries.
- If battery is swallowed, immediately notify doctor.

To reduce risk of fire, explosion or chemical burn:

- Replace **ONLY** with 3V CR2032 coin batteries.
- **DO NOT** recharge, disassemble, heat above 212°F (100°C) or incinerate.

The Lithium batteries should produce power for up to 3 years. If the battery is low, the remote control's LED will not flash when the button is pressed. To replace battery, pry open the case first in the middle (1), then at each side (2 and 3) with the visor clip. Insert battery positive side up.

Replace the batteries with only 3V CR2032 coin cell batteries. Dispose of old batteries properly.



NOTICE: To comply with FCC and/or Industry Canada (IC) rules, adjustment or modifications of this transceiver are prohibited. THERE ARE NO USER SERVICEABLE PARTS. Any changes or modifications not expressly approved by the party responsible for compliance could void the user's authority to operate the equipment.

This device complies with Part 15 of the FCC rules and IC RSS-247. Operation is subject to the following two conditions: (1) this device may not cause harmful interference, and (2) this device must accept any interference received, including interference that may cause undesired operation. This Class B digital apparatus complies with Canadian ICES-003.

AVIS : Les règles de la FCC et/ou d'Industrie Canada (IC) interdisent tout ajustement ou toute modification de ce récepteur. IL N'EXISTE AUCUNE PIÈCE SUSCEPTIBLE D'ÊTRE ENTRETENUE PAR L'UTILISATEUR. Tout changement ou toute modification non expressément approuvé par la partie responsable de la conformité peut avoir pour résultat d'annuler l'autorité de l'utilisateur de faire fonctionner l'équipement.

Cet appareil est conforme aux dispositions de la partie 15 du règlement de la FCC et de la norme IC RSS-247. Son utilisation est assujettie aux deux conditions suivantes : (1) ce dispositif ne peut causer des interférences nuisibles, et (2) ce dispositif doit accepter toute interférence reçue, y compris une interférence pouvant causer un fonctionnement non souhaité.

Cet appareil numérique de la classe B est conforme à la norme NMB-003 du Canada.

# Troubleshooting

## Diagnostic Chart

Your garage door opener is programmed with self-diagnostic capabilities. The UP and DOWN arrows on the garage door opener will flash the diagnostic codes.

DIAGNOSTIC CODE		SYMPTOM	SOLUTION
Up arrow Flash(es)	Down arrow Flash(es)		
1	1	The garage door opener will not close and the light bulbs flash.	Safety sensors are not installed, connected, or wires may be cut. Inspect sensor wires for a disconnected or cut wire.
1	2	The garage door opener will not close and the light bulbs flash.	There is a short or reversed wire for the safety sensors. Inspect safety sensor wire at all staple and connection points, replace wire or correct as needed.
1	3	The door control will not function.	The wires for the door control are shorted or the door control is faulty. Inspect door control wires at all staple and connection points, replace wire or correct as needed.
1	4	The garage door opener will not close and the light bulbs flash.	Safety sensors are misaligned or were momentarily obstructed. Realign both sensors to ensure both LEDs are steady and not flickering. Make sure nothing is hanging or mounted on the door that would interrupt the sensor's path while closing.
		Door moves 6-8" (15-20 cm) stops or reverses.	Manually open and close the door. Check for binding or obstructions, such as a broken spring or door lock, correct as needed. Check wiring connections at travel module and at the logic board. Replace travel module if necessary.
1	5	No movement, only a single click.	Manually open and close the door. Check for binding or obstructions, such as a broken spring or door lock, correct as needed. Replace logic board if necessary.
		Opener hums for 1-2 seconds no movement.	Manually open and close the door. Check for binding or obstructions, such as a broken spring or door lock, correct as needed. Replace motor if necessary.
1	6	Door coasts after it has come to a complete stop.	Program travel to coasting position or have door balanced by a trained door systems technician.
2	1-5	No movement, or sound.	Replace logic board.
3	2	Unable to set the travel or retain position.	Check travel module for proper assembly, replace if necessary.

# Troubleshooting

## Diagnostic Chart

DIAGNOSTIC CODE		SYMPTOM	SOLUTION
Up arrow Flash(es)	Down arrow Flash(es)		
4	1-4	Door is moving stops or reverses.	Manually open and close the door. Check for binding or obstructions, such as a broken spring or door lock, correct as needed. If the door is binding or sticking contact a trained door systems technician. If door is not binding or sticking attempt to reprogram travel (refer to page 11).
4	5	Opener runs approximately 6-8" (15-20 cm), stops and reverses.	Communication error to travel module. Check travel module connections, replace travel module if necessary.
4	6	The garage door opener will not close and the light bulbs flash.	Safety sensors are misaligned or were momentarily obstructed. Realign both sensors to ensure both LEDs are steady and not flickering. Make sure nothing is hanging or mounted on the door that would interrupt the sensor's path while closing.

### My remote control will not activate the garage door:

- Verify the lock feature is not activated on the door control.
- Reprogram the remote control.
- If the remote control will still not activate the door check the diagnostic codes to ensure the garage door opener is working properly.

### My door will not close and the light bulbs blink on my motor unit:

The safety reversing sensor must be connected and aligned correctly before the garage door opener will move in the down direction.

- Verify the safety sensors are properly installed, aligned and free of any obstructions.

### My garage door opener light(s) will not turn off when the door is open:

The garage door opener is equipped with a feature that turns the light on when the safety reversing sensors have been obstructed. These features can be disabled using the door control, see page 7.

### My neighbor's remote control opens my garage door:

Erase the memory from your garage door opener and reprogram the remote control(s).

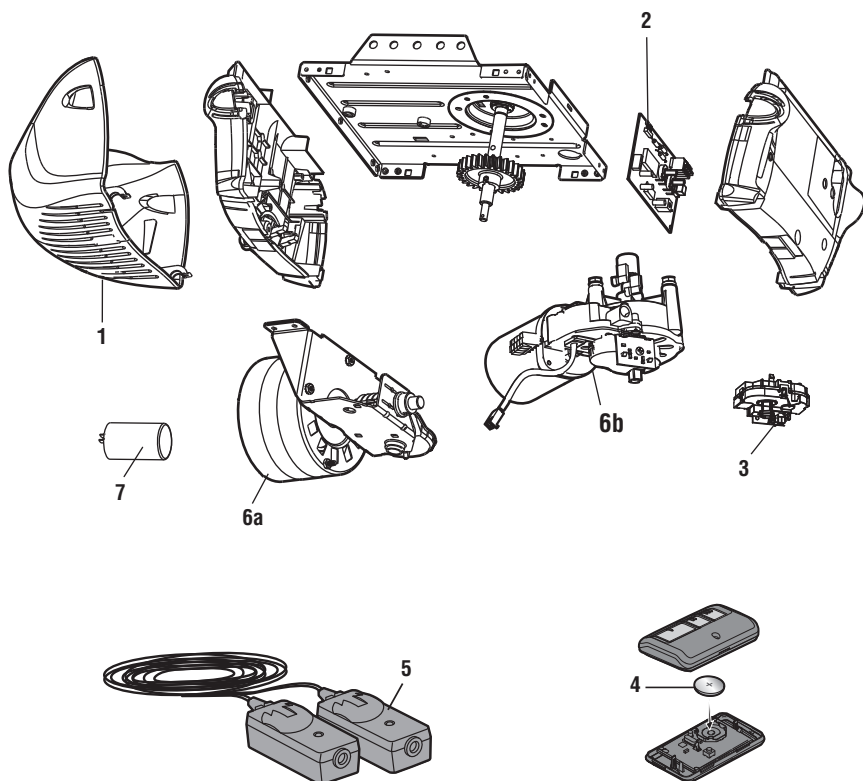
### My vehicle's Homelink® is not programming to my garage door opener:

Compatibility Bridge™ (not included) may be necessary for certain vehicles. Visit [bridge.LiftMaster.com](http://bridge.LiftMaster.com) to find out if a Bridge is needed.

# Repair Parts

**NOTE:** For additional parts not shown, visit [LiftMaster.com](http://LiftMaster.com) to download or print the full owner's manual. The products illustrated in the instructions are for reference. Your product may look different.

	DESCRIPTION	PART NUMBER
1	Light Lens Models 8065/8075 Models 8155/8165 Model 8160	108D36-2 108D79 041A7562
2	Logic Board Models 8155/8065/8075/8165 Model 8160	045ACT 045DCT
3	Travel Module Models 8155/8065/8075/8165 Model 8160	041D7742-7 041A7114-7
4	3V CR2032 Lithium Battery (Remote Control)	10A20
5	Safety Sensor Kit with receiving and sending sensors with 3 feet (.9 m) 2-conductor wire	41A5034
6a	Motor - Models 8155/8065/8075/8165	041D7740
6b	Motor with Travel Module - Model 8160	041D1739-1
7	Capacitor - Models 8155/8065/8075/8165	30B532





# Accessories

828LM

## LiftMaster® Internet Gateway:



Internet enabled accessory which connects to the computer and allows you to monitor and control garage door openers and lighting accessories enabled by MyQ® technology.

374UT

## Mini Universal Remote Control:



The Mini Universal Remote Control can be programmed to activate up to two products, such as a garage door opener, MyQ® light controls, gate operator, or commercial door operator.

829LM

## Garage and Gate Monitor:



Monitor open/closed status for up to 4 MyQ® compatible garage door openers or gate operators and close them from anywhere in the home.

877MAX

## MAX Wireless Keyless Entry:



For use outside of the home to enable access to the garage using a 4-digit PIN. Works with ALL LiftMaster® openers from 1993- present.

893MAX

## 3-Button MAX Remote Control:



Compatible with LiftMaster® garage door openers manufactured since 1993. Includes visor clip.

975LM

## Laser Garage Parking Assist:



Laser enables homeowners to precisely park vehicles in the garage.

823LM

## Remote Light Switch:



Automatically control your lights using your garage door opener, a Security+ 2.0® remote control or a LiftMaster® Internet Gateway. Simply replaces your current wired wall switch.

# Registration

Register your garage door opener to receive updates and offers from LiftMaster



1 Take a photo of the camera icon including the points (⊙).

2 Send it in by texting the photo to 71403 (US) or visit [www.liftmaster.photo](http://www.liftmaster.photo) (Global)

OR register online at [www.prodregister.com/liftmaster](http://www.prodregister.com/liftmaster)

# Warranty

## LIFTMASTER® LIMITED WARRANTY

LiftMaster (“Seller”) warrants to the first retail purchaser of this product, for the residence in which this product is originally installed, that it is free from defects in materials and/or workmanship for a specific period of time as defined below (the “Warranty Period”). The warranty period commences from the date of purchase.

WARRANTY PERIOD				
	Parts	Motor	Accessories	Belt
<b>8155</b>	1 year	4 years	1 year	10 years
<b>8065 8075 8160 8165</b>	1 year	4 years	1 year	-

The proper operation of this product is dependent on your compliance with the instructions regarding installation, operation, and maintenance and testing. Failure to comply strictly with those instructions will void this limited warranty in its entirety.

If, during the limited warranty period, this product appears to contain a defect covered by this limited warranty, call 1-800-528-9131, toll free, before dismantling this product. You will be advised of disassembly and shipping instructions when you call. Then send the product or component, pre-paid and insured, as directed to our service center for warranty repair. Please include a brief description of the problem and a dated proof-of-purchase receipt with any product returned for warranty repair. Products returned to Seller for warranty repair, which upon receipt by Seller are confirmed to be defective and covered by this limited warranty, will be repaired or replaced (at Seller’s sole option) at no cost to you and returned pre- paid. Defective parts will be repaired or replaced with new or factory-rebuilt parts at Seller’s sole option. [You are responsible for any costs incurred in removing and/or reinstalling the product or any component].

**ALL IMPLIED WARRANTIES FOR THE PRODUCT, INCLUDING BUT NOT LIMITED TO ANY IMPLIED WARRANTIES OF MERCHANTABILITY AND FITNESS FOR A PARTICULAR PURPOSE, ARE LIMITED IN DURATION TO THE APPLICABLE LIMITED WARRANTY PERIOD SET FORTH ABOVE FOR THE RELATED COMPONENT(S), AND NO IMPLIED WARRANTIES WILL EXIST OR APPLY AFTER SUCH PERIOD. Some States and Provinces do not allow limitations on how long an implied warranty lasts, so the above limitation may not apply to you. THIS LIMITED WARRANTY DOES NOT COVER NON-DEFECT DAMAGE, DAMAGE CAUSED BY IMPROPER INSTALLATION, OPERATION OR CARE (INCLUDING, BUT NOT LIMITED TO ABUSE, MISUSE, FAILURE TO PROVIDE REASONABLE AND NECESSARY MAINTENANCE, UNAUTHORIZED REPAIRS OR ANY ALTERATIONS TO THIS PRODUCT), LABOR CHARGES FOR REINSTALLING A REPAIRED OR REPLACED UNIT, REPLACEMENT OF CONSUMABLE ITEMS (E.G., BATTERIES IN REMOTE CONTROL TRANSMITTERS AND LIGHT BULBS), OR UNITS INSTALLED FOR NON-RESIDENTIAL USE. THIS LIMITED WARRANTY DOES NOT COVER ANY PROBLEMS WITH, OR RELATING TO, THE GARAGE DOOR OR GARAGE DOOR HARDWARE, INCLUDING BUT NOT LIMITED TO THE DOOR SPRINGS, DOOR ROLLERS, DOOR ALIGNMENT OR HINGES. THIS LIMITED WARRANTY ALSO DOES NOT COVER ANY PROBLEMS CAUSED BY INTERFERENCE. UNDER NO CIRCUMSTANCES SHALL SELLER BE LIABLE FOR CONSEQUENTIAL, INCIDENTAL OR SPECIAL DAMAGES ARISING IN CONNECTION WITH USE, OR INABILITY TO USE, THIS PRODUCT. IN NO EVENT SHALL SELLER’S LIABILITY FOR BREACH OF WARRANTY, BREACH OF CONTRACT, NEGLIGENCE OR STRICT LIABILITY EXCEED THE COST OF THE PRODUCT COVERED HEREBY. NO PERSON IS AUTHORIZED TO ASSUME FOR US ANY OTHER LIABILITY IN CONNECTION WITH THE SALE OF THIS PRODUCT.**

Some states and provinces do not allow the exclusion or limitation of consequential, incidental or special damages, so the above limitation or exclusion may not apply to you. This limited warranty gives you specific legal rights, and you may also have other rights, which vary from state to state and province to province.

**GARANTIE LIMITEE LIFTMASTER®**

LiftMaster (« le Vendeur ») garantit à l'acheteur au détail initial de ce produit pour la résidence dans laquelle ce produit est originellement installé, que ce dernier est exempt de tout défaut matériel ou de fabrication pour une période de temps précisée ci-dessous (la « Période de garantie »). La période de garantie commence à la date d'achat.

PERIODE DE GARANTIE			
	Pièces	Moteur	Accessoires
8155	1 an	4 ans	10 ans
8065 8075 8160 8165	1 an	4 ans	-

Le bon fonctionnement de ce produit dépend de l'utilisateur aux instructions relatives à l'installation, au fonctionnement, à l'entretien et aux tests. Tout défaut de se conformer strictement à ces instructions annulera la présente garantie limitée dans son intégralité.

Si, pendant la période de garantie limitée, ce produit semble présenter un défaut couvert par cette garantie limitée, prière d'appeler sans frais au 1-800-528-9131 avant de désassembler ce produit. Des instructions de démontage et d'expédition seront fournies lors de votre appel. Le produit ou la pièce doit ensuite être envoyé à notre centre de réparation sous garantie, conformément aux instructions reçues, frais d'affranchissement et d'assurance prépayés. Une brève description du problème et une preuve d'achat datée devront accompagner tout produit retourné pour une réparation sous garantie. Les produits retournés au vendeur pour une réparation couverte sous garantie qui, après réception par le vendeur, sont confirmés comme étant défectueux et couverts par la présente garantie limitée, seront réparés ou remplacés (à la discrétion du Vendeur) sans frais et retournés port payé. Les pièces défectueuses seront réparées ou remplacées par des pièces neuves ou réusinées, à la seule discrétion du Vendeur. [Les frais engagés pour le retrait et/ou la réinstallation du produit ou de tout composant incombent à l'acheteur].

**TOUTE GARANTIE IMPLICITE POUR CE PRODUIT, Y COMPRIS, MAIS DE FAÇON NON LIMITATIVE, TOUTE GARANTIE IMPLICITE DE QUALITE MARCHANDE ET D'ADEQUATION A UN USAGE PARTICULIER, SE LIMITE A LA DUREE DE LA PERIODE DE GARANTIE LIMITEE APPLICABLE STIPULEE CI-DESSUS POUR LES COMPOSANTS CONCERNES; AUCUNE GARANTIE IMPLICITE N'EXISTERA OU NE S'APPLIQUERA APRES UNE TELLE PERIODE.** Certains États et provinces ne permettent pas les limitations de la durée des garanties implicites, auquel cas la limitation précitée pourrait ne pas s'appliquer à l'acheteur. LA PRÉSENTE GARANTIE LIMITEE NE COUVRE PAS LES DOMMAGES QUI NE SONT PAS DUS À UN DÉFAUT, CEUX CAUSÉS PAR UNE MAUVAISE INSTALLATION, UNE OPÉRATION OU UN ENTRETIEN INADÉQUATS (INCLUANT, NOTAMMENT, LES AVARIES DUES À UN MAUVAIS TRAITEMENT, UN USAGE INAPPROPRIÉ, L'ABSENCE D'ENTRETIEN RAISONNABLE ET NÉCESSAIRE, LES RÉPARATIONS NON AUTORISÉES OU TOUTE MODIFICATION OU CE PRODUIT), LES FRAIS DE MAIN-D'ŒUVRE POUR LA RÉINSTALLATION D'UNE UNITÉ RÉPARÉE OU REMPLACÉE OU LE REMPLACEMENT DES CONSOMMABLES (P. EX. LES PILES D'ÉMETTEURS À TÉLÉCOMMANDE ET AMPOULES DE LAMPÉ) OU LES UNITÉS INSTALLÉES À USAGE NON RÉSIDENTIEL. LA PRÉSENTE GARANTIE LIMITEE NE COUVRE PAS LES PROBLÈMES RELATIFS AUX CONNEXES À LA PORTE OU À LA QUINCAILLERIE DE LA PORTE OU LE GARAGE, NOTAMMENT LES RESSORTS DE LA PORTE, LES GALETS DE PORTE, L'ALIGNEMENT DE LA PORTE OU LES CHARNIÈRES. LA PRÉSENTE GARANTIE LIMITEE NE COUVRE PAS NON PLUS LES PROBLÈMES CAUSÉS PAR LES INTERFÉRENCES, LE VENDEUR NE SERA EN AUCUN CAS TENU RESPONSABLE DES DOMMAGES-INTÉRÊTS PARTICULIERS OU INDIRECTS RÉSULTANT DE L'UTILISATION OU DE L'INAPPUISSEMENT À UTILISER CE PRODUIT CORRECTEMENT. EN AUCUN CAS, LA RESPONSABILITÉ DU VENDEUR POUR BRIS DE GARANTIE, RUPTURE DE CONTRAT, NÉGLIGENCE OU RESPONSABILITÉ STRICTE N'EXCÉDERA LE CÔTÉ DU PRODUIT COUVERT AUX PRÉSENTES. NUL N'EST AUTORISÉ À ASSUMER POUR NOUS D'AUTRES RESPONSABILITÉS RELATIVEMENT À LA VENTE DE CE PRODUIT.

Certains États et provinces n'acceptent pas l'exclusion ou les restrictions relatives aux dommages spéciaux ou indirects, les restrictions ou exclusions figurant dans la présente garantie pourraient ne pas s'appliquer à l'acheteur. Certains droits légaux particuliers sont conférés à l'acheteur en vertu de cette garantie et celui-ci pourrait avoir d'autres droits qui varient selon l'État ou la province dans lequel ou laquelle réside l'acheteur.

828LM



**Passerelle Internet de LiftMaster® :**

Accessoire qui se connecte à un ordinateur et vous permet de surveiller et commander les ouvre-porte de garage et les accessoires d'éclairage activés par la technologie MyQ®.

829LM



**Montieur de garage et de portail :**

Surveille l'état de marche-arrêt de 4 ouvre-porte de garage ou actionneurs de portail compatibles avec MyQ®, au maximum, et permet de les fermer depuis n'importe quel endroit dans la maison.

893MAX



**Télécommande à trois boutons MAX :**

Compatible avec les ouvre-porte de garage LiftMaster® fabriqués depuis 1993. Prend l'agrate de paresoleil.

823LM



**Télécommande d'éclairage :**

Commande automatiquement votre éclairage en vous servant de l'ouvre-porte de garage, d'une télécommande Security+ 2.0® ou d'une passerelle Internet LiftMaster®. Remplacez tout simplement votre interrupteur mural câblé actuel.

374UT



**Mini-Télécommande Universelle :**

La mini-télécommande universelle peut être programmée pour activer jusqu'à deux produits, comme un ouvre-porte de garage, des commandes d'éclairage MyQ®, un actionneur de barrière ou de porte commerciale.

877MAX



**Emetteur à code sans fil MAX :**

Pour une utilisation à l'extérieur de la maison vous permettant d'activer l'accès au garage à l'aide d'un NIP à quatre chiffres. Fonctionne avec TOUTS les ouvre-porte LiftMaster® fabriqués depuis 1993.

975LM

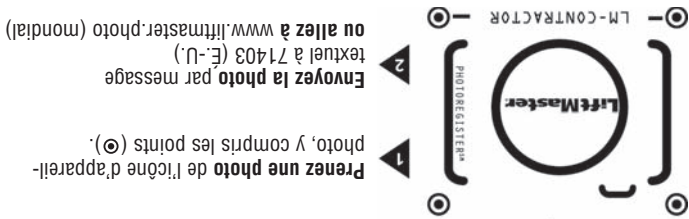


**Dispositif laser d'assistance au stationnement du garage :**

Le laser permet aux propriétaires de garer leur véhicule de manière précise dans leur garage.

## Enregistrement

Enregistrez votre ouvre-porte de garage pour recevoir des mises à jour et des offres de LiftMaster



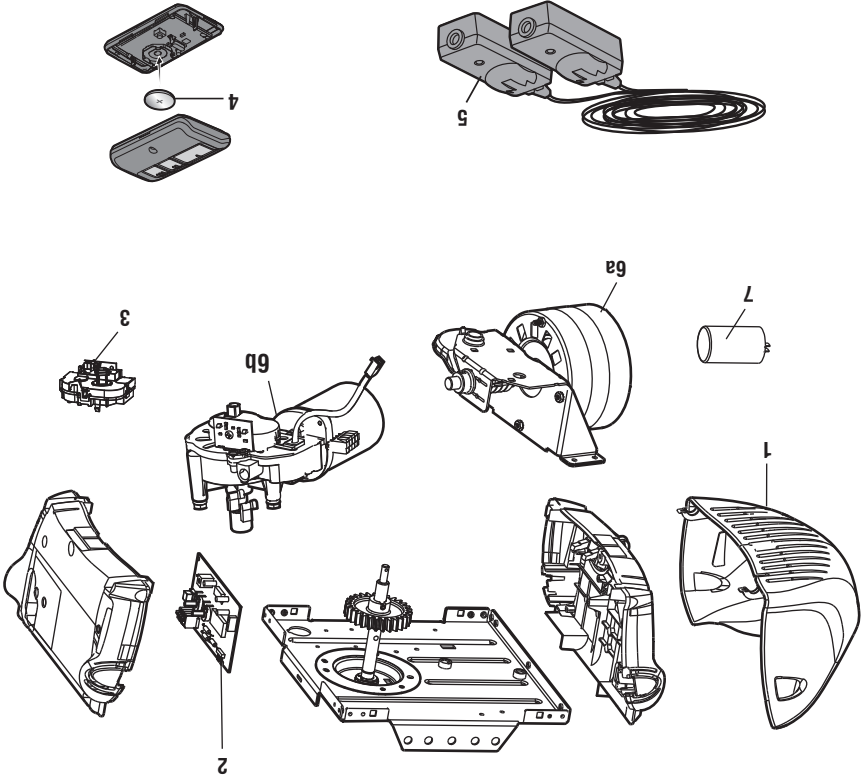
1 Prenez une photo de l'icône d'appareil-photo, y compris les points (●).

2 Envoyez la photo par message textuel à 71403 (E-U) ou allez à [www.liftmaster.photo](http://www.liftmaster.photo) (mondial)

# Pièces de Rechange

**REMARQUE :** Pour les pièces supplémentaires non affichées, visitez [LiftMaster.com](http://LiftMaster.com) pour télécharger ou imprimer du plein le manuel propriétaire. Les produits illustrés dans les instructions sont pour référence. Votre produit peut toutefois avoir l'air différent.

NUMERO DE LA PIÈCE	DESCRIPTION
108D36-2 108D79 041A7562	1 Lentille Modèles 8065/8075 Modèles 8155/8165 Modèle 8160
045ACT	2 Carte logique Modèles 8155/8065/8075/8165
045DCT	Modèle 8160
041D7742-7 041A7114-7	3 Module de voyage Modèles 8155/8065/8075/8165 Modèle 8160
10A20	4 Pile au Lithium 3V CR2032 (télécommande)
41A5034	5 Capteur d'inversion de sécurité avec cellules réceptrice et émettrice avec fil de 0,9 m (3 pi) à 2 conducteurs
041D7740	6a Moteur - Modèles 8155/8065/8075/8165
041D1739-1	6b Moteur et module de déplacement - Modèle 8160
30B532	7 Condensateur - Modèles 8155/8065/8075/8165



CODE D'ANOMALIE	SYMPTÔME	RÉSOLUTION
4	La flèche vers le haut cliknote	Le mouvement de la flèche vers le bas cliknote
1-4	Le mouvement de la porte s'interrompt ou/et repart en direction inverse.	Ouvrir et fermer manuellement la porte. Vérifier si un objet est collé ou obstrue la porte, comme un ressort ou une serrure brisée(e); corriger au besoin. Si la porte force ou colle, appeler un technicien formé en systèmes de porte. Si la porte ne force pas ou ne colle pas, essayer de reprogrammer la course (consulter la page 11).
5	La porte est en mouvement sur une distance de 15 à 20 cm (6 à 8 po), puis s'arrête ou inverse sa course.	Erreur de communication avec le module de commande de la course. Vérifier les connexions du module de course; remplacer le module au besoin.
6	L'ouvre-porte de garage ne ferme pas la porte et l'éclairage cliknote.	Les détecteurs inverseurs de sécurité sont désalignés ou momentanément obstrués. Réaligner les deux détecteurs pour s'assurer que les deux DFL s'allument de manière continue et ne cliknotent pas. S'assurer que rien ne pend ou n'est monté sur la porte, ce qui pourrait perturber le champ des détecteurs pendant la fermeture.

### Ma télécommande n'active pas la porte de garage :

- Vérifier si la fonction de verrouillage n'est pas activée sur la commande de porte.
  - Reprogrammer la télécommande.
  - Si la télécommande n'active toujours pas la porte, vérifier les codes de diagnostic pour s'assurer que l'ouvre-porte de garage fonctionne correctement.
- Ma porte ne se ferme pas et les ampoules de l'éclairage du moteur cliknotent :**
- Le détecteur inverseur de sécurité doit être connecté et aligné correctement avant que l'ouvre-porte de garage n'entame le mouvement de fermeture.
- Vérifier que les détecteurs inverseurs de sécurité sont bien installés et libres de toute obstruction.

### La télécommande de mon voisin ouvre ma porte de garage :

Effacer la mémoire de votre ouvre-porte de garage et reprogrammer la ou les télécommandes.

**La télécommande Homelink® de mon véhicule n'arrive pas à programmer mon ouvre-porte de garage :**

Un pont Compatibility Bridge™ (non inclus) sera peut-être nécessaire pour certains véhicules. Aller à [bridge.LiftMaster.com](http://bridge.LiftMaster.com) pour savoir si un pont sera nécessaire.

## Fiche diagnostique

Des fonctions d'autodiagnostic ont été programmées dans votre ouvre-porte de garage. Les flèches vers le haut et le bas de l'ouvre-porte de garage font cliqueter les codes d'anomalie.

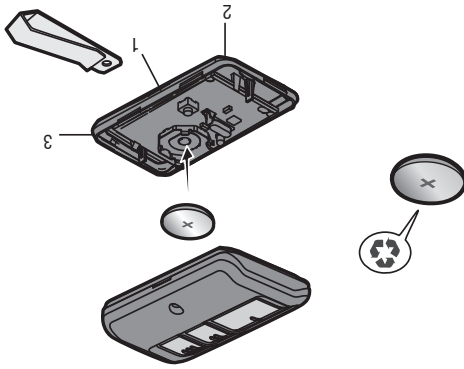
CODE D'ANOMALIE	SYMPTÔME	RÉSOLUTION
La flèche vers le haut cliquète	1	Les détecteurs inverseurs de sécurité ne sont pas installés, connectés, ou les fils sont coupés. Vérifier les fils du détecteur pour y déceler tout fil débranché ou coupé.
La flèche vers le bas cliquète	1	L'ouvre-porte de garage ne ferme pas la porte et l'éclairage cliquète.
	2	L'ouvre-porte de garage ne ferme pas la porte et l'éclairage cliquète. Les détecteurs inverseurs de sécurité sont court-circuités ou un fil est inversé. Inspecter le câblage des détecteurs inverseurs de sécurité et tous les points d'agrafe et de connexion; remplacer ou corriger les fils au besoin.
	3	La commande de porte ne fonctionne pas. Les fils de la commande de porte sont court-circuités ou la commande de porte est défectueuse. Vérifier les fils de la commande de porte à agrafe et points de connexion dans le fil, remplacer le fil si nécessaire.
	1	L'ouvre-porte de garage ne ferme pas la porte et l'éclairage cliquète. Les détecteurs inverseurs de sécurité sont désalignés ou momentanément obstrués. Réaligner les deux détecteurs pour s'assurer que les deux DEL s'allument de manière continue et ne cliquent pas. S'assurer que rien ne pend ou n'est monté sur la porte, ce qui pourrait perturber le champ des détecteurs pendant la fermeture.
	4	L'ouvre-porte de garage ne ferme pas la porte et l'éclairage cliquète. La porte est en mouvement sur une distance de 15 à 20 cm (6 à 8 po), puis s'arrête ou inverse sa course. Ouvrir et fermer manuellement la porte. Vérifier si un objet est collé ou obstrue la porte, comme un ressort ou une serrure brisée(e); corriger au besoin. Vérifier les connexions de câble au module de course et à la plaque logique. Remplacer le module au besoin.
	1	Aucun mouvement, même pas un dé clic. Ouvrir et fermer manuellement la porte. Vérifier si un objet est collé ou obstrue la porte, comme un ressort ou une serrure brisée(e); corriger au besoin. Remplacer la plaque logique au besoin.
	5	L'ouvre-porte émet un faible murmure pendant une à deux secondes, mais la porte ne bouge pas. Ouvrir et fermer manuellement la porte. Vérifier si un objet est collé ou obstrue la porte, comme un ressort ou une serrure brisée(e); corriger au besoin. Remplacer le moteur au besoin.
	1	La porte glisse après qu'elle se soit complètement arrêtée. Programmer la course jusqu'à la position de glissement ou faire équilibrer la porte par un technicien formé en son.
	6	Aucun mouvement ni impossible de régler la course ou la position de retenue. Remplacer la plaque logique.
	2	3
	1-5	Vérifier le module de course, le remplacer au besoin.

## CHAQUE MOIS

- Faire fonctionner la porte à la main. Si elle est déséquilibrée ou si elle force, appeler un technicien formé en systèmes de porte.
- S'assurer que la porte s'ouvre et se ferme complètement. Ajuster, au besoin, voir page 11.
- Contrôle du système d'inversion de sécurité. Ajuster, au besoin, voir page 12.
- Huiler les gats, les roulements et les charnières de la porte. Il n'est pas nécessaire de lubrifier davantage l'ouvre-porte de garage. Ne pas graisser les guides de la porte.
- Utiliser un chiffon pour éliminer la graisse sur le rail de l'ouvre-porte de garage. Appliquer de nouveau une fine couche de graisse blanche au lithium sur la surface du rail, là où le chariot glisse.

## TOUS LES DEUX OU TROIS ANS

La pile au Lithium devrait durer pendant une période allant jusqu'à 3 ans. Si la batterie est basse, la DEL à télécommande ne s'allume pas quand le bouton est appuyé sur. Pour remplacer la pile, soulever le boîtier au milieu (1), puis de chaque (2 et 3) côté de l'agraphe de pare-soleil. Insérer la pile avec le côté positif vers le haut. Remplacer les piles uniquement par 3V CR2032 piles bouton. Se débarrasser de la pile usée de manière appropriée.



- NE PAS recharger, démonter, chauffer à plus de 100 °C (212 °F) ou incinérer les piles.
- Remplacer UNIQUEMENT par 3V CR2032 piles bouton.
- Communiquez immédiatement avec un médecin en cas d'ingestion d'une pile.
- Pour réduire les risques d'incendie, d'explosion ou de brûlure chimique :
- Ne laissez JAMAIS des enfants s'approcher de la pile.
- Éviter des BLESSURES GRAVES, VOIRE MORTELLES :

## AVERTISSEMENT

## La pile de la télécommande

AVIS : Les règles de la FCC et/ou d'Industrie Canada (IC) interdisent tout ajustement ou toute modification de ce récepteur. IL N'EXISTE AUCUNE PIÈCE SUSCEPTIBLE D'ÊTRE ENTRETENUE PAR L'UTILISATEUR. Tout changement ou toute modification non expressément approuvé par la partie responsable de la conformité peut avoir pour résultat d'annuler l'autorité de l'utilisateur de faire fonctionner l'équipement.

Cet appareil est conforme aux dispositions de la partie 15 du règlement de la FCC et de la norme IC RSS-210. Son utilisation est assujettie aux deux conditions suivantes : (1) ce dispositif ne peut causer des interférences nuisibles, et (2) ce dispositif doit accepter l'interférence reçue, y compris une interférence pouvant causer un fonctionnement non souhaité.

Cet appareil numérique de la classe B est conforme à la norme NMB-003 du Canada.



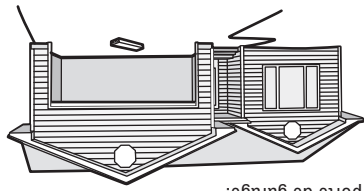
## 2 Essai du système d'inversion de sécurité

### **AVERTISSEMENT**

Sans un système d'inversion de sécurité bien installé, des personnes (plus particulièrement les petits enfants) pourraient être GRÈVEMENT BLESSÉES ou TUÉES par une porte de garage qui se referme.

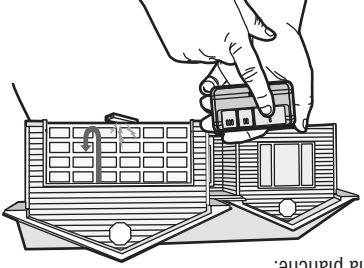
- On DOIT procéder à une vérification manuelle du système d'inversion de sécurité.
- Après avoir effectué chaque réglage que ce soit, on DOIT faire l'essai du système d'inversion de sécurité. La porte de garage DOIT remonter au contact d'un objet d'une hauteur de 1-1/2 po (3,8 cm) (ou un 2 x 4 posé à plat) sur le sol.

### 2.1



La porte étant entièrement ouverte, placer une planche de 3,8 cm (1-1/2 po) d'épaisseur (ou un 2 x 4 à plat) sur le plancher, centrée sous la porte de garage.

### 2.2



Appuyer sur le bouton-poussoir de la télécommande pour fermer la porte. La porte DOIT remonter quand elle entre en contact avec la planche.

Si la porte s'arrête et ne remonte pas en raison de l'obstruction, augmenter la course de fermeture (voir l'étape de réglage n° 1).

Répéter l'essai. Lorsque la porte remonte au contact de la planche de 3,8 cm (1-1/2 po), retirer la planche et ouvrir-fermer la porte 3 ou 4 fois afin de vérifier le réglage.

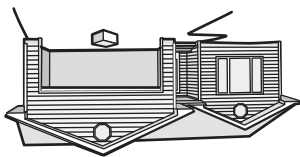
Si l'essai échoue encore, appeler un technicien formé en systèmes de porte.

## 3 Essai du Protector System®

### **AVERTISSEMENT**

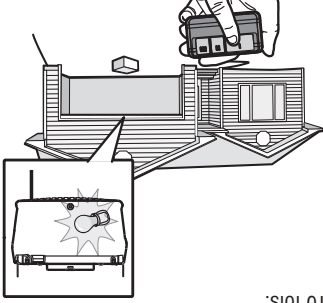
Sans un système d'inversion de sécurité bien installé, des personnes (plus particulièrement les petits enfants) pourraient être GRÈVEMENT BLESSÉES ou TUÉES par une porte de garage qui se referme.

### 3.1



Ouvrir la porte. Mettre la boîte en carton de l'ouvre-porte sur le chemin de la porte.

### 3.2



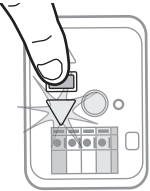
Appuyer sur le bouton-poussoir de la télécommande pour fermer la porte. La porte ne se déplacera pas plus de 2,5 cm (1 po) et l'éclairage de l'ouvre-porte de garage clignotera 10 fois.

L'ouvre-porte de garage ne se fermera pas à l'aide d'une télécommande si le témoin DEL d'un des deux capteurs d'inversion est éteint (ce qui avertit que le détecteur est mal aligné ou obstrué).

Si l'ouvre-porte de garage ferme la porte lorsque le capteur d'inversion de sécurité est obstrué (et que les capteurs ne sont pas à plus de 15 cm (6 po) du sol), appeler un technicien formé en systèmes de porte.

- Sans un système d'inversion de sécurité bien installé, des personnes (plus particulièrement les petits enfants) pourraient être GRILLEMENT BLESSÉES ou TUÉS par une porte de garage qui se referme :
- Un réglage erroné des courses de la porte de garage génère un fonctionnement approprié du système d'inversion de sécurité.
  - Après avoir effectué quelque réglage que ce soit, on DOIT faire l'essai du système d'inversion de sécurité. La porte de garage DOIT remonter au contact d'un objet d'une hauteur de 3,8 cm (1-1/2 po) (ou un 2 x 4 posé à plat) du sol.

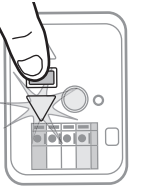
**1.1** Appuyer sur le bouton de réglage et le maintenir enfoncé jusqu'à ce que le bouton « UP » commence à clignoter ou qu'un bip se fait entendre.




**1.3** Une fois que la porte est dans la position d'ouverture « UP » désirée, appuyer sur le bouton de réglage et le relâcher. L'éclairage de l'ouvre-porte de garage clignotera deux fois et le bouton « DOWN » commencera à clignoter.



**1.5** Une fois que la porte est dans la position de fermeture « DOWN » désirée, appuyer sur le bouton de réglage et le relâcher. L'éclairage de l'ouvre-porte de garage clignotera deux fois et le bouton « UP » commencera à clignoter.



**1.7** Appuyer et relâcher le bouton « DOWN ». La porte se déplacera jusqu'à la position de fermeture programmée. La programmation est terminée.



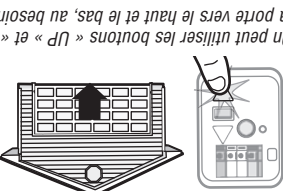
**1.2** Appuyer sur le bouton « UP » et le maintenir enfoncé jusqu'à ce que la porte soit à la position d'ouverture désirée.

*REMARQUE : On peut utiliser les boutons « UP » et « DOWN » pour déplacer la porte vers le haut et le bas, au besoin.*

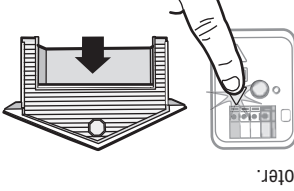


**1.4** Appuyer sur le bouton « DOWN » et le maintenir enfoncé jusqu'à ce que la porte soit à la position de fermeture désirée.

*REMARQUE : On peut utiliser les boutons « UP » et « DOWN » pour déplacer la porte vers le haut et le bas, au besoin.*



**1.6** Appuyer et relâcher le bouton « UP ». Lorsque la porte se déplace à la position « UP » programmée, le bouton « DOWN » commencera à clignoter.



Si l'éclairage de l'ouvre-porte de garage clignote 5 fois au cours des étapes de programmation de la course, le délai de programmation a expiré. Si l'éclairage de l'ouvre-porte de garage clignote 10 fois au cours des étapes de programmation de la course, les capteurs d'inversion de sécurité sont mal alignés ou obstrués. Lorsque les capteurs sont alignés et dégaçés, effectuer un cycle d'ouverture et de fermeture complet de la porte en utilisant la télécommande ou les boutons « UP » et « DOWN ». La programmation est terminée. Si on ne parvient pas à actionner la porte, répéter les étapes de la programmation de la course.

### ⚠️ AVERTISSEMENT

Sans un système d'inversion de sécurité bien installé, des personnes (plus particulièrement les petits enfants) pourraient être GRIÈVEMENT BLESSÉES ou TUÉES par une porte de garage qui se referme.

- Un réglage erroné des courses de la porte de garage gênera un fonctionnement approprié du système d'inversion de sécurité.
- Après avoir effectué quelque réglage que ce soit, on DOIT faire l'essai du système d'inversion de sécurité. La porte de garage DOIT remonter au contact d'un objet d'une hauteur de 3,8 cm (1 1/2 po) (ou un 2 x 4 posé à plat) du sol.

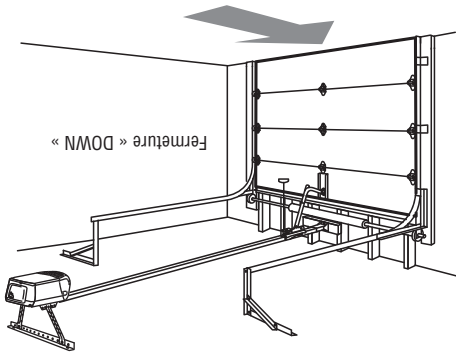
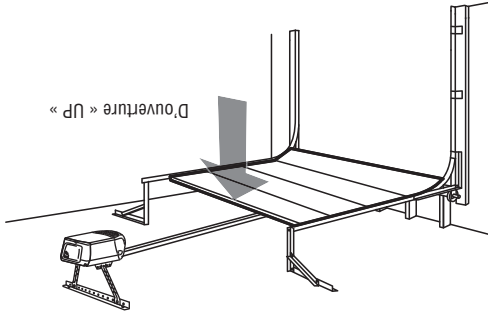
### ATTENTION

Pour prévenir les dommages aux véhicules, s'assurer que la porte entièrement ouverte offre un dégagement suffisant.

Votre ouvre-porte de garage est conçu avec des commandes électroniques pour rendre la configuration et les réglages faciles. Les réglages vous permettent de programmer la où la porte s'arrêtera en position d'ouverture « UP » et de fermeture « DOWN ». Les commandes électroniques détectent la puissance du courant nécessaire à l'ouverture et à la fermeture de la porte.

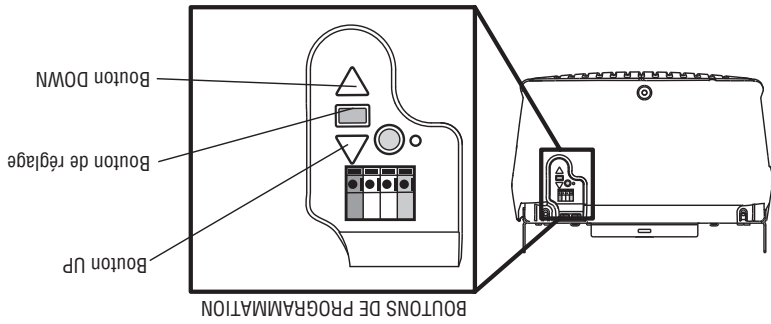
**REMARQUE :** Si quoi que ce soit gêne l'ouverture de la porte, elle s'arrêtera. Si quoi que ce soit gêne la fermeture de la porte, elle remontera.

Pour observer un vidéo d'instruction court sur programmer votre nouvel ouvre porte de garage employez votre smartphone pour lire le code de QR ci-dessous :



### BOUTONS DE PROGRAMMATION

Les boutons de programmation sont situés sur le panneau gauche de l'ouvreporte de garage et servent à programmer la course.



## Ouverture manuelle de la porte

### **AVERTISSEMENT**

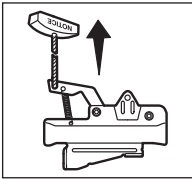
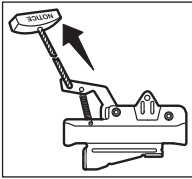
- Pour prévenir d'éventuelles BLESSURES GRAVES ou LA MORT par suite de la chute d'une porte de garage :
- Si possible, utilisez la poignée de déclenchement d'urgence pour dégrager le chariot UNIQUMENT lorsque la porte de garage est FERMÉE. Des ressorts faibles ou brisés ou une porte déséquilibrée peuvent provoquer la chute rapide et/ou imprévue d'une porte ouverte.
  - N'utilisez JAMAIS la poignée de déclenchement d'urgence à moins que rien ou personne n'obstrue la trajectoire de la porte.
  - Ne JAMAIS utiliser la poignée pour ouvrir ou fermer la porte. Il y a risque de chute si le noeud de la corde se défait.

### DÉGAGEMENT DU CHARIOT

- 1 Dans la mesure du possible, la porte doit être complètement fermée.
- 2 Tirer la poignée de déclenchement d'urgence.

### RACCORDEMENT DU CHARIOT

- La fonction de verrouillage empêche le chariot de se réenclencher automatiquement.
- 1 Tirez la poignée de déverrouillage d'urgence vers le bas et la laisser revenir alors possible d'ouvrir et de fermer la porte à la main autant de fois qu'on le désira.
  - 2 Pour désactiver la fonction de verrouillage, tirez la poignée vers le bas.



Le chariot se réenclenchera lors de la prochaine OUVERTURE ou FERMETURE de la porte, soit manuellement ou à l'aide de la commande de la porte ou de la télécommande.

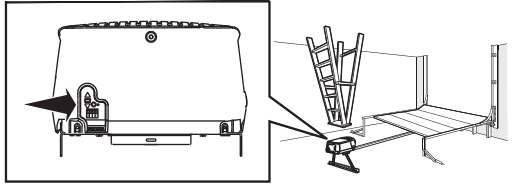
## Programmation - Télécommande

L'ouvre-porte de garage a été programmé en usine de manière à fonctionner avec la télécommande fournie. Les anciens télécommandes LiftMaster NE son pas compatibles. La programmation peut être réalisée par le biais de la commande de porte ou du bouton d'apprentissage de l'ouvre-porte de garage. Pour programmer des télécommandes supplémentaires, se reporter aux instructions fournies avec les télécommandes supplémentaires ou consulter le site LiftMaster.com. Si votre véhicule est équipé de HomeLink®, il sera peut-être nécessaire de se procurer un pont CompatiBility Bridge™ (non inclus) pour certains véhicules. Aller à [bridge.LiftMaster.com](http://bridge.LiftMaster.com) pour savoir si un pont sera nécessaire.

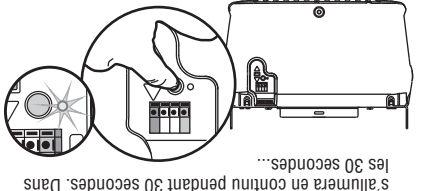
**REMARQUE :** Les produits illustrés dans les instructions sont pour référence. Votre produit peut toutefois avoir l'air différent.

## PROGRAMMATION D'UNE TÉLÉCOMMANDE À L'AIDE DU BOUTON LEARN DE L'OUVRE-PORTE DU GARAGE

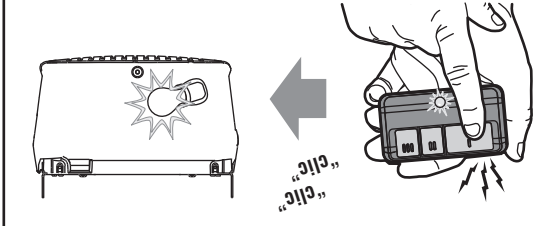
**1** Repérer le bouton Learn.



**2** Appuyer sur le bouton Learn et le relâcher immédiatement. Le témoin DEL du bouton Learn s'allumera en continu pendant 30 secondes. Dans les 30 secondes...



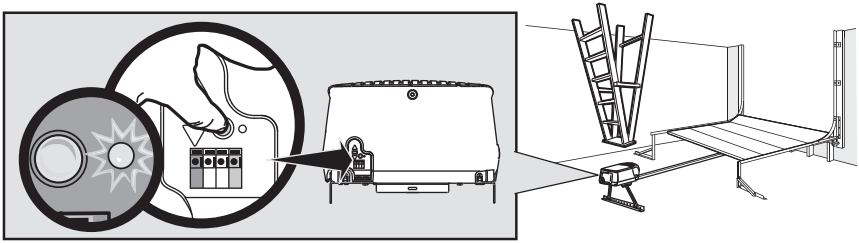
**3** Appuyez et relâchez le bouton de la télécommande. Relâchez le bouton lorsque l'ouvre-porte de garage clignote ou que deux clics se font entendre. En cas de programmation d'autres produits, appuyer sur le bouton une seconde fois pour activer les produits.



**EFFACER TOUTS LES DISPOSITIFS (Compris les accessoires permis de MyQ®)**

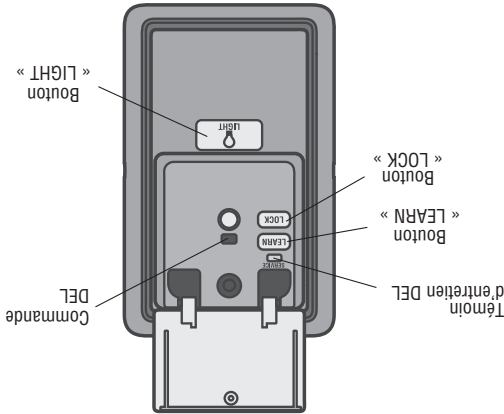
**1** Appuyer sur le bouton « LEARN » de l'ouvre-porte de garage et le maintenir enfoncé jusqu'à ce que le témoin DEL du bouton « LEARN » s'éteigne (environ 6 secondes).

**2** Presser immédiatement et continuer de pousser le bouton de programmation de nouveau jusqu'à ce que le voyant lumineux s'éteigne. Tous les codes sont maintenant effacés. Reprogrammer tout accessoire que vous souhaitez utiliser.



# Fonctionnement

## Programmer - Panneau de commande multifonction



<p><b>LOCK (Verrouillage)</b></p> <p><b>REMARQUE :</b> Vos télécommandes ne fonctionnent PAS lorsque le mode de verrouillage « LOCK » est actif; toutefois, la fonction d'entrée sans clé vous permet quand même d'accéder à votre garage.</p> <p><b>Pour activer :</b> Maintenez le bouton « LOCK » enfoncé pendant deux secondes. Le témoin DEL de la commande clignotera tant que la fonction de verrouillage est activée et la télécommande de poche ne fera pas fonctionner votre porte pour le moment.</p> <p><b>Pour désactiver :</b> Maintenez le bouton « LOCK » enfoncé pendant deux secondes. Le témoin DEL de la commande s'arrête de clignoter et le fonctionnement normal reprend.</p>				
<p><b>LIGHT (Éclairage)</b></p> <p><b>Pour modifier la durée d'allumage de l'éclairage de l'ouvre-porte de garage (la durée par défaut est de 4 1/2 minutes) :</b> Appuyez sur le bouton « LOCK » (verrouillage) et le maintenir enfoncé jusqu'à ce que l'éclairage de l'ouvre-porte de garage clignote. * Les lampes électriques de l'ouvre-porte de garage clignoteront alors la durée de l'éclairage en clignotant jusqu'à 4 fois (reportez-vous à la table ci-dessous).</p>				
<p><b>NOMBRE DE CLIGNOTEMENTS DE L'ÉCLAIRAGE DE L'OUVRE-PORTE DE GARAGE</b></p>		<p><b>DURÉE D'ALLUMAGE DE L'ÉCLAIRAGE DE L'OUVRE-PORTE DE GARAGE</b></p>		
1	2	3	4	4
1 ½	2 ½	3 ½	4 ½	4 ½
<p>Minutes</p>				
<p>Minutes</p>				
<p>Minutes</p>				
<p>Minutes</p>				

Pour changer l'heure la durée de l'éclairage, répéter les étapes ci-dessus jusqu'à ce que les lumières clignotent, ce qui indique le délai de votre choix.

**REMARQUE :** Le réglage d'usine est active.

Cette fonction allume les lampes de l'ouvre-porte de garage quand le faisceau entre les inverseurs de sécurité est interrompu.

**Désactiver :** Commencez en maintenant l'éclairage de l'ouvre-porte de garage éteint. Appuyez et gardez le bouton « LIGHT » (éclairage) enfoncé pour allumer, continuez à le maintenir enfoncé jusqu'à ce que la lumière s'éteigne. \*

**Activer :** Commencez en maintenant l'éclairage de l'ouvre-porte de garage allumé. Appuyez et gardez le bouton « LIGHT » (éclairage) enfoncé pour éteindre la lumière, continuez à le maintenir enfoncé jusqu'à ce qu'elle s'allume. \*

\* Environ 10 secondes

**Pour programmer à l'ouvre-porte sans fil et sans clé**

1. Enfoncer et relâcher **deux fois** le bouton d'apprentissage sur la commande de porte. La DEL de la commande se met à clignoter.

2. **Télécommande :** Appuyez sur le bouton de la télécommande qui fera fonctionner votre porte de garage. **Emetteur mural à code :** Saisir un numéro d'identification personnelle (NIP) à quatre chiffres sur le pavé numérique. Ensuite, appuyez sur le bouton « ENTER »

L'éclairage de l'ouvre-porte de garage clignote (ou deux dé clics se font entendre) et la DEL de commande cesse de clignoter une fois que le code a été programmé.

**Système d'alarme d'entretien (MAS)**

**Activer-désactiver**

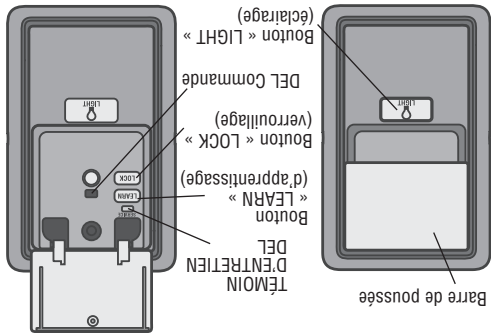
**REMARQUE :** Le réglage d'usine est désactive.

Appuyez sur le bouton « LEARN » (apprentissage) et le maintenir enfoncé. Appuyez ensuite sur le bouton « LIGHT » (éclairage). Le témoin DEL de l'entretien fera clignoter l'état; 2 éclairés pour l'état actif et 3 éclairés pour l'état inactif.

## Utilisation de la commande de porte

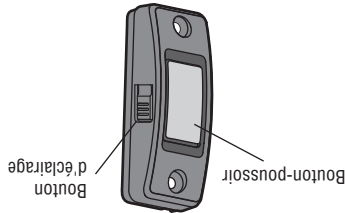
### SYNCHRONISATION DE LA COMMANDE DE PORTE

Pour synchroniser la commande de porte et l'ouvre-porte de garage, appuyez sur la barre-poussoir ou bouton-poussoir jusqu'à ce que l'ouvre-porte de garage s'active (cela peut prendre jusqu'à 3 pressions). Vérifiez la commande de la porte en appuyant sur la barre-poussoir ou bouton-poussoir, chaque pression sur la barre-poussoir ou bouton-poussoir activera l'ouvre-porte de garage.



### BARRE DE POUSSÉE OU BOUTON-POUSSOIR

Appuyez sur la touche-poussoir ou bouton-poussoir pour ouvrir ou fermer la porte.



### BOUTON LIGHT (ÉCLAIRAGE)

Appuyez sur le bouton d'éclairage pour allumer ou éteindre l'éclairage de l'ouvre-porte de garage. Lorsque les feux sont allumés, ils resteront ainsi jusqu'à ce que le bouton d'éclairage soit enfoncé à nouveau ou que l'ouvre-porte de garage soit activé. Une fois que l'ouvre-porte de garage est activé, l'éclairage s'éteint après la période de temps spécifiée (le réglage d'usine est de 4-1/2 minutes). Le bouton LIGHT (d'éclairage) ne contrôle pas l'éclairage lorsque la porte est en mouvement.

**Les fonctions suivantes sont accessibles sur en soulevant la barre-poussoir (Panneau mural d'ouvre-porte de garage à multiple fonctions uniquement) :**

**APPRENTISSAGE D'UN DISPOSITIF**

On peut programmer toutes les télécommandes compatibles ou les commandes de télédéverrouillage pour l'ouvre-porte de garage en accédant au menu et de navigation en appuyant sur la touche LEARN (apprentissage) sur le panneau de commande multifonction.

### VERROUILLAGE

La fonction de LOCK (verrouillage) est conçue pour empêcher l'activation de l'ouvre-porte de garage à partir des télécommandes tout en permettant l'activation à partir de la commande de porte et de télédéverrouillage. Cette fonction est utile pour avoir l'esprit en paix lorsque la maison est vide (p. ex., pendant les vacances).

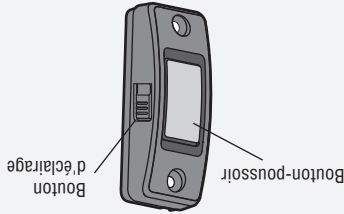
### ÉCLAIRAGE AUTOMATIQUE

**Fonction d'éclairage**  
L'éclairage s'allume quand quelqu'un entre par la porte de garage ouverte et que le faisceau infrarouge du capteur d'inversion de sécurité est détecté.

### SYSTÈME D'ALERTE D'ENTRETIEN (MAS)

Cette fonction permet au propriétaire de s'assurer que l'ouvre-porte de garage restera en bon état de fonctionnement. Lorsque l'ouvre-porte de garage doit faire l'objet d'un entretien (après environ 4500 cycles d'ouverture-fermeture), les DEL de commande (jaune) et d'entretien (rouge) commenceront à clignoter en alternance. La fonction d'alerte d'entretien est réglée en usine à la position de désactivation, elle peut être activée au moment de l'installation. Contactez le concessionnaire chargé de l'installation.

## Programmer - Commande de porte à boutons-poussoirs



### Fonctions

**Pour programmer à télécommande** et le bouton-poussoir et gardez-les enfoncés jusqu'à ce que le témoin DEL du bouton-poussoir commence à clignoter.

**2. Télécommande:** Appuyez sur le bouton de la télécommande qui fera fonctionner votre porte de garage. **Émetteur mural à code:** Saisissez un numéro d'identification personnelle (NIP) à quatre chiffres de votre choix sur le pavé numérique. Appuyez ensuite sur le bouton ENTER (entrée). L'éclairage de l'ouvre-porte de garage se mettra à clignoter (ou deux clics se feront entendre) lorsque le code a été programmé.

Votre porte de garage est dotée de fonctions qui vous offrent un meilleur contrôle du fonctionnement de votre porte de garage.

## ALERT2CLOSE (ALERTE DE FERMETURE)

La fonction d'alerte de fermeture fournit une alerte visuelle et audible vous avertissant de la fermeture d'une porte non surveillée.

## MINUTERIE DE FERMETURE (TTC)

La minuterie de fermeture ferme automatiquement la porte après une période déterminée qu'on peut régler en utilisant la commande de porte avec TTC (Modèle 881LMW ou 880LM). Avant et pendant la fermeture de la porte, l'ouvre-porte de garage émet des bips et l'éclairage se met à clignoter.

## MyQ

La technologie MyQ® utilise un signal de 900 MHz pour faciliter une transmission dans les deux sens entre l'ouvre-porte de garage et les accessoires homologués MyQ. Votre ouvre-porte de garage est compatible avec un maximum de 16 accessoires MyQ®.

## TÉLÉCOMMANDES ET COMMANDES DE PORTE

### SECURITY+ 2.0®

L'ouvre-porte de garage a été programmé en usine de manière à fonctionner avec la télécommande, qui change à chaque utilisation, accordant au hasard à plus de 100 milliards de nouveaux codes. Compatible avec les accessoires MyQ et Security+ 2.0®, voir page 17.

**REMARQUE** : Les anciens télécommandes, commandes de porte LiftMaster®, et les produits de tiers ne son pas compatibles.

Accessoires Security+ 2.0®	Jusqu'à 12
Télécommandes	Jusqu'à 1
Commande de la porte	Jusqu'à 2 panneaux Smart Control ou 4 commandes de portes Security+ 2.0®
Ouvre-porte sans fil et sans clé	Jusqu'à 1

## DE SÉCURITÉ) THE PROTECTOR SYSTEM® (CAPTEURS D'INVERSION

Lorsqu'il est bien connecté et bien aligné, le capteur d'inversion détectera un obstacle sur le passage de son faisceau infrarouge. Si un obstacle brise le faisceau infrarouge pendant que la porte se ferme, la porte s'arrêtera et remontera jusqu'à la position entièrement ouverte et les lumières de l'ouvre-porte clignoteront 10 fois. Si la porte est complètement ouverte et que les capteurs d'inversion ne sont pas installés ou sont mal alignés, la porte ne se ferme pas à partir d'une télécommande. Cependant, vous pouvez fermer la porte si vous maintenez le bouton de la commande de porte ou la commande de télédéverrouillage jusqu'à ce que la porte soit totalement fermée. Le capteur d'inversion n'a aucun effet sur le cycle d'ouverture. Le capteur d'inversion n'a aucun effet sur le cycle d'ouverture.

## CONSERVATION DE L'ÉNERGIE

Pour une efficacité énergétique, l'ouvre-porte de garage se met en mode de veille lorsque la porte est complètement fermée. Le mode de veille ferme l'ouvre-porte de garage jusqu'à ce qu'il soit activé. Le mode de veille est séquentiel à l'ampoule d'éclairage de l'ouvre-porte de garage; lorsque l'ampoule s'éteint, le témoin DEL du capteur s'éteint et chaque fois que l'éclairage de l'ouvre-porte de garage s'allume, le témoin DEL du capteur s'allume. L'ouvre-porte de garage ne se mettra en mode veille que lorsqu'il a achevé cinq cycles de mise sous tension.

## ÉCLAIRAGE

Les ampoules de l'ouvre-porte de garage s'allument lorsque ce dernier est initialement branché au courant; l'alimentation est rétablie, après un interruption ou lorsque l'ouvre-porte de garage est activé.

Les lumières s'éteindront automatiquement après 4-1/2 minutes. Une ampoule à incandescence A19 (100 watts, au maximum) ou, pour une efficacité énergétique maximale, une lampe fluorescente compacte de 26 W (équivalant à 100 W).

## Fonction D'Éclairage

Fonction d'éclairage s'allume quand quelqu'un entre par la porte de garage ouverte et que le faisceau infrarouge du capteur d'inversion de sécurité est détecté. Pour un contrôle supplémentaire des ampoules de votre ouvre-porte de garage.

## UTILISATION DE VOTRE OUVRE-PORTE DE GARAGE

L'ouvre-porte de garage peut être activé par le biais d'une commande de porte murale, une télécommande, ou une commande de télédéverrouillage. Lorsque la porte est fermée et que l'ouvre-porte de garage est activé, la porte s'ouvrira. Si la porte détecte un obstacle ou est interrompue lors de son ouverture, elle s'arrêtera. Si le porte n'est pas fermée et que l'ouvre-porte de garage est activé, elle fermera. Si l'ouvre-porte de garage détecte un obstacle pendant la fermeture, la porte inversera sa course. L'obstacle interromp le faisceau du détecteur, les lumières de l'ouvre-porte clignoteront pendant 10 secondes. Cependant, vous pouvez fermer la porte si vous maintenez le bouton de la commande de porte ou la commande de télédéverrouillage jusqu'à ce que la porte soit totalement fermée. Le capteur d'inversion n'a aucun effet sur le cycle d'ouverture. Le détecteur inverseur de sécurité doit être connecté et aligné correctement avant que l'ouvre-porte de garage n'entame le mouvement de fermeture.



# IMPORTANTES CONSIGNES DE SÉCURITÉ

## AVERTISSEMENT

### Pour réduire le risque de BLESSURES GRAVES, voire MORTELLES :

1. LIRE ET SUIVRE TOUTS LES AVERTISSEMENTS ET INSTRUCTIONS.
2. Gardez EN TOUT TEMPS la télécommande hors de portée des enfants. Ne JAMAIS laisser les enfants faire fonctionner les télécommandes ou les boutons/poussoirs de la commande de porte réglée et qu'il n'y a aucune obstacle à la course de la porte.
3. Actionner la porte de garage UNIQUEMENT lorsqu'on peut la voir clairement, qu'elle est bien réglée et qu'il n'y a aucune obstacle à la course de la porte.
4. Gardez TOUJOURS la porte de garage en vue **TOUTE** personne ou tout objet à l'écart de la porte jusqu'à sa fermeture complète. NE LAISSEZ PERSONNE TRAVERSER LA TRAJECTOIRE DE LA PORTE EN MOUVEMENT.
5. PERSONNE NE DOIT PASSER SOUS UNE PORTE ARRÊTÉE OU PARTIELLEMENT OUVERTE.
6. Si possible, utilisez la poignée de déclenchement d'urgence pour dégager le chariot UNIQUEMENT lorsque la porte de garage est FERMÉE. Faites preuve de prudence lorsque vous utilisez cette poignée lorsque la porte est ouverte. Des ressorts affaiblis ou brisés ou une porte déséquilibrée peuvent entraîner la chute rapide et/ou inattendue de la porte et accroître le risque de BLESSURES GRAVES, voire MORTELLES.
7. N'utilisez JAMAIS la poignée de déclenchement d'urgence à moins que rien ou personne n'obstrue la trajectoire de la porte.
8. N'utilisez JAMAIS la poignée pour ouvrir ou fermer la porte de garage. Il y a risque de chute si le noeud de la corde se défait.
9. Après avoir effectué quelque réglage que ce soit, on DOIT faire l'essai du système d'inversion de sécurité.
10. Le système d'inversion de sécurité DOIT être testé chaque mois. La porte de garage DOIT remonter au contact d'un objet d'une hauteur de 3,8 cm (1-1/2 po) (ou un 2 x 4 posé à plat) du sol. À défaut de régler l'ouvre-porte de garage correctement, le risque de BLESSURE GRAVE ou de MORT ACCIDENTELLE sera accru.
11. LA PORTE DE GARAGE DOIT TOUJOURS ÊTRE CORRECTEMENT ÉQUILIBRÉE. Une porte mal équilibrée peut ne PAS inverser sa course en cas de besoin et peut entraîner des BLESSURES GRAVES, voire MORTELLES.
12. TOUTES les réparations sur les câbles, les ressorts et la quincaillerie, et de TOUT ce qui se trouve sous une tension EXTRÊME, DOIVENT être confiées à des techniciens formés à cet effet.
13. TOUJOURS mettre l'ouvre-porte de garage hors tension AVANT d'effectuer quelque réparation que ce soit ou d'enlever des couvercles.
14. Ce système opérateur est équipé d'un dispositif de fonctionnement sans surveillance. La porte est susceptible de se mettre en mouvement inopinément. NE LAISSEZ PERSONNE TRAVERSER LA TRAJECTOIRE DE LA PORTE EN MOUVEMENT.
15. NE PAS installer sur une porte rigide dans le cas de dispositifs ou fonctions permettant la fermeture non surveillée. Les dispositifs et fonctions non surveillés doivent être utilisés UNIQUEMENT avec des portes articulées.
16. **CONSERVER CES INSTRUCTIONS.**

# IMPORTANTES INSTRUCTIONS CONCERNANT LA POSE

## AVERTISSEMENT

### Pour réduire le risque de BLESSURES GRAVES, voire MORTELLES :

1. LIRE ET SUIVRE TOUTS LES AVERTISSEMENTS ET INSTRUCTIONS.
2. Poser l'ouvre-porte de garage UNIQUEMENT sur une porte de garage bien équilibrée et lubrifiée. Une porte mal équilibrée peut ne PAS inverser sa course en cas de besoin et peut entraîner des BLESSURES GRAVES, voire MORTELLES.
3. TOUTES les réparations aux câbles, ensembles de ressort et autres ferrures de montage DOIVENT être confiées à un technicien formé en systèmes de porte AVANT de poser l'ouvre-porte.
4. Désactiver TOUTES les serrures et retirer TOUTES les cordes raccordées à la porte de garage AVANT de poser l'ouvre-porte afin d'éviter un emmêlement.
5. Poser l'ouvre-porte de garage à au moins 2,13 m (7 pi) au-dessus du sol.
6. Laisser le déverrouillage de secours à portée de main, mais à au moins 1,83 m (6 pi) du sol et éviter tout contact avec des véhicules afin d'éviter tout déclenchement accidentel.
7. Ne JAMAIS raccorder l'ouvre-porte de garage à une source de courant avant d'avoir reçu l'instruction de le faire.
8. Ne JAMAIS porter de montres, bagues ou vêtements amples durant la pose ou l'entretien de l'ouvre-porte. Ils pourraient être happés par la porte de garage ou les mécanismes de l'ouvre-porte.
9. Poser la commande de porte murale :
  - bien en vue de la porte de garage.
  - hors de la portée des enfants à une hauteur minimum de 5 pieds (1,5 m).
  - à l'écart de TOUTES les pièces mobiles de la porte.
10. Placer l'étiquette d'avertissement de prise au piège sur le mur à côté de la commande de la porte de garage.
11. Placer l'étiquette d'essai d'inversion de sécurité/ouverture manuelle bien en vue sur le côté intérieur de la porte de garage.
12. Au terme de la pose, faire l'essai du système d'inversion de sécurité. La porte DOIT remonter au contact d'un objet d'une hauteur de 1-1/2 po (3,8 cm) (ou un 2 x 4 posé à plat) sur le sol.
13. Pour éviter des BLESSURES GRAVES ou la MORT par électrocution, débranchez TOUTE alimentation électrique ainsi que les piles AVANT TOUTE intervention.
14. NE PAS installer sur une porte rigide dans le cas de dispositifs ou fonctions permettant la fermeture non surveillée. Les dispositifs et fonctions non surveillés doivent être utilisés UNIQUEMENT avec des portes articulées.
15. **CONSERVER CES INSTRUCTIONS.**

**REMARQUE :** Pour des instructions d'installation complètes, allez sur le site [LiftMaster.com](http://LiftMaster.com) pour imprimer en entier le Manuel d'Instructions.

## Revue des symboles de sécurité et des mots de signalament

Cet ouvre-porte de garage a été conçu et mis à l'essai dans le but d'offrir un service sûr à condition qu'il soit installé, utilisé, entretenu et mis à l'essai en stricte conformité avec les instructions et les avertissements contenus dans le présent manuel.

Lorsque vous verrez ces symboles de sécurité et ces mots de signalament sur les pages suivantes, ils vous aviseront de la possibilité de **l blessures graves ou de mort** si vous ne vous conformez pas aux avertissements qui les accompagnent. Le danger peut être de source mécanique ou provenir d'un choc électrique. Lisez attentivement les avertissements.

### **AVERTISSEMENT**

Mécanique

### **AVERTISSEMENT**

Électrique

Lorsque vous verrez ce mot de signalament sur les pages suivantes, il vous avisera de la possibilité de dommages à votre porte de garage ou ouvre-porte de garage, ou les deux, si vous ne vous conformez pas aux énoncés de mise en garde qui l'accompagnent. Lisez-les attentivement.

## ATTENTION

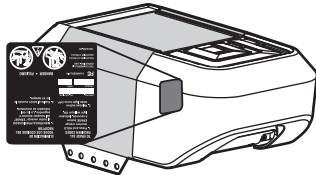
### Fonctionnement non surveillé

La fonction de temporisation de fermeture (TTC), l'application de commande MyQ® pour téléphone intelligent, le dispositif de surveillance de porte de garage et de barrière MyQ® sont des exemples de fermeture non surveillée; ces fonctions doivent être utilisées UNIQUEMENT avec des portes articulées. Tout dispositif ou toute fonction qui permet la fermeture de la porte sans visibilité directe de celle-ci constitue une fermeture non surveillée. La fonction de temporisation de fermeture (TTC), la commande MyQ® pour téléphone intelligent et tous les autres dispositifs MyQ® doivent être utilisés UNIQUEMENT avec des portes articulées.

## L'INFORMATION DE CONTACT

Laissez ce Guide de l'utilisateur au propriétaire.

3-4	Importantes Consignes de Sécurité
5	Fonctionnement
6	Utilisation de la commande de porte
6	Programmation - Commande de porte à boutons-poussoirs
7	Programmation - Panneau de commande multifonction
8	Programmation - Télécommande
8	Pour effacer tous le codes
9	Ouverture manuelle de la porte
10	Réglage
11	Programmation des courses
12	Essai du système d'inversion de sécurité
12	Essai du Protector System®
13	Entretien
14-15	Dépannage
16	Pièces de Rechange
17	Accessoires
17	Enregistrement
18	Garantie

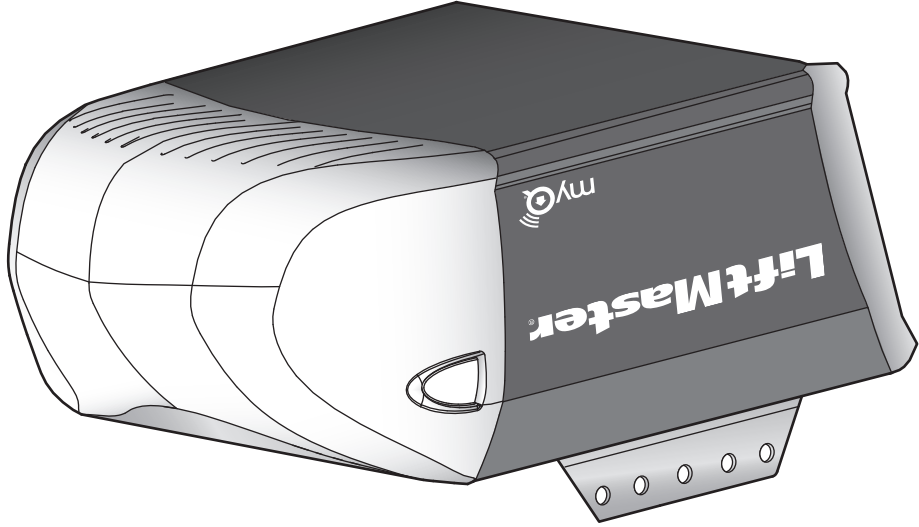


Veillez noter les renseignements suivants pour référence ultérieure :

Numéro de série :

Date d'achat :

 /  /



## Ouvre-porte de garage de série CONTRACTOR MODÈLES 8155 • 8160 • 8165 • 8065 • 8075

- Veuillez lire attentivement ce guide de même que la documentation de sécurité incluse!
- La porte NE SE FERME PAS si le Système Protector® n'est pas branché et réglé correctement.
- Des vérifications périodiques de l'ouvre-porte de garage sont requises pour garantir un fonctionnement sécuritaire du dispositif.
- Cet ouvre-porte de garage est compatible UNIQUEMENT avec les accessoires MyQ® et Security+ 2.0®.
- NE PAS installer sur une porte rigide dans le cas de dispositifs ou fonctions permettant la fermeture non surveillée. Les dispositifs et fonctions non surveillés doivent être utilisés UNIQUEMENT avec des portes articulées.
- Apposer les étiquettes d'avertissement incluses à l'endroit indiqué sur l'étiquette.

**Enregistrez votre ouvre-porte de garage pour recevoir des mises à jour et des offres de LiftMaster**

1 Prenez une photo de l'icône d'appareil-photo, y compris les points (●).

2 Envoyez la photo par message textuel à 71403 (E-U);  
ou allez à [www.liftmaster.photo](http://www.liftmaster.photo) (mondial)

