

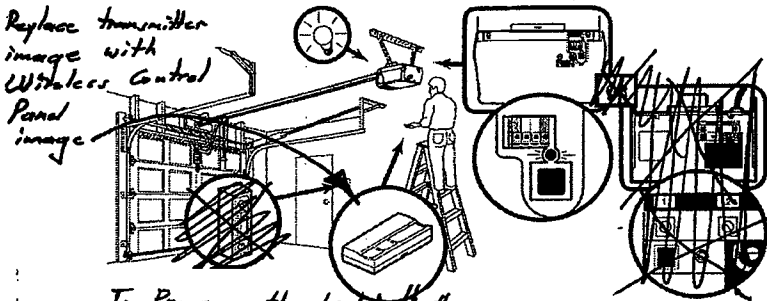


MODEL 41A6344

# 315 MHz Security+® 3-Function Remote Control Owner's Manual

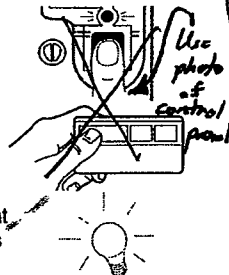
Only for use with 315MHz Security+® garage door openers and universal receivers that have a purple "learn" button.

## Instructions are Described and Illustrated Below



To Program the Large button or Auxiliary button to a garage door opener:

1. Press and release the "learn" button on the motor unit. The learn indicator light will glow steadily for 30 seconds.
2. Within 30 seconds, press and hold the **large** button on the **hand-held remote**. *Wireless Control Panel*
3. Release the button when the motor unit light blinks. It has learned the code. If light bulbs are not installed, two clicks will be heard.



## To Erase All Codes From Motor Unit Memory

To deactivate any unwanted remote, first erase all codes:

Press and hold the "learn" button on motor unit until the learn indicator light goes out (approximately 6 seconds). All previous codes are now erased. Reprogram each remote or keyless entry you wish to use.



## To Control the Opener Lights

**NOTE:** Not available with universal receiver. *Wireless Control Panel, the LIGHT button*

With 315MHz Security+® remote controls, a remote push button can be programmed to operate the opener lights without opening the door. *A wired Multifunction Control Panel is required to program the LIGHT button on the Wireless Control Panel.*

1. *With the door closed, press and hold the remote button that you want to control the light.* **LIGHT** *Wireless Control Panel.*
  2. Press and hold the Light button on the door control. *Multifunction Control Panel.*
  3. Press and hold the Lock button on the door control. *Multifunction Control Panel.*
  4. After the opener lights flash, release all buttons. *on the Wireless Control Panel.*
- Test by pressing the **LIGHT** push button. The opener lights should turn on or off but the door should not move.

To order replacement parts call...  
1-800-4-MY-HOME® (1-800-469-4663)

## WARNING

To prevent possible SERIOUS INJURY or DEATH from a moving gate or garage door:

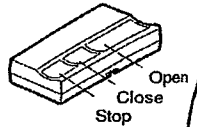
- ALWAYS keep remote controls out of reach of children. NEVER permit children to operate, or play with remote control transmitters.
- Activate gate or door ONLY when it can be seen clearly, is properly adjusted, and there are no obstructions to door travel.
- ALWAYS keep gate or garage door in sight until completely closed. NEVER permit anyone to cross path of moving gate or door.

## INSTALLATION:

**NOTE:** Not available with universal receiver.

Your 315MHz Security+® remote control can be programmed to operate one door using all 3 buttons: the large button will only open the door, the middle button will close the door, and the third button will stop the door's movement. You may set up this feature as follows:

1. With the door closed, press and hold the large remote push button.
2. Press and hold the Lock button on the door control.
3. Press and hold the door control push bar.



When the opener lights flash, release all buttons. Test by pressing the large (Open) button on the remote. The door should open. Press it again while the door is open and nothing should happen. Press the middle (Close) button while the door is moving and it should close. Press the third (Stop) button and the door should stop immediately.

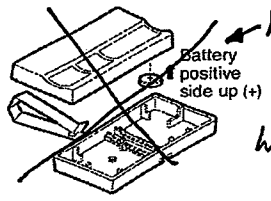
## The Remote Control Batteries

## WARNING

To prevent possible SERIOUS INJURY or DEATH:

- NEVER allow small children near batteries.
- If battery is swallowed, immediately notify doctor.

The lithium batteries should produce power for up to 5 years. To replace, pry open case with visor clip or screwdriver, as shown. Insert batteries positive side up (+). Dispose of old batteries properly.



**NOTICE:** To comply with FCC and/or Industry Canada (IC) rules, adjustment or modifications of this receiver and/or transmitter are prohibited, except for changing the code setting or replacing the battery. THERE ARE NO OTHER USER SERVICEABLE PARTS.

Tested to Comply with FCC Standards FOR HOME OR OFFICE USE. Operation is subject to the following two conditions: (1) this device may not cause harmful interference, and (2) this device must accept any interference received, including interference that may cause undesired operation.

## Replacement Parts

3V2032 Lithium battery: .....10A20