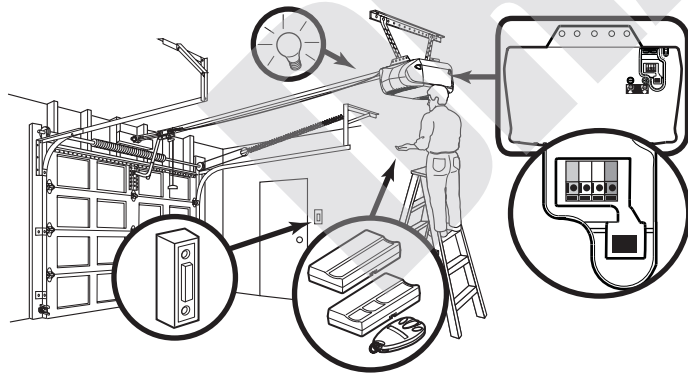
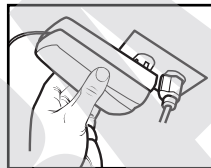


Receiver/Transmitter Indicator Light

The Frequency Translator is for applications experiencing high radio interference. The Frequency Translator receives a radio signal from a 315MHz remote and transmits a 390MHz signal so you can operate your garage door opener.

Installation and Programming

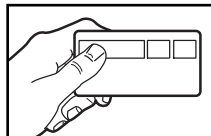
1. Remove the Frequency Translator from the carton and plug it into a 120Vac polarized outlet as close as possible to your garage door opener inside garage. Straighten the antenna.



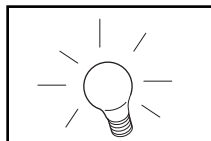
2. Press and release the “learn” button on the motor unit. The learn indicator light will glow steadily for 30 seconds.



3. Within 30 seconds, press and hold the button on the 315MHz hand-held remote that you wish to operate your garage door.



4. Release the button when the motor unit lights blink. It has learned the code. If light bulbs are not installed, two clicks will be heard.



WARNING

To prevent possible **SERIOUS INJURY** or **DEATH** from a moving gate or garage door:

- ALWAYS keep remote controls out of reach of children. NEVER permit children to operate, or play with remote control transmitters.
- Activate gate or door **ONLY** when it can be seen clearly, is properly adjusted, and there are no obstructions to door travel.
- ALWAYS keep gate or garage door in sight until completely closed. NEVER permit anyone to cross path of moving gate or door.

To Erase All Codes From Motor Unit Memory

To deactivate any unwanted remote, first erase all codes: Press and hold the “learn” button on motor unit until the learn indicator light goes out (approximately 6 seconds). All previous codes are now erased. Reprogram each remote or keyless entry you wish to use.

Troubleshooting

If the garage door opener does not open or close, confirm that the Receiver/Transmitter indicator light blinks 4 times when pressing the 315MHz remote button.

Ensure the unit is plugged into a 120VAC AC polarized outlet.

NOTICE: To comply with FCC and/or Industry Canada (IC) rules, adjustment or modifications of this receiver and/or transmitter are prohibited, except for changing the code setting or replacing the battery. THERE ARE NO OTHER USER SERVICEABLE PARTS.

Tested to Comply with FCC Standards FOR HOME OR OFFICE USE. Operation is subject to the following two conditions: (1) this device may not cause harmful interference, and (2) this device must accept any interference received, including interference that may cause undesired operation.

Accessories

315MHz Remote(s):

370LM: Security+® 3-Button Mini-Remote Control

371LM: Security+® 1-Button Remote Control

373LM: Security+® 3-Button Remote Control

373W: Security+® 3-Button Remote Control

374LM: Security+® 4-Button Remote Control

Radio Receiver(s):

335LM: Security+® 390MHz Universal Radio Control

535LM: Security+® 390MHz Universal Radio Control

635LM: Security+® 390MHz Universal Radio Control

Rating: 120Vac, 60Hz, 35mA

For service dial our toll free number: 1-800-528-2817