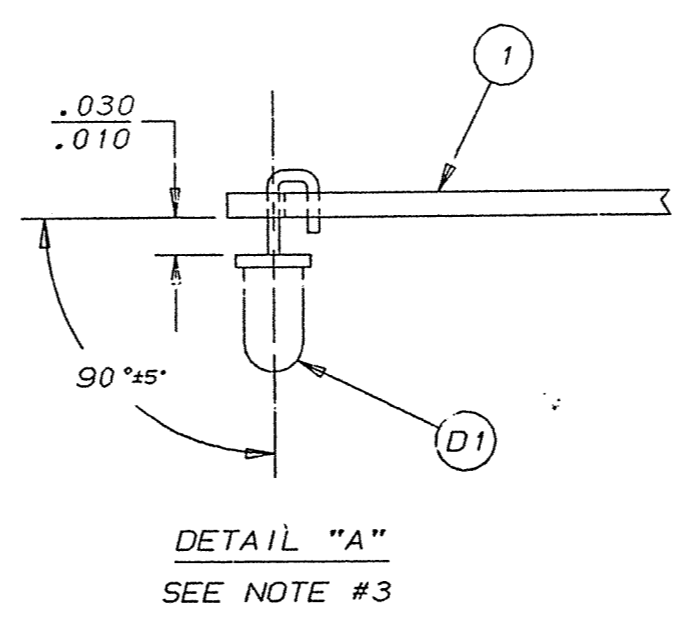
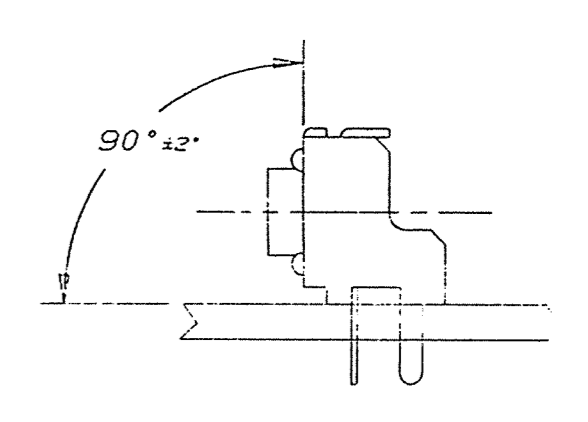
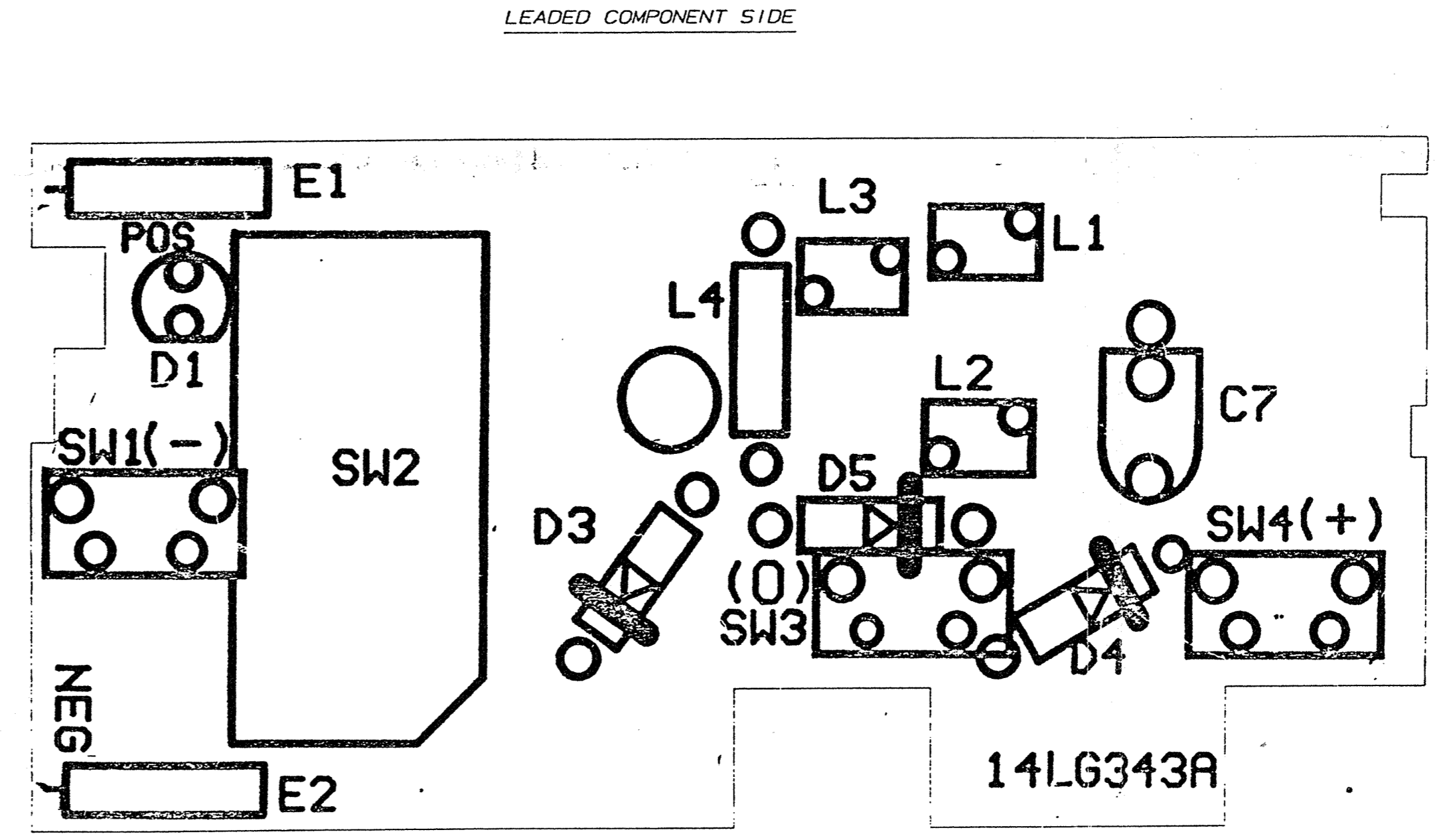
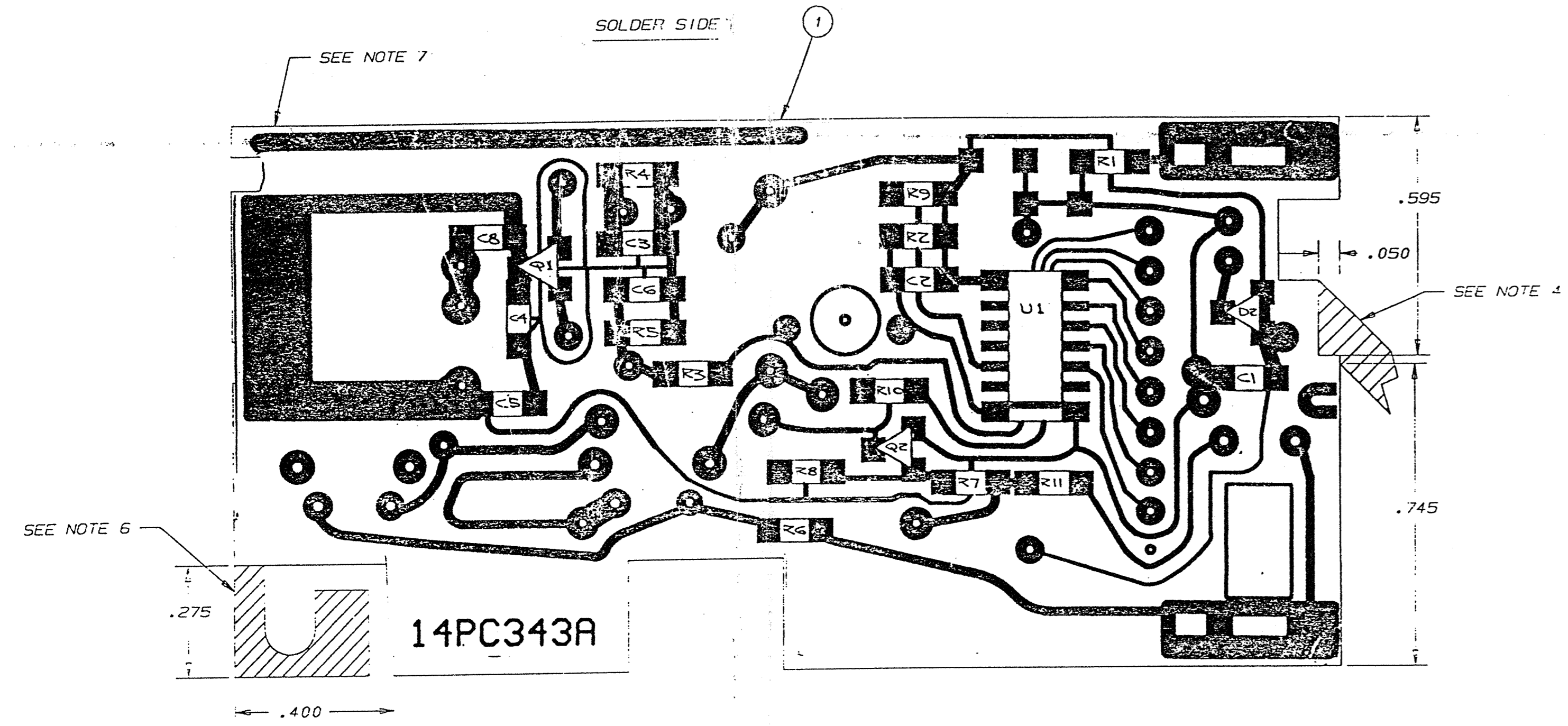


ITEM	PART NO.	DESCRIPTION	QTY.	ITEM	PART NO.	DESCRIPTION	QTY.	ITEM	PART NO.	DESCRIPTION	QTY.
C1	30D610422R	CAP SMD .01uf X7R	1	R1,6,11	308C2215	RES SMD 220 1/8W 5%	3	Q1	207C0074	TRANSISTOR NPN RF SMD	1
C2,C5	30D6102010	CAP SMD 100pf NPO	2	R2	308C3945	RES SMD 390K 1/8W 5%	1	Q2	207C0069	TRANSISTOR,PNP SWITCH SMD	1
C3	30D6200000	CAP SMD 2 pf NPO	1	R3	308C3035	RES SMD 30K 1/8W 5%	1	S2	180C0068-A	TRINARY CODE SWITCH	1
C4	30D6300002	CAP SMD 3.0pf N220	1	R7,8,10	308C1035	RES SMD 10K 1/8W 5%	3	S1,3,4	180B0113	ON/OFF SWITCH,MOMENTARY	3
C7	30B0431	CAP RF TUNING 1.8pf-5pf	1	R5	308C1835	RES SMD 18K 1/8W 5%	1	L4	40A0039-45 40B0039-45	COIL 1uH .450 PREFORM	1
C6,C8	30D6680000	CAP SMD 6.8pf NPO	2	R4	308C1825	RES SMD 1.8K 1/8W 5%	1				
D1	52B0073	DIODE, LED	1	R9	---	NOT USED					
D2	52B0071	DIODE ZENER SMD 5.1V	1	U1	125C0074	ENCODER I.C. SMD	1				
D3,4,5	52A0029 52B0029	DIODE SIGNAL	3	L1,2,3	040A0059	COIL, 6.5T AIRWOUND	3				
E1,E2	203C0197	BATTERY TERM.	2		014D0343	P.C.B., TRANSMITTER	1				

PART NUMBER UNFIN. 5-20				PART NUMBER			
001D3469				001D3469			
REV. NO.	DATE	BY	APP.	REV. NO.	DATE	BY	APP.
C-001	1-3-89	PK	CH				
C-161	6-22-89	PK	JS				
C-260	8-23-89	PK	JS				
C-366	11-22-89	PK	JS				
D-486	12-4-90	PK	PH				
J-5117	4/10/95	LK					
M-5773							

- NOTES:
- ALL COMPONENTS TO BE INSERTED TO WITHIN .020" OF BODY OR PREFORM LIMITS.
  - TEST SPEC. REFERENCE: 190A0248  
SCHEMATIC REFERENCE: 182C0538  
SPEC. REFERENCE X-Y COORDINATES: 190A0219
  - BEND LED (D1) THROUGH NOTCH OF PCB AFTER WAVE SOLDER.
  - ALL 16 PCB MUST HAVE MATERIAL REMOVED DURING DEPANELING.
  - ALL ARRAY TABS MUST BE CUT FLUSH TO EDGE OF PCB, BUT NO MORE THAN .005" INTO BOARD.
  - ONE PCB OF 16-UP ARRAY WILL REQUIRE MATERIAL IN THE SHADED AREA REMOVED DURING DEPANELING.
  - ONE PCB OF 16-UP ARRAY WILL REQUIRE MATERIAL REMOVE FROM THIS EDGE DURING DEPANELING AND MUST BE FLUSH TO EDGE OF P.C. BOARD.
  - ALL FLUX USED IN SOLDER PROCESS MUST BE HALIDE-FREE.
  - LEAD CLIPPING SPEC. (WIRE LEADED PARTS ONLY): .050" MIN, .095" MAX.



NOV 19 1998

**CHAMBERLAIN**  
CONSUMER PRODUCTS GROUP  
A UNIT OF DUCHOSSAIS INDUSTRIES, INC.

NAME  
P.C.B. ASSY SMD 3CH  
STANDARD TRANSMITTER, 390mhz

TOLERANCES UNLESS OTHERWISE SPECIFIED	MATERIAL	FINISH	HEAT TREAT
.010 - .015 DECIMAL			
.0005 - .0010 DECIMAL			
1/16 - 1/8 FRACTIONS			
.001 - .002 INCHES			
.003 - .005 INCHES			

THIS COPY ISSUED	DRAWN BY	PK	DATE	1-89	SCALE	PART NUMBER	ISSUE
	CHECKED	JS	5-22-89	NONE	001D3469		
	APPROVED	JS	5-22-89				