

TRANSMITTER PARTS LIST

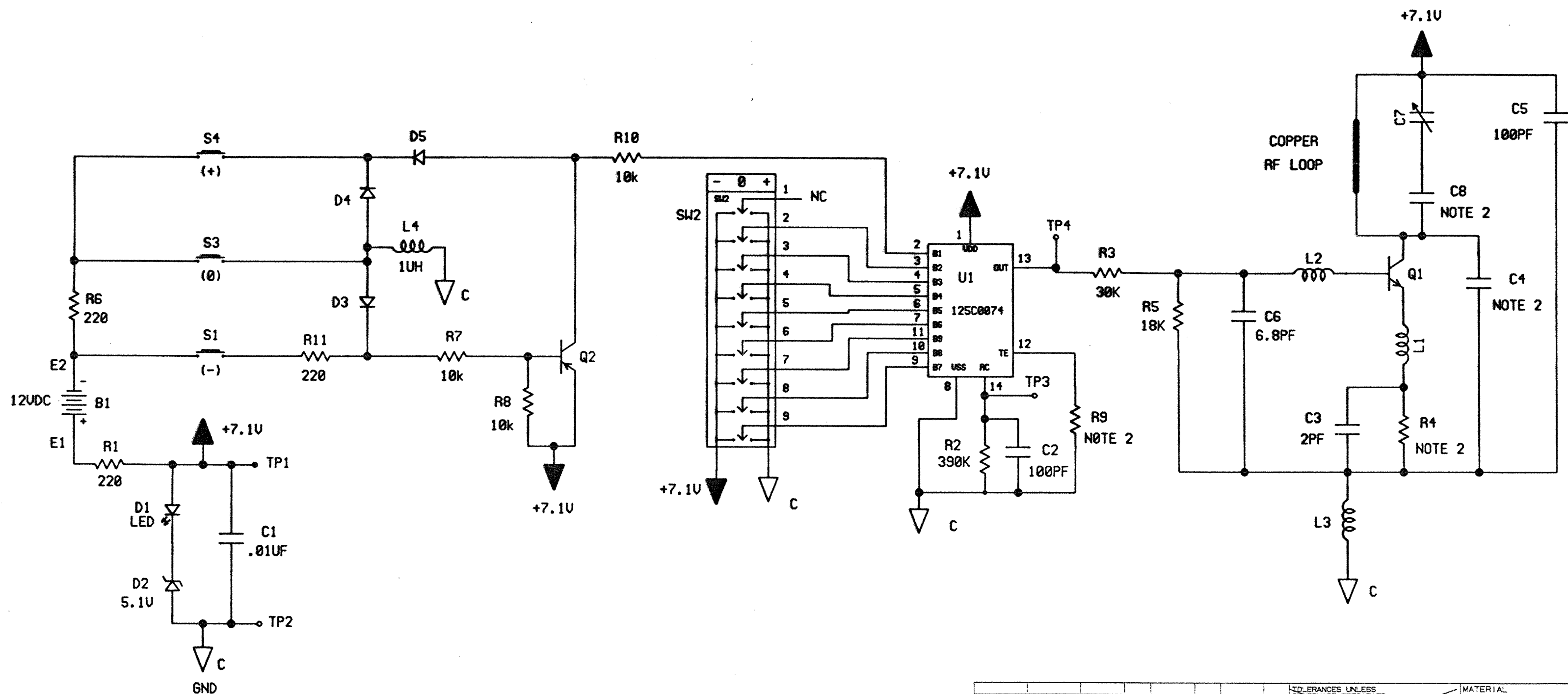
REF. NO.	PART NO.	DESCRIPTION	QTY
C1	30D610422R	CAP. SMD .01uf X7R	1
C2,5	30D6102010	CAP. SMD 100pf NPO	2
C6	30D6680000	CAP. SMD 6.8pf NPO	1
C4	NOTE 2	CAP. SMD	1
C3	30D6200000	CAP. SMD 2pf NPO	1
C7	30B0431	CAP. VARIABLE 1.8-5pf	1
C8	NOTE 2	CAP. SMD	1
D1	52B0073	DIODE, LED	1
D2	52B0071	DIODE, SMD ZENER 5.1V	1
D3,4,5	52A0029	DIODE, SIGNAL	3
E1,E2	203C0197	BATTERY TERMINAL	2
R1,R6,R11	308C2215	RES. SMD 220 1/8W 5%	3
R2	308C3945	RES. SMD 390K 1/8W 5%	1
R3	308C3035	RES. SMD 30K 1/8W 5%	1
R5	308C1835	RES. SMD 18K 1/8W 5%	1
R7,8,10	308C1035	RES. SMD 10K 1/8W 5%	3
R9	NOTE 2	RES. SMD 1/8W 5%	1
R4	NOTE 2	RES. SMD	1
S2	180C0068	SWITCH, TRINARY 1-9	1
U1	125C0074	I.C. SMD TRINARY ENCODER	1
B1	10A0014	BATTERY, 12V	1
-	14D0343	P.C. BOARD	1
S1,3,4	180B0113	ON/OFF SWITCH, MOMENTARY	3

REF. NO.	PART NO.	DESCRIPTION	QTY
Q1	207C0074	TRANSISTOR, NPN RF SMD	1
Q2	207C0069	TRANSISTOR, PNP SWITCH, SMD	1
L1,L2,L3	40A0059	COIL, 6.5 AIRWOUND	3
L4	40A0039-45	COIL, 1uH .450 PRE FORM	1

NOTES:
 1. UNLESS OTHERWISE NOTED:
 -CAPACITORS ARE IN PICO FARADS, NPO
 -RESISTORS ARE IN OHMS 1/8W 5%
 2. COMPONENT USAGE CHART:

REF. DESIGNATION	TRANSMITTER ASS'Y NUMBER		
	001D3469	001D3469-L	001D3470
C4	30D6300001 3pf N150	30D6680000 6.8pf NPO	30D6680000 6.8pf NPO
C8	30D6680000 6.8pf NPO	30D6121000 12pf NPO	30D6121000 12pf NPO
R4	308C1825 1.8K	308C1225 1.2K	308C1225 1.2K
R9	NOT USED	NOT USED	308C2215 220 Ω
2 SEC. TIMER	NO	NO	YES
OSC. FREQ.	390 MHz	315 MHz	315 MHz

PART NUMBER UNFINISHED				PART NUMBER		ISSUE
				182C053B		
E.C.N.#	DATE	BY	APP	REVISIONS		
C-010	1-3-89	PK	CH	RELEASE		A
D-486	12-4-90	PK	PK	C7, 30B0431 WAS 30B0425		B



CHAMBERLAIN
 CONSUMER PRODUCTS GROUP
 A UNIT OF DUCHOSSOIS INDUSTRIES, INC.
 NAME SCHEMATIC, 3 CHANNEL STANDARD TRANSMITTER

TOLERANCES UNLESS OTHERWISE SPECIFIED		MATERIAL		FINISH		HEAT TREAT	
.010 .001 DECIMAL							
.005 .000 DECIMAL							
.175 .031 FRACTIONS							
.030 .001 ON HOLES							
.003 .001 ON HOLES							
THIS COPY ISSUED		DRAWN BY PK		DATE 4-89		SCALE	
		CHECKED JS		4-29-89		PART NUMBER	
		APPROVED		NONE		182C053B	
						ISSUE	
						B	

NEXT ASS'Y USED ON REQ'D USED ON REQ'D USED ON REQ'D