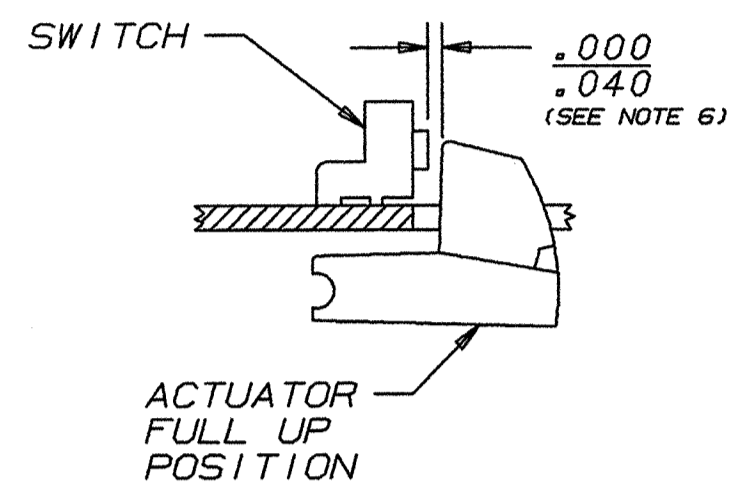
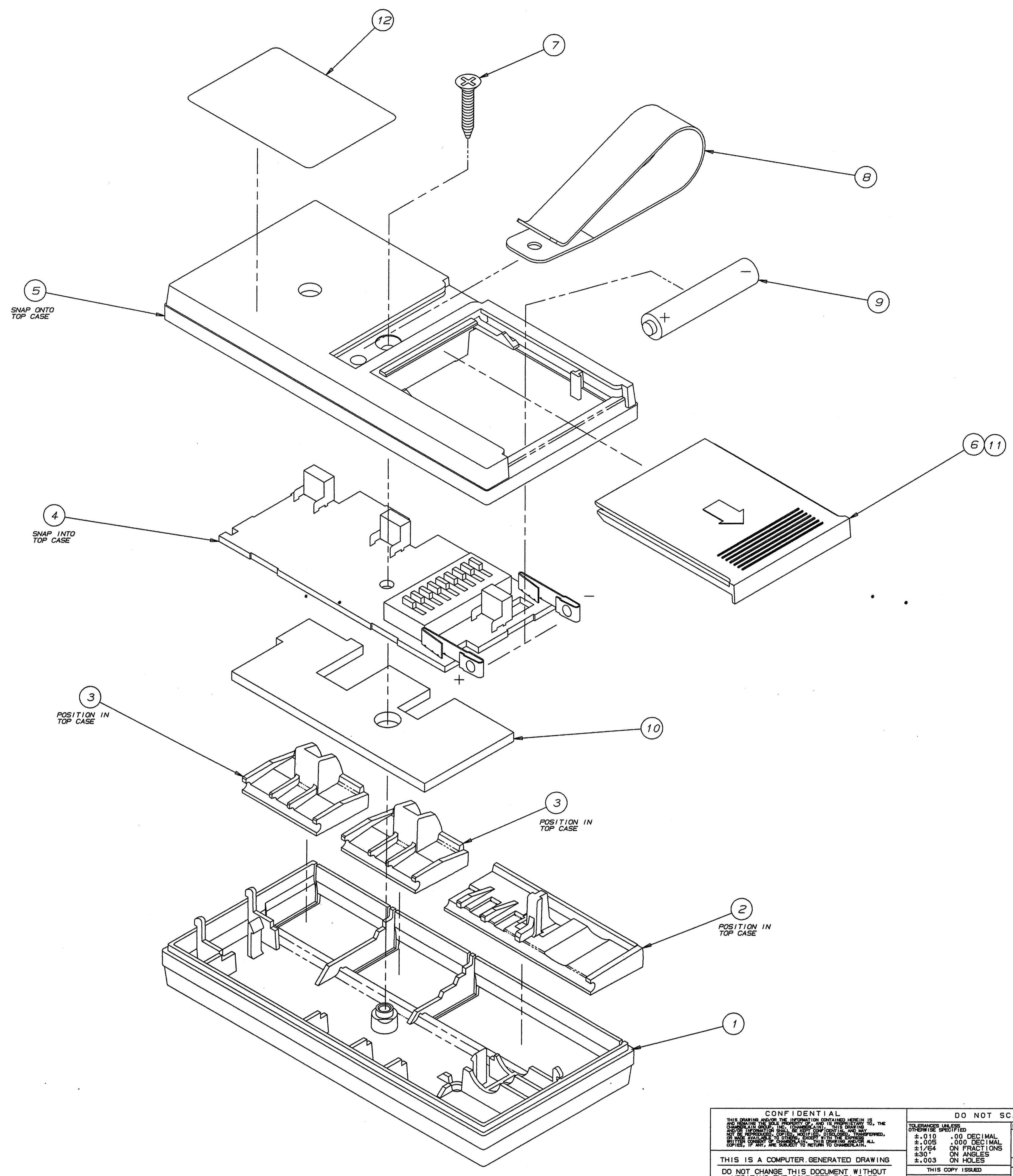


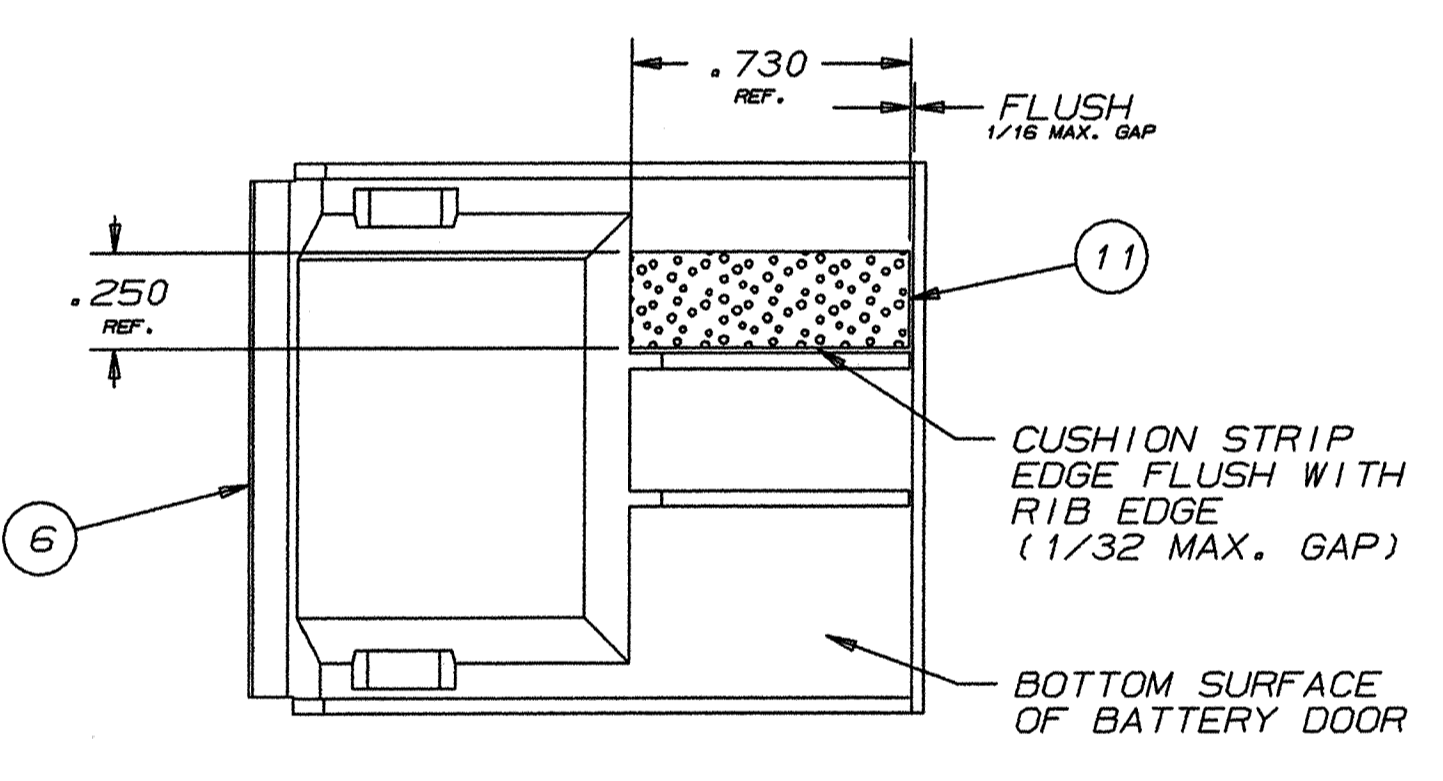
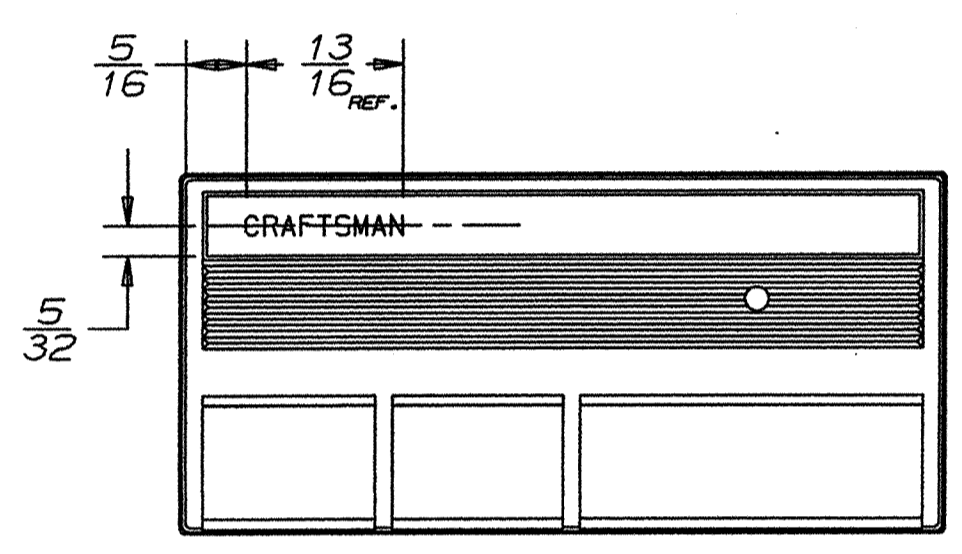
ITEM	PART NO.	DESCRIPTION	QTY.
1	031D0353	TOP CASE	1
2	101D0070	ACTUATOR, LARGE	1
3	101C0069	ACTUATOR, SMALL	2
4	001D3469	P.C. BOARD ASSEMBLY	1
5	031D0354	BOTTOM CASE	1
6	031D0352	BATTERY DOOR	1
7	171A0394	SCREW	1
8	029C0128	VISOR CLIP	1
9	010A0014	BATTERY	1
10	177A0123	FOAM SPRING PAD	1
11	186A0050	CUSHION STRIP	1
12	132C2000	LABEL, FCC/DOC	1

PART NUMBER UNFINISHED				PART NUMBER			
				195D0341			
E.C.N.R.	DATE	BY	APP	REVISION			
C-010	04/25/89	TB	CR	RELEASE			
C-169	6-13-89	TB	CR	ITEM 12 WAS 132C1947			
C-320	10-10-89	TB	RL	ITEM #10 WAS 177A0122			
C-366	11-22-89	PK	JS	103469 WAS 1400343			
D-189	5-14-90	LK	CR	ADDED FCC/DOC LABEL CHART			
D-303	7-12-90	PK	CR	171A0394 WAS 171A0376			
D-416	10-15-90	TB	CR	ITEM #12 WAS 132C1972 CR 132C1975			
K-5498	11/6/96	LK		ISSUED 1163-00-1 WAS 085E1019-00-1 13/16 REF. WAS 1 1/4.			

1. TIGHTEN SCREW (ITEM 7) TO 3 IN/LBF MAX. TORQUE
2. TEST SPEC 190A0248 (PCB ASSY) 182C0538 (SCHEMATIC)
3. PRODUCT TEST SPEC.: 190A0248
4. FCC LABEL PLACED OVER TUNING HOLE FOR BEST PRESENTATION
5. INSERT BATTERY AFTER TOP & BOTTOM CASE ARE SCREWED TOGETHER.
6. ACTUATOR IN FULL UPRIGHT CONDITION MAY TOUCH SWITCH HOWEVER SHOULD NOT CAUSE SWITCH ACTIVATION.



ARTWORK NO. 195ST1163-00-A
COLOR RED; PMS-185C



LOCATION OF CUSHION STRIP (11) ON BATTERY DOOR (6)

CONFIDENTIAL THIS DRAWING IS THE PROPERTY OF CHAMBERLAIN. IT IS TO BE KEPT IN CONFIDENTIALITY AND NOT TO BE REPRODUCED OR DISCLOSED TO ANY OTHER PERSON OR ORGANIZATION WITHOUT THE WRITTEN PERMISSION OF CHAMBERLAIN. ALL RIGHTS ARE RESERVED. THIS IS A COMPUTER GENERATED DRAWING. DO NOT CHANGE THIS DOCUMENT WITHOUT UPDATING THE COMPUTER DATA BASE.	DO NOT SCALE DRAWING DIMENSIONS SHOWN IN DECIMALS .010 .010 DECIMAL .005 .005 DECIMAL 3/64 ON ANGLES 3/64 ON HOLES 3/64 ON HOLES	MATERIAL SEE CHART	FINISH HEAT TREAT
	THIS COPY ISSUED	DRAWN BY TB DATE 3-89 CHECKED APPROVED	SCALE PART NUMBER 2X 195D0341

CHAMBERLAIN
CONSUMER PRODUCTS GROUP
A UNIT OF DUCROSS INDUSTRIES, INC.

NAME: TRANSMITTER ASSY
SRS STD. 3 CHNL