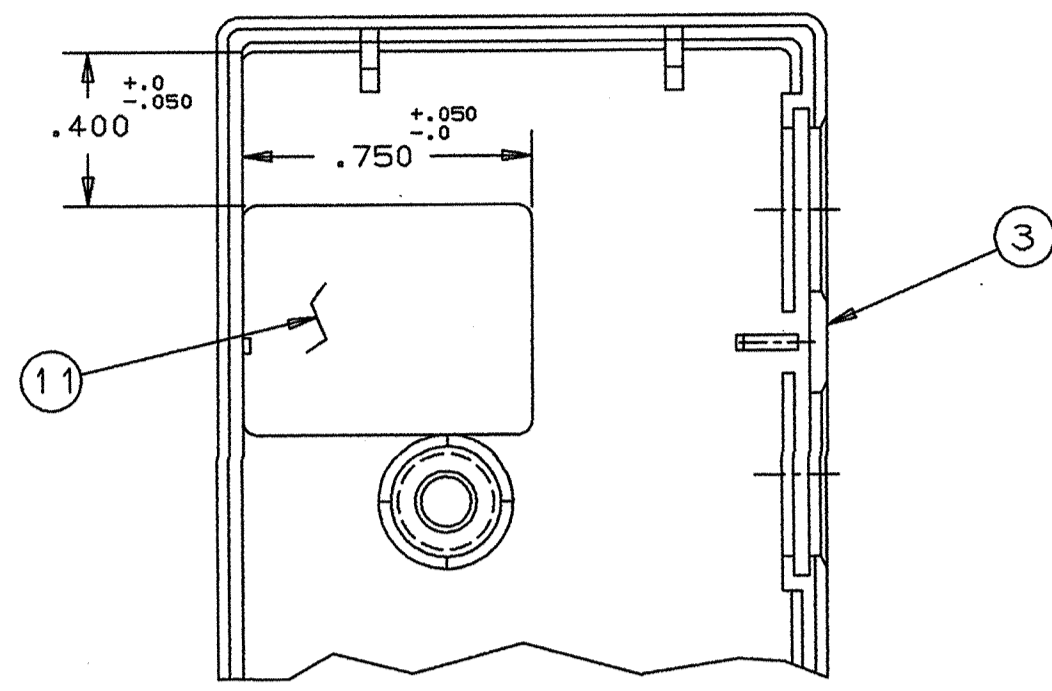


REF	PART NO.	DESCRIPTION	QTY	REF	PART NO.	DESCRIPTION	QTY
1	SEE CHART	TOP HOUSING	1	6	010A0014	BATTERY, 12V	1
2	101B0071	TOP ACTUATOR	1	7	158A0054	KEY RING LOOP	1
3	SEE CHART	BOTTOM HOUSING	1	8	171A0383	SCREW, 4-20 x 7/16	1
4	101B0072	SIDE ACTUATOR	1	9	SEE CHART	LABEL, FCC	1
5	001D3421	P.C. BOARD ASSEMBLY	1	10	186A0050	CUSHION STRIP	1
				11	172A0035	LABEL, SHIELD	1

NOTES:

- TIGHTEN SCREW (ITEM 8) TO 3 IN/LBS MAX. TORQUE.
- TEST SPEC. 190A0245 (PCB ASSY) 182C0532 (SCHEMATIC).
- PRODUCT TEST SPEC.
- APPLY LABEL (ITEM 9) TO TOP END OF BOTTOM HOUSING OUTSIDE SURFACE FOR BEST PRESENTATION.
- TUNING TX ASSY; AFTER ASSEMBLY OF TRANSMITTER, FINAL FREQ. MUST COMPLY WITH 190A0245 SPEC.

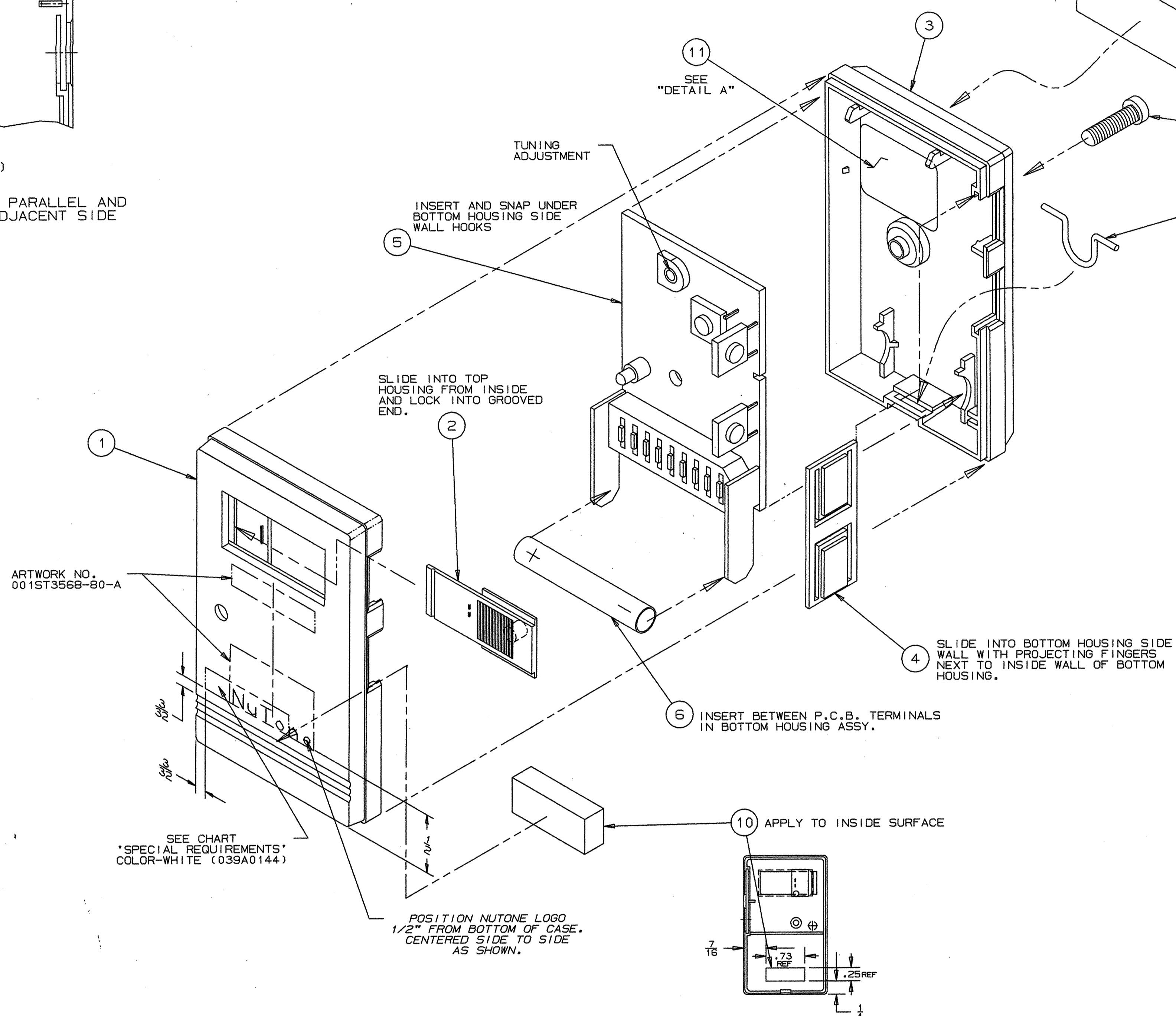


DETAIL "A"
(SEE NOTE 7)

- ITEM 11 (ONE SIDE) TO BE PARALLEL AND TOUCHING SIDE WALL AND ADJACENT SIDE TANGENT TO SCREW BOSS.

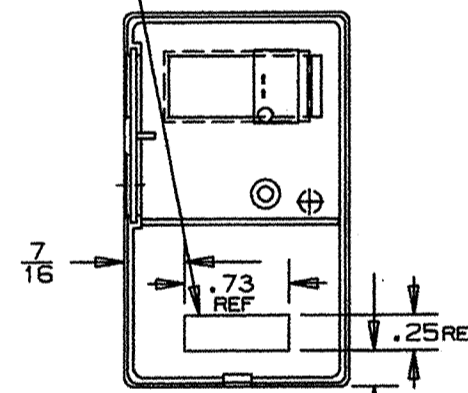
ASSY NO.	ITEM	PART NO.	SPECIAL REQUIREMENTS
001A356B LM	1	093D0115	
	3	093D0109-1	TAMPO PRINTING OF TOP CASE REQUIRED USING ARTWORK NO. 0935T0115-00-A
	9	132C2000-1	
001A356B-1 MM	1	093D0115-1	
	3	093D0109-2	TAMPO PRINTING OF TOP CASE REQUIRED USING ARTWORK NO. 0015T356B-10-B
	9	132C2000-1	
001A356B-2 CGI	1	093D0115-2	
	3	093D0109-3	TAMPO PRINTING OF TOP CASE REQUIRED USING ARTWORK NO. 0015T356B-20-A
	9	132C2000-1	
001A356B-3 HWI	1	093D0115	
	3	093D0109-1	TAMPO PRINTING OF TOP CASE REQUIRED USING ARTWORK NO. 0015T356B-30-A
	9	132C2000-1	
001A356B-4 CGI GENERIC	1	093D0115-2	
	3	093D0109-3	TAMPO PRINTING OF TOP CASE TO BE DONE BY CGI CANADA
	9	132C2000-1	
001A356B-5 FRANTZ	1	093D0115-1	
	3	093D0109-2	TAMPO PRINTING OF TOP CASE REQUIRED USING ARTWORK NO. 0015T356B-50-A
	9	132C2000-1	
001A356B-6 LM GENERIC	1	093D0115	
	3	093D0109-1	TAMPO PRINTING OF TOP CASE TO BE DONE BY LM CANADA
	9	132C2000-1	

ASSY NO.	ITEM	PART NO.	SPECIAL REQUIREMENTS
001A356B-7 HBC	1	093D0115-1	
	3	093D0109-2	TAMPO PRINTING OF TOP CASE REQUIRED USING ARTWORK NO. 0015T356B-70-A
	9	132C2000-1	
001A356B-8 RGD	1	093D0115	
	3	093D0109-1	TAMPO PRINTING OF TOP CASE REQUIRED USING ARTWORK NO. 0015T356B-80-A
	9	132C2000-1	
001A356B-9 SC	1	093D0115	
	3	093D0109-1	TAMPO PRINTING OF TOP CASE REQUIRED USING ARTWORK NO. 0015T356B-90-A
	9	132C2000-1	
001A356B-10 NUTONE	1	093D0115	
	3	093D0109-1	TAMPO PRINTING OF TOP CASE REQUIRED USING ARTWORK NO. 0015T356B-100-A
	9	132C2000-2	



SEE CHART
"SPECIAL REQUIREMENTS"
COLOR-WHITE (039A0144)

POSITION NUTONE LOGO
1/2" FROM BOTTOM OF CASE.
CENTERED SIDE TO SIDE
AS SHOWN.



<p>CONFIDENTIAL</p> <p>THIS DRAWING AND/OR THE INFORMATION CONTAINED HEREIN IS THE PROPERTY OF CHAMBERLAIN. IT IS TO BE KEPT IN STRICT CONFIDENCE AND NOT TO BE REPRODUCED OR DISCLOSED TO ANY OTHER PERSON OR ENTITY WITHOUT THE WRITTEN CONSENT OF CHAMBERLAIN. THIS DRAWING AND/OR ALL COPIES, IF ANY, ARE SUBJECT TO RETURN TO CHAMBERLAIN.</p> <p>THIS IS A COMPUTER GENERATED DRAWING. DO NOT CHANGE THIS DOCUMENT BY TYPING OR UPDATING THE COMPUTER DATA BASE.</p>		<p>DO NOT SCALE DRAWING</p> <p>UNLESS OTHERWISE SPECIFIED: #-010 - .001 DECIMAL #-000 - .000 DECIMAL #100 - ON FRACTIONS #50+ - ON ANGLES #-000 - ON HOLES</p>		<p>MATERIAL</p>		<p>FINISH</p>		<p>HEAT TREAT</p>	
<p>THIS COPY ISSUED</p>		<p>DRAWN BY LAK DATE 11-89</p>		<p>SCALE</p>		<p>PART NUMBER</p>		<p>ISSUE</p>	
<p>APPROVED</p>		<p>CHECKED</p>		<p>NONE</p>		<p>195D0395</p>		<p>Q</p>	

PART NUMBER UNFINISHED				PART NUMBER			
195D0395				195D0395			
E.C.N.#	DATE	BY	APP	REVISION	ISSUE	DATE	BY
C-410	1-10-90	LK		RELEASE	A		
D-153	3-28-90	PK	BW	ADDED 172A0035 ADDED NOTE 546, DETAIL "A".	B		
D-339	9-4-90	PK	CR	ADDED SPECIAL REQUIREMENT CHART	C		
D-379	9-18-90	TB	CR	ADDED 001A356B-2 & 001A356B-3; ITEM 9 WAS 132A1970-1.	D		
D-416	10-16-90	TB	CR	ITEM #9 WAS 132A1970-3	E		
D-408	11-16-90	TB	CR	ADDED 001A356B-4 AND 001A356B-5	F		
D-471	12-11-90	LK	CR	ADDED ARTWORK NO. 1 0015T356B-100-A FOR ASS'Y NO. 001A356B-8	G		
D-484	1-24-91	PK	CR	ITEM #10 WAS 185A0441	H		
E-011	1-24-91	PK	CR	ADDED 001A356B-6	J		
E-053	2-5-91	PK	CR	ADDED 001A356B-7	K		
E-148	3-19-91	PK	RJK	CHANGED 001A356B-11 "MM" WAS 11V. & 0015T356B-10-B WAS "A"	L		
E-496	10-3-91	PK	CR	CHANGED 001A356B-30; HWI WAS GMI & 0015T356B-50-A WAS 0015T356B-30-A	M		
F-013	1-10-92	TB	CR	ADDED 001A356B-8	N		
K-5405	9/26/96	LK	CR	ADDED 001A356B-9	P		
L-055	3/21/97	LK	CR	ADDED 001A356B-10	Q		