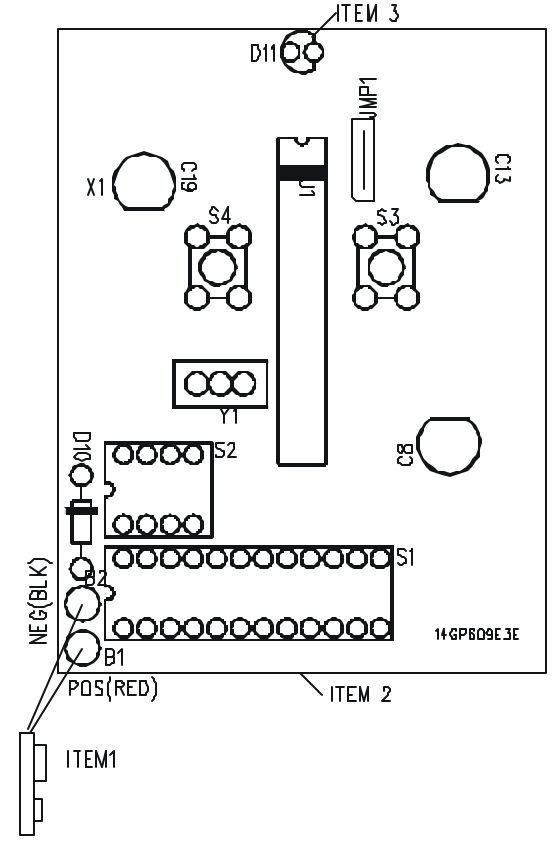
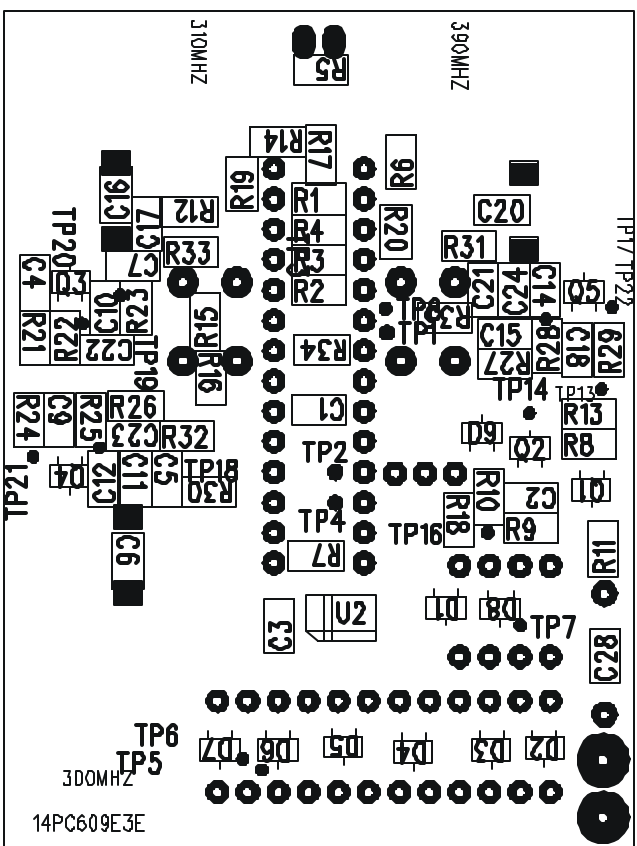
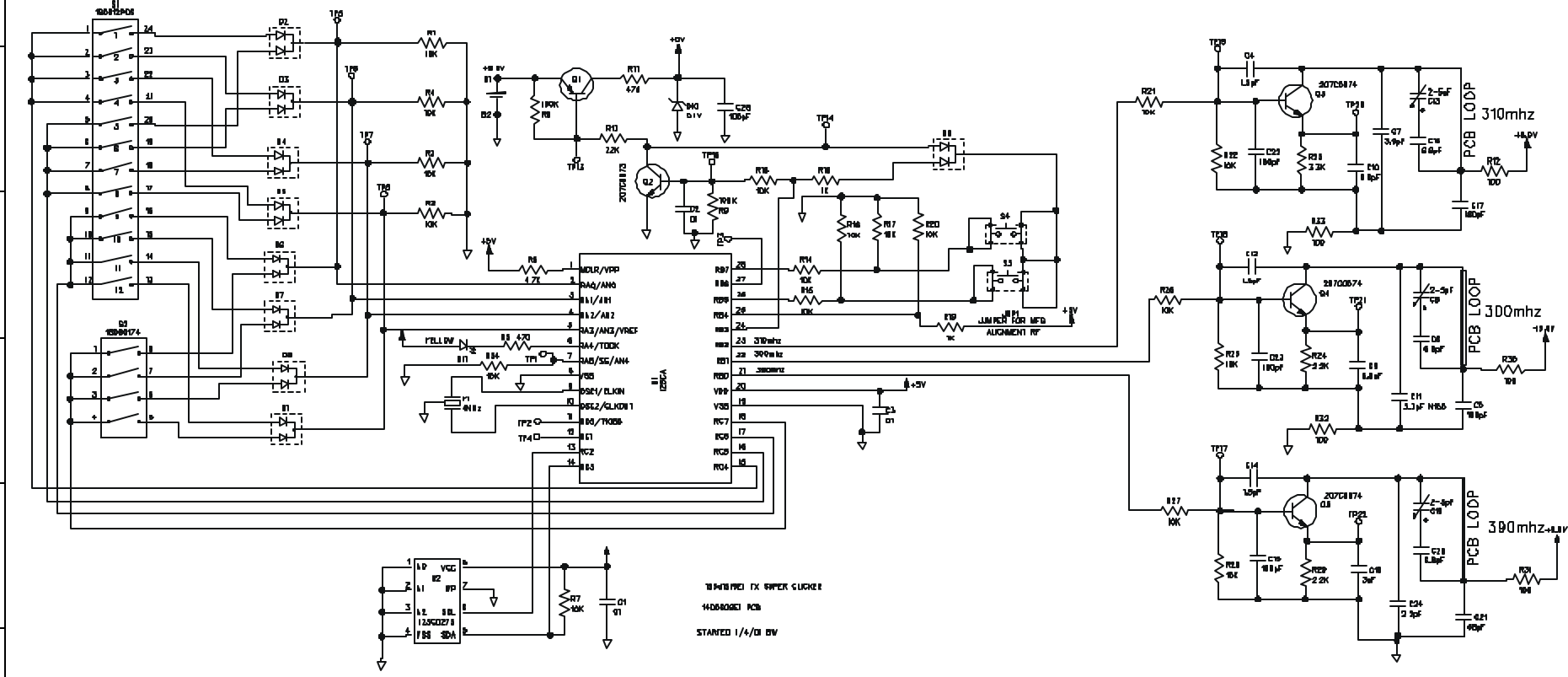


REF-DES	PART NUMBER	DESCRIPTION	QTY
C11	030D73300010	CAP SMD0805 3.3pF 5% N150	1
C1-3	030D710422R0	CAP SMD0805 0.01uF 20% X7R	3
C17 C22	030D71820002	CAP SMD0805 180pF 5% NPO 50V	2
C18	030D73000000	CAP SMD0805 3.0pF 5% NPO	1
C21	030D76810000	CAP SMD0805 68pF 5% NPO	1
C24	030D72203000	CAP SMD0805 2.2pF +/-1 NPO	1
C4 C12 C14	030D71500000	CAP SMD0805 1.5pF 5% NPO	3
C5 C15 C23 C28	030D71020002	CAP SMD0805 100pF 5% NPO 50V	4
C6 C9-10 C16 C20	030D76800000	CAP SMD0805 6.8pF 5% NPO	5
C7	030D73903000	CAP SMD0805 3.9pF +/-1 NPO	1
C8 C13 C19	30B0431	CAPACITOR_VARIABLE TOP ADJ	3
D10	52A0041	DIODE_ZENER 5.1V	1
D11	52B0079-2	DIODE_LED T1 YELLOW	1
D1-9	52B0070	DIODE_SMD DUAL COMMON CATHODE	9
Q1	207C0109	TRANSISTOR_SMD PNP SWITCH	1
Q2	207C0073	TRANSISTOR_SMD NPN SWITCH	1
Q3-5	207C0074	TRANSISTOR_SMD NPN RF	3
R10 R19	311C1025	RES SMD0805 1.0K 5%	2
R12 R30-33 R35	311C1015	RES SMD0805 100 5%	6
R13	311C2235	RES SMD0805 22K 5%	1
R1-4 R7 R14-18 R20-22 R25-28 R34	311C1035	RES SMD0805 10K 5%	18
R23	311C3325	RES SMD0805 3.3K 5%	1
R24 R29	311C2225	RES SMD0805 2.2K 5%	2
R5 R11	311C4715	RES SMD0805 470 5%	2
R6	311C4725	RES SMD0805 4.7K 5%	1
R8-9	311C1045	RES SMD0805 100K 5%	2
S1	180B0208	SWITCH DIP 12PST SLIDE	1
S2	180B0174	SWITCH DIP 4PST SLIDE	1
S3-4	180B0120-2	SWITCH_MOMENTARY PB	2
U1	127A0007	SOIC_MICROCHIP CLICKER	1
U2	125C0273	SOIC_SERIAL EEPROM 24LC01B	1
Y1	33B0039	RESONATOR_CERAMIC 4MHz	1
ITEM 1	023B0099	BATTERY CONNECTOR 9V	1
ITEM 2	014R0609	PCB 4UP	0.25
ITEM 3	184A0086	SPACER .100X187	1



REV	DATE	BY	CHKD	APPR	REASON
1					RELEASE



CONFIDENTIAL  
 THIS IS A COMPUTER GENERATED DRAWING  
 DO NOT CHANGE THIS DRAWING WITHOUT  
 NOTIFYING THE COMPUTER DATA BUREAU

DO NOT SCALE DRAWING  
 FOLLOWING DIMENSIONS SHOWN  
 1. DIMENSIONS TO CENTER UNLESS SPECIFIED  
 2. DIMENSIONS TO CENTER UNLESS SPECIFIED  
 3. DIMENSIONS TO CENTER UNLESS SPECIFIED  
 4. DIMENSIONS TO CENTER UNLESS SPECIFIED

**CHAMBERLAIN**  
 CONSUMER PRODUCTS GROUP  
 A UNIT OF CHAMBERLAIN INDUSTRIES INC.  
 TX CLICKER 2CHANNEL  
 UNIVERSAL

SCALE: PART NUMBER: 185D151B