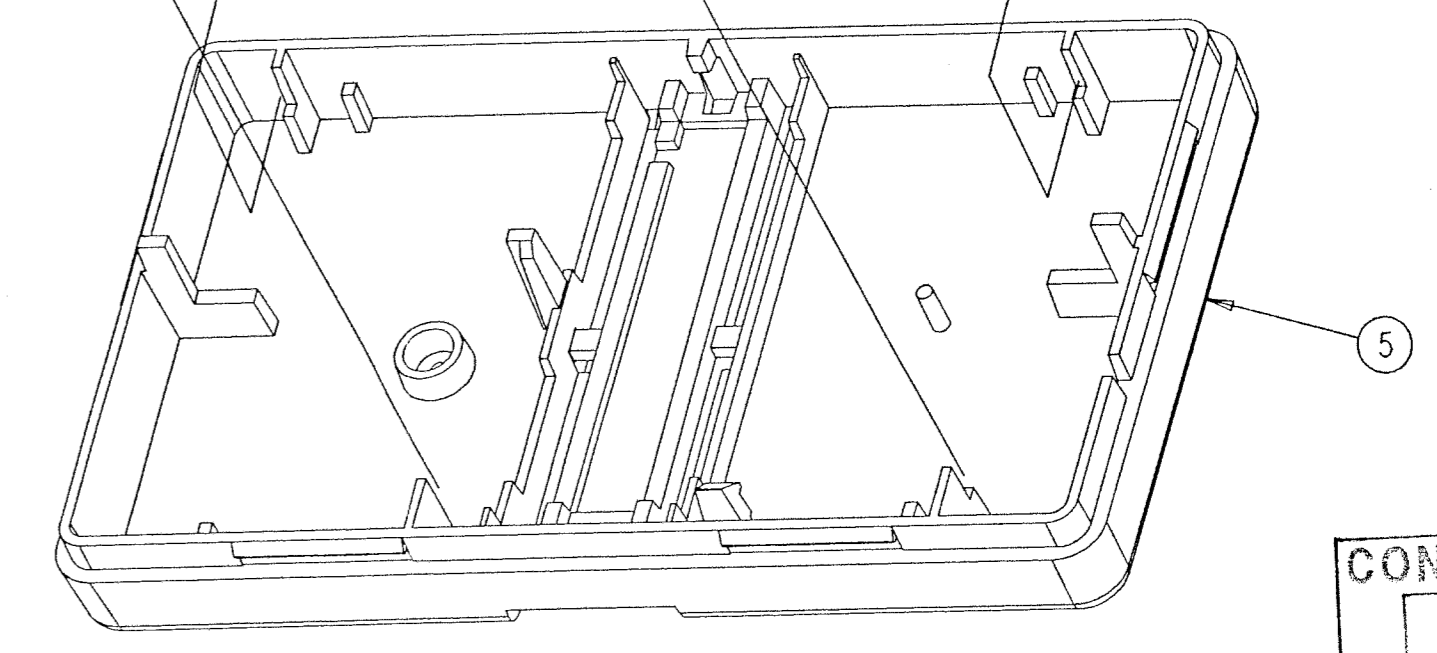
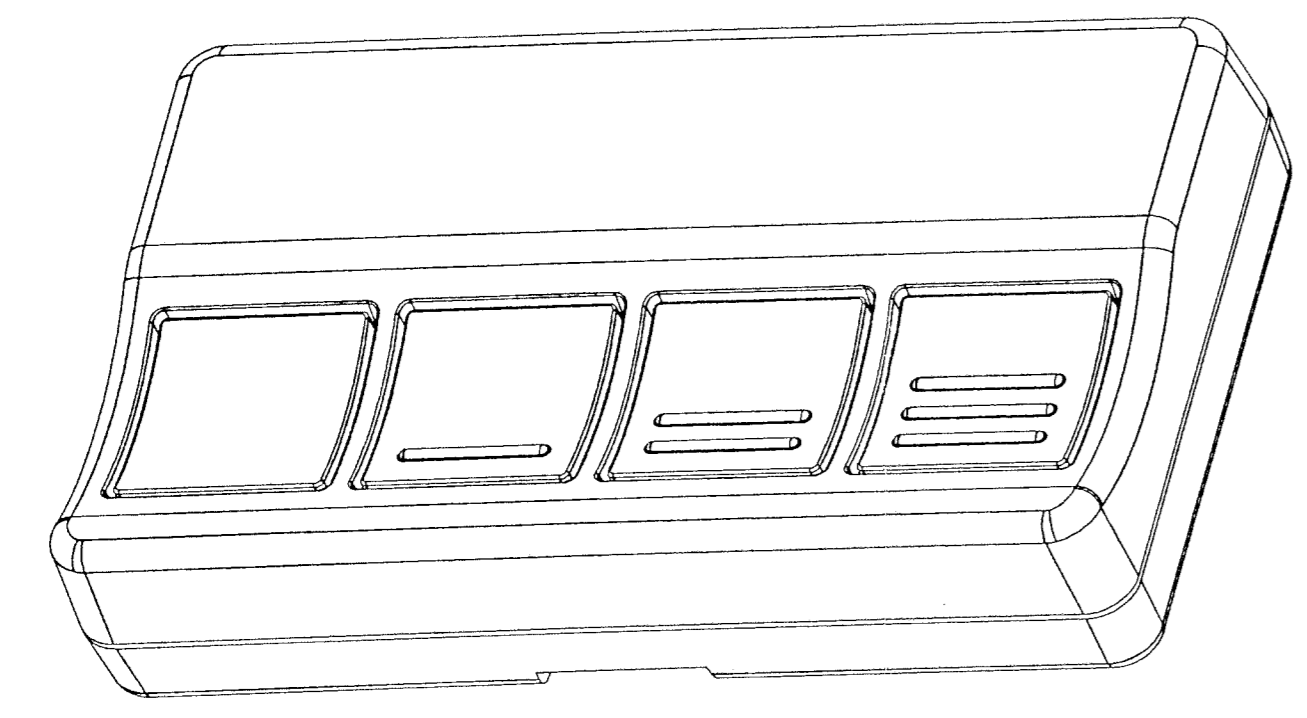
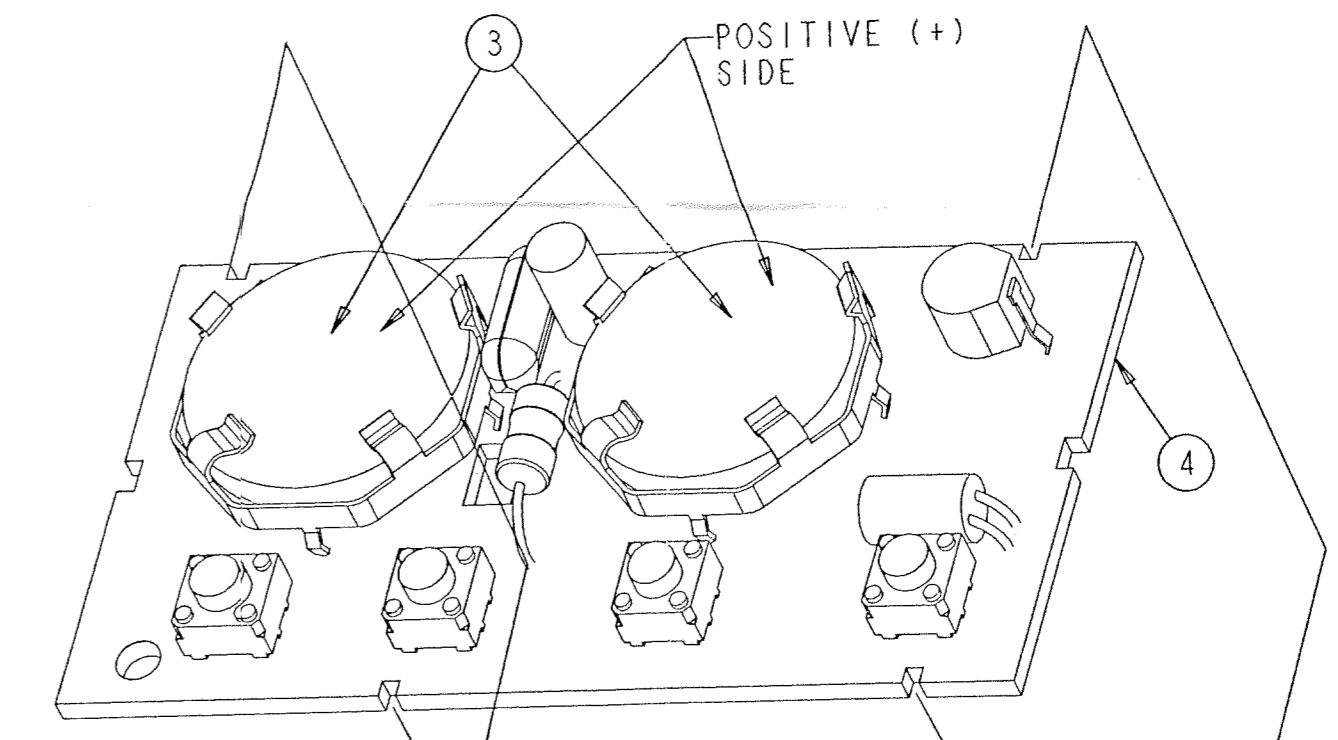
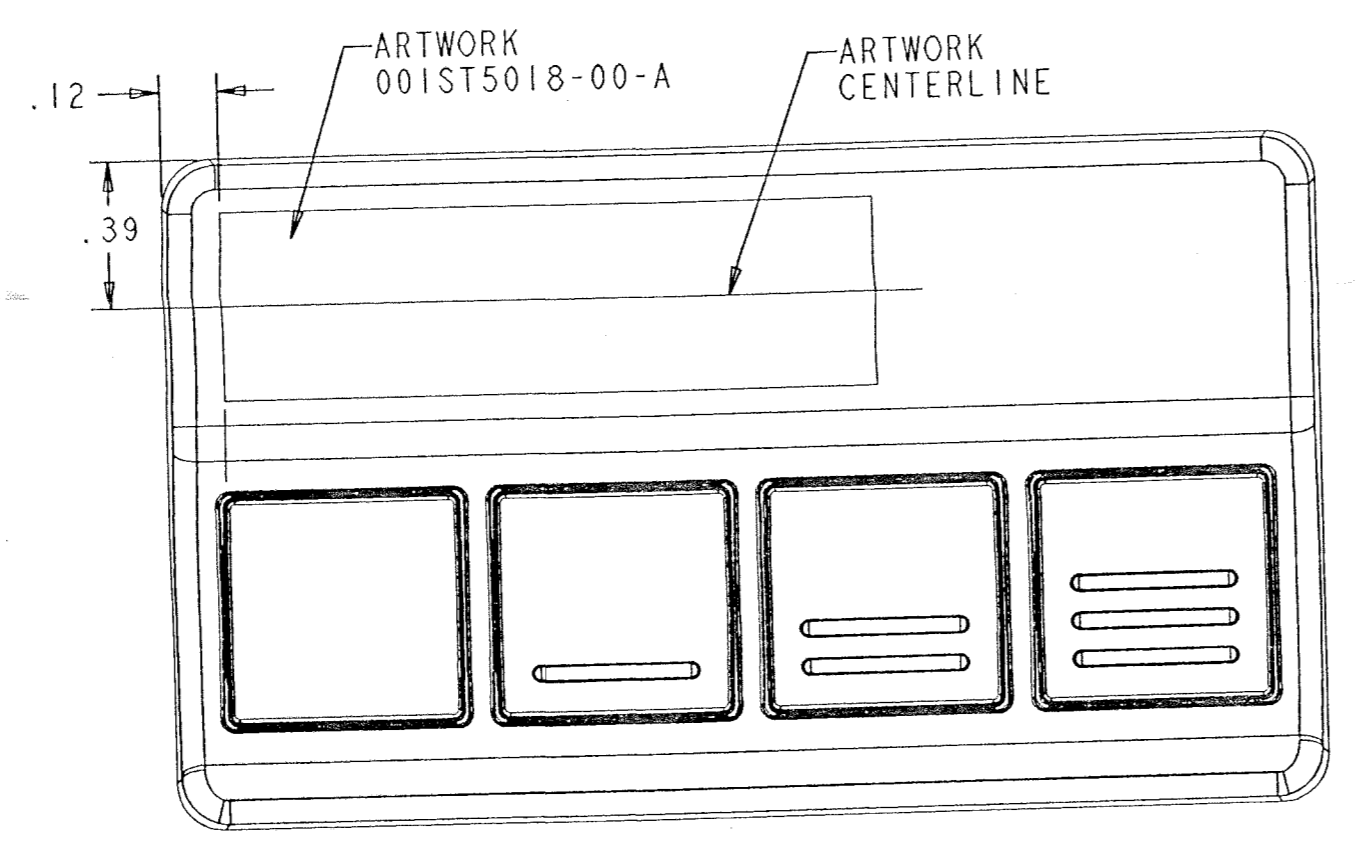
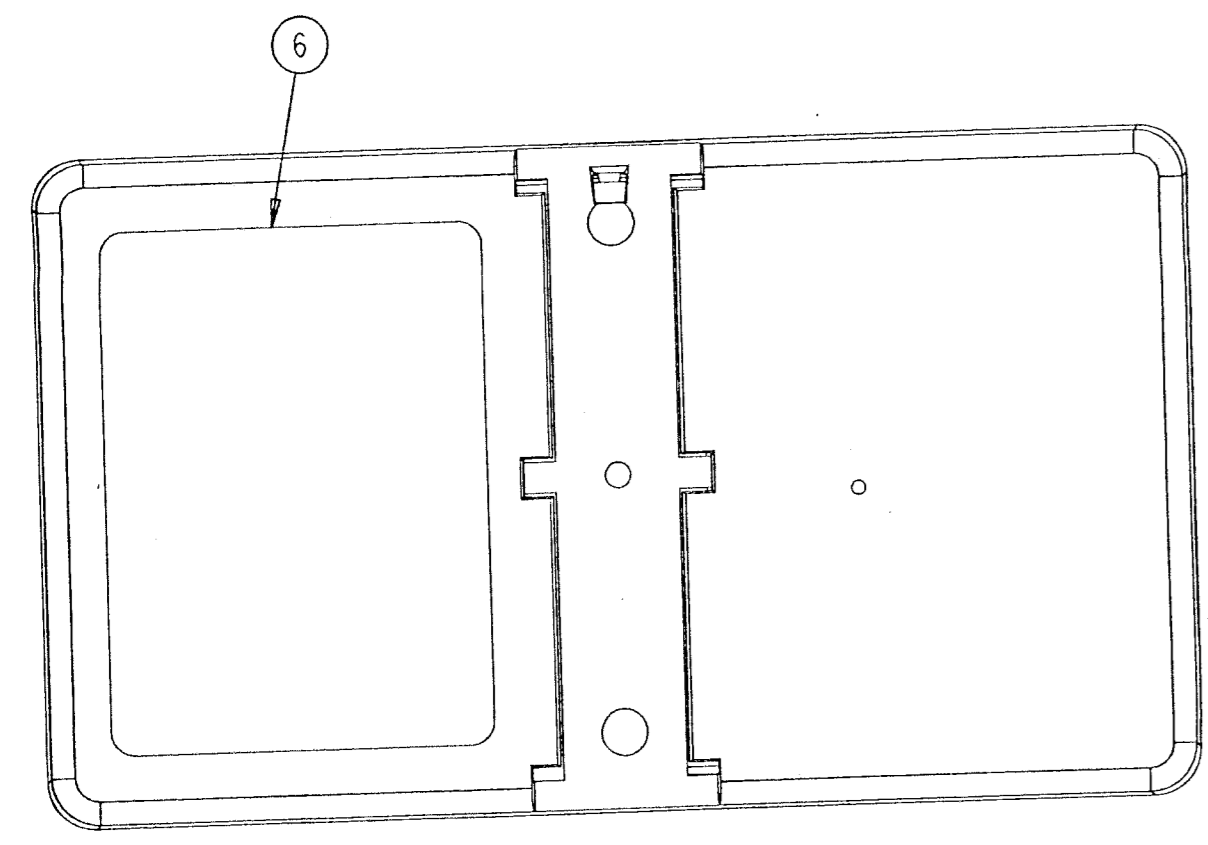
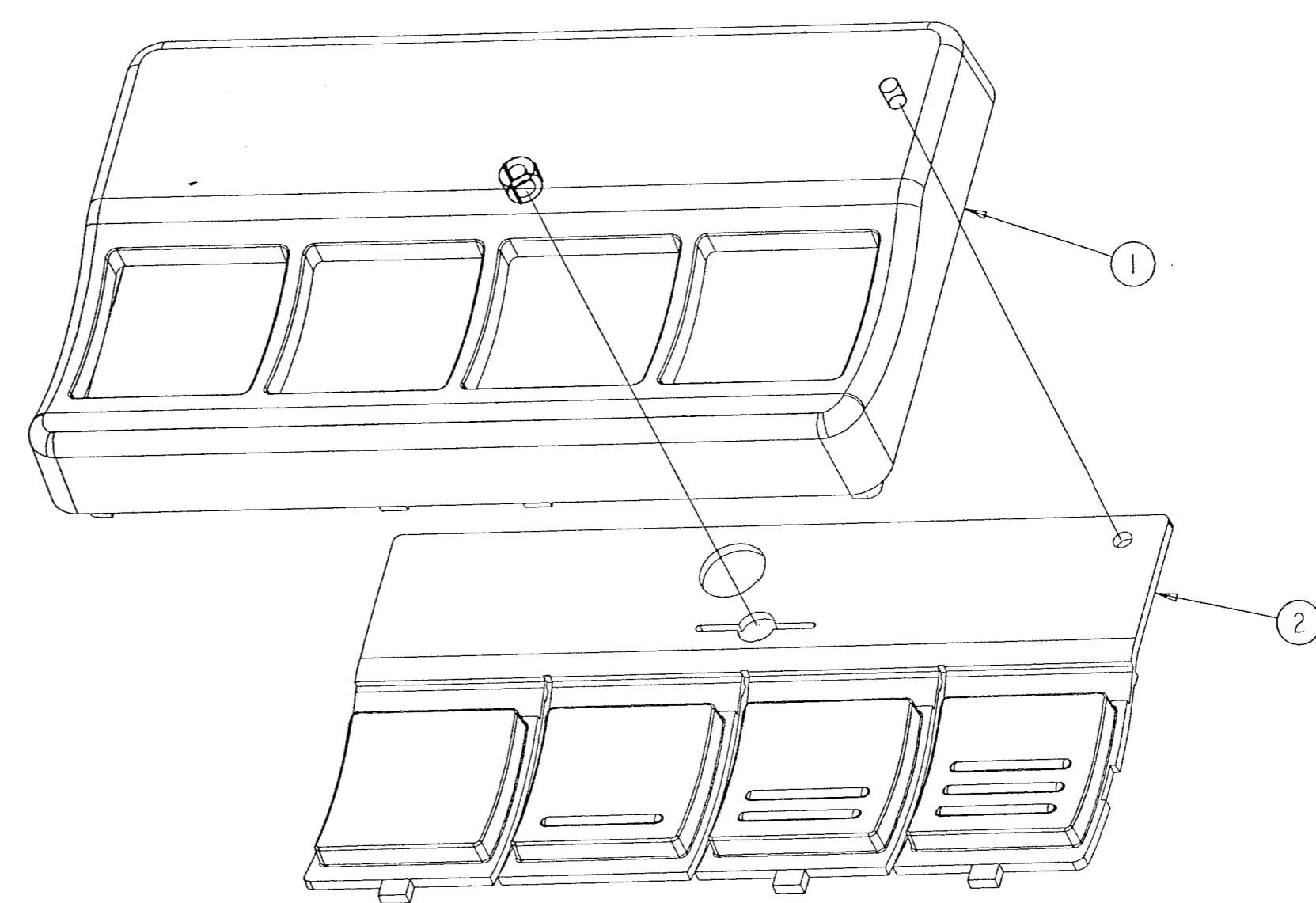


PART NUMBER: 195D1322			REV
ECN/DATE	BY	APP	REVISION
L-274 11DEC97	MF		RELEASE
M-5249	AA		ADDED CHART & LOC. E6; REMOVED "001ST5018-00-A" & ADDED "SEE CHART".
N-5435 5JUL99	HG		ADDED 001A5059-7 TO CHART; LOC C1
N-5711 14OCT99	HOG		ADDED 001A5059-8 TO CHART; LOC D1
P-5895 12DIC00	DV	JF	ADDED 001A5467-4RGD, -7, -8, -4 TO CHART.

- ASSEMBLY SEQUENCE:
1. INSERT ITEMS (3) INTO BATTERY CONTACTS OF ITEM (4). SEE 190A0416 PRECAUTION OF LITHIUM BATTERY.
  2. INSERT ITEM (4) INTO ITEM (5).
  3. INSERT ITEM (2) INTO ITEM (1).
  4. SNAP ITEM (1) ONTO ITEM (5).
  5. PLACE ITEM (6) ON ITEM (4) SO IT IS ON THE OPPOSITE SIDE OF THE SMALL HOLE.
  6. PARTS INDICATED BY BALLOON NUMBERS ARE REFERENCED IN FINAL ASSEMBLY B.O.M.

REFERENCE ITEMS:  
PRODUCT PERFORMANCE SPEC. 190A0465

ASSY	SPECIAL REQUIREMENTS
001A5059-4 (LM)	TAMPO PRINTING OF TOP CASE REQUIRED USING ARTWORK No. 001ST5018-00-A; PRINTED WHITE
001A5059-4RGD (RGD)	TAMPO PRINTING OF TOP CASE REQUIRED USING ARTWORK No. 001ST5081-40-A; PRINTED WHITE
001A5059-7 (AC)	TAMPO PRINTING OF TOP CASE REQUIRED USING ARTWORK No. 001ST5056-70-A; PRINTED WHITE
001A5059-8 (AD)	TAMPO PRINTING OF TOP CASE REQUIRED USING ARTWORK No. 001ST3586-40-A; PRINTED WHITE
001A5467-4 (LM)	TAMPO PRINTING OF TOP CASE REQUIRED USING ARTWORK No. 001ST5018-00-A; PRINTED WHITE
001A5467-4RGD (RGD)	TAMPO PRINTING OF TOP CASE REQUIRED USING ARTWORK No. 001ST5081-40-A; PRINTED WHITE
001A5467-7 (AC)	TAMPO PRINTING OF TOP CASE REQUIRED USING ARTWORK No. 001ST5056-70-A; PRINTED WHITE
001A5467-8 (AD)	TAMPO PRINTING OF TOP CASE REQUIRED USING ARTWORK No. 001ST3586-40-A; PRINTED WHITE



CONTROL COPY  
JAN 18 2001  
EDCC

THIRD ANGLE PROJECTION

**CHAMBERLAIN**  
CONSUMER PRODUCTS GROUP  
A UNIT OF DUCOSSOIS INDUSTRIES, INC.  
NAME: TRANSMITTER - 4 BUTTON ASSEMBLY  
MATERIAL: SEE NOTES

DO NOT SCALE DRAWING		FINISH		SCALE		REV			
<p>CONFIDENTIAL</p> <p>THIS DRAWING AND/OR INFORMATION CONTAINED HEREIN IS AND REMAINS THE SOLE PROPERTY OF AND IS PROPRIETARY TO THE COMPANY AND GROUP. THE INFORMATION IS UNCLASSIFIED AND FOR INFORMATION PURPOSES ONLY. CONFIDENTIAL INFORMATION IS NOT BEING RELEASED TO OTHERS WITHOUT THE EXPRESS WRITTEN CONSENT OF CHAMBERLAIN. THIS DRAWING IS UNCLASSIFIED AND IS SUBJECT TO REVISION TO CORRECT ANY AND ALL ERRORS.</p> <p>THIS IS A COMPUTER GENERATED DRAWING DO NOT CHANGE THIS DOCUMENT WITHOUT UPDATING THE COMPUTER DATA BASE</p>				<p>TOLERANCES EXCEPT AS NOTED:</p> <p>±.016 ON DECIMALS ±.005 ON DECIMALS ±1/64 ON FRACTIONS ±.03 ON ANGLES ±.003 ON HOLES</p>		<p>SEE NOTES</p>		<p>2:1</p>	
CHECKED	BY MF	DATE	4DEC97	PART NUMBER		REV			
APPROVED				195D1322		E			