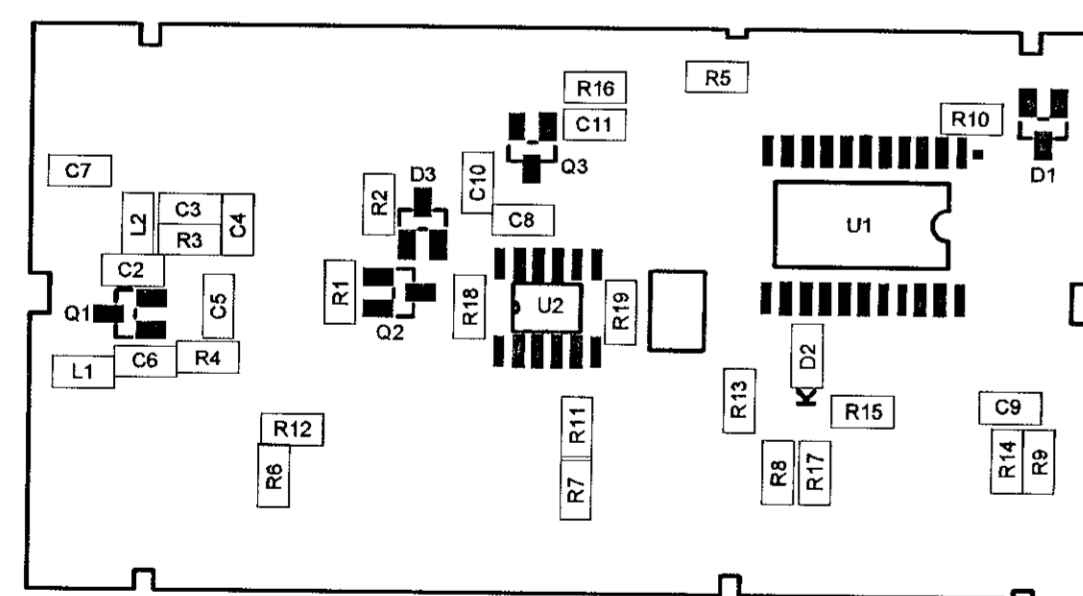
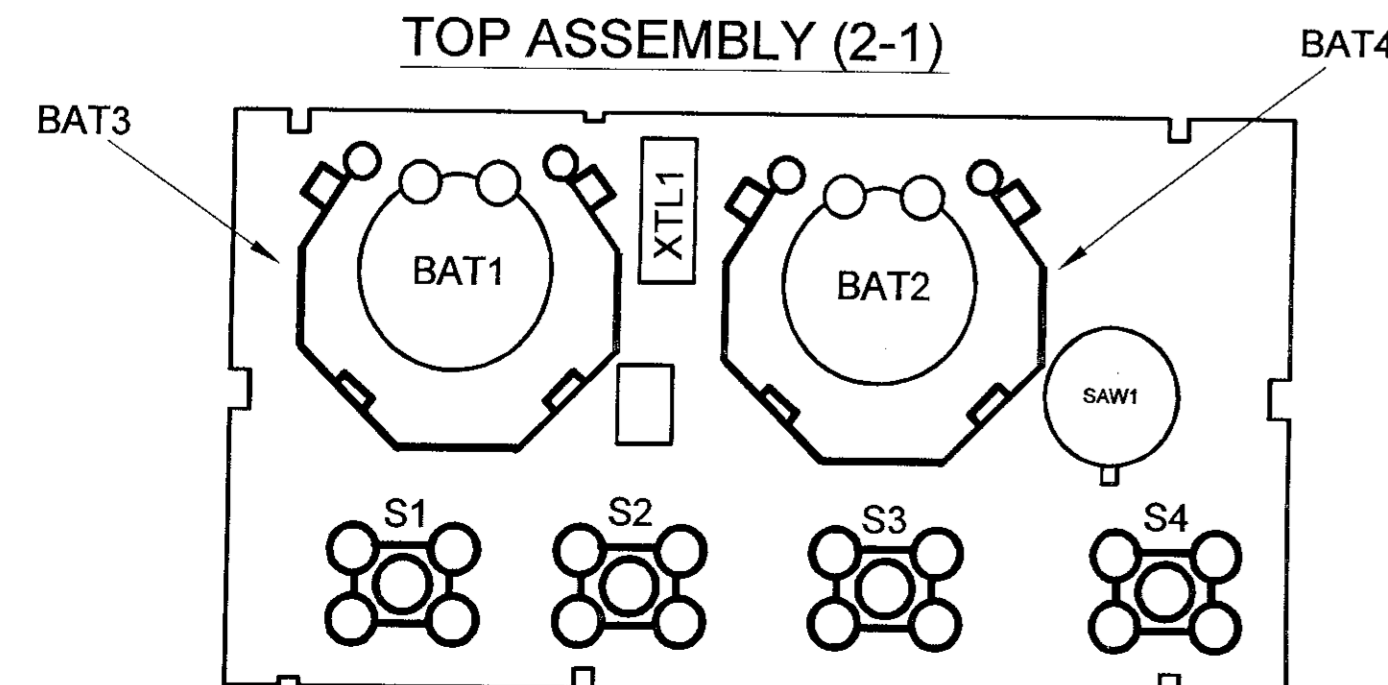


ITEM	PART #	DESCRIPTION	QTY
C2,C6	030D73000000	CAP SMD805 3PF NPO	2
C3	030D71010000	CAP SMD805 10PF NPO	1
C4	030D74720100	CAP SMD805 470 PF NPO	1
C5	030D71020100	CAP SMD 100PF NPO	1
C7	030D71500000	CAP SMD805 1.5pF	1
C8,C9,C10,C11	030D710422R0	CAP SMD .01UF X7R	4
D2	052B0114	LED, SMD0805	1
D3	052B0065	DIODE SIGNAL SMD MMBD	1
L1	040A0112	COIL 47NH	1
L2	040A0108	COIL SMD 18NH	1
Q1	207C0113	TRANSISTOR SMD NPN RF	1
Q2	207C0109	TRANSISTOR MMBTA56	1
Q3	207C0073	TRANSISTOR NPN SMD SW	1
R16,R1	311C1045	RES SMD0805 100K	2
R2,R6,R7,R8,R9	311C2235	RES SMD805 22K	5
R3	311C2715	RES SMD805 270 1/10W	1
R4	311C8235	RES SMD805 82K	1
R5,R14,R13,R12,R11,R18,R19,R17	311C1035	RES SMD805 10K	8
R15,R10	311C1025	RES SMD805 1.0K	2
U1	125C0255	IC 1 TO 6 CHANL RC TX	1
U2	125C0187	3V EEPROM	1
ITEM 1	014R0580	PCB 2/4 BTN 390MHZ SA	1
D1	052B0070	DUAL DIODE COMM CATH.	1
BAT3,BAT4	032C0133	BTM BAT CONTACT NEGAT	2
BAT1,BAT2	032D0134	TOP BAT CONTACT POSIT	2
SAW 1	033A0053	390MHZ SAW RESONATOR	1
XTL1	033B0039-3	RESONATOR	1
S1,S2,S3,S4	180B0120-2	SWITCH, MOMENTARY SPS	4

BOTTOM ASSEMBLY (2-1)



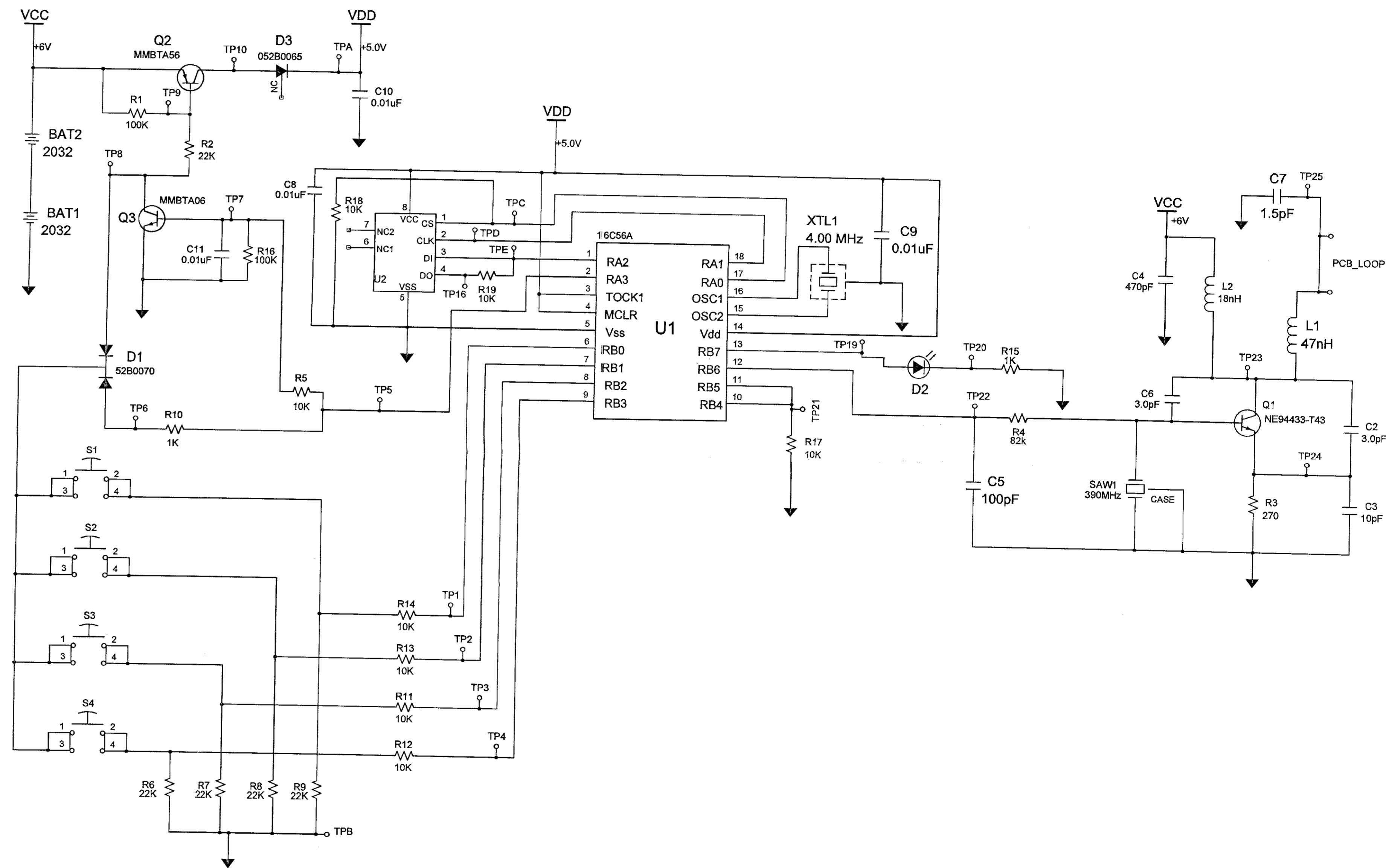
TOP ASSEMBLY (2-1)



NOTES

- ASSY NUMBER 001A5454-2
- UNLESS OTHERWISE NOTED:
 - CAPACITORS ARE IN MICROFARADS
 - RESISTORS ARE IN OHMS
- ALL LEADED COMPONENTS TO BE INSERTED WITHIN 0.020" OF BODY OR PREFORM LIMITS.
- LEAD CLIPPING SPEC. (WIRE LEADED PARTS ONLY) 0.050" MIN., 0.095 MAX.
- CLEANING OF ASSEMBLY WITH A CLEANING SOLVENT AFTER SOLDERING IS NOT PERMITTED.

SCHMATIC



LTR	DESCRIPTION	ECN #	DATE	APP
A	INITIAL RELEASE	01-0013	1/12/01	-
B	R3 = 270, R4=82K	01-xxxx	2/27/01	-

Model 984LM Transmitter

CONFIDENTIAL		UNLESS OTHERWISE SPECIFIED DIMENSIONS ARE IN INCHES		THE CHAMBERLAIN GROUP, INC.		LINK DOOR CONTROLS, INC.	
THIS DRAWING IS THE SOLE PROPERTY OF, AND IS PROPRIETARY TO, THE CHAMBERLAIN GROUP, INC. THIS DRAWING AND/OR INFORMATION SHALL BE KEPT CONFIDENTIAL, AND MAY NOT BE REPRODUCED, MODIFIED, DISCLOSED, OR MADE AVAILABLE TO OTHERS, WITHOUT THE EXPRESS WRITTEN CONSENT OF CHAMBERLAIN.		TOLERANCES: FRACTION ± 1/64 DECIMALS .XX ± .010 ANGULAR ± 30' .XXX ± .005		845 Larch Ave, Elmhurst, IL 60126		2111 Lakeland Ave, Ronkonkoma, NY 1177	
DRAWN BY: R. STUDY		DATE: 1/12/01		SM 4 BTN 390MHZ SAW T			
CHECKED BY:		APPROVED BY:		SIZE D	USED ON: G984LM	DWC. NO. 001A5454-4	
SEE NOTE		SEE NOTE		SCALE NONE	REL. DATE 2/27/01	SHEET 1 OF 1	REV B