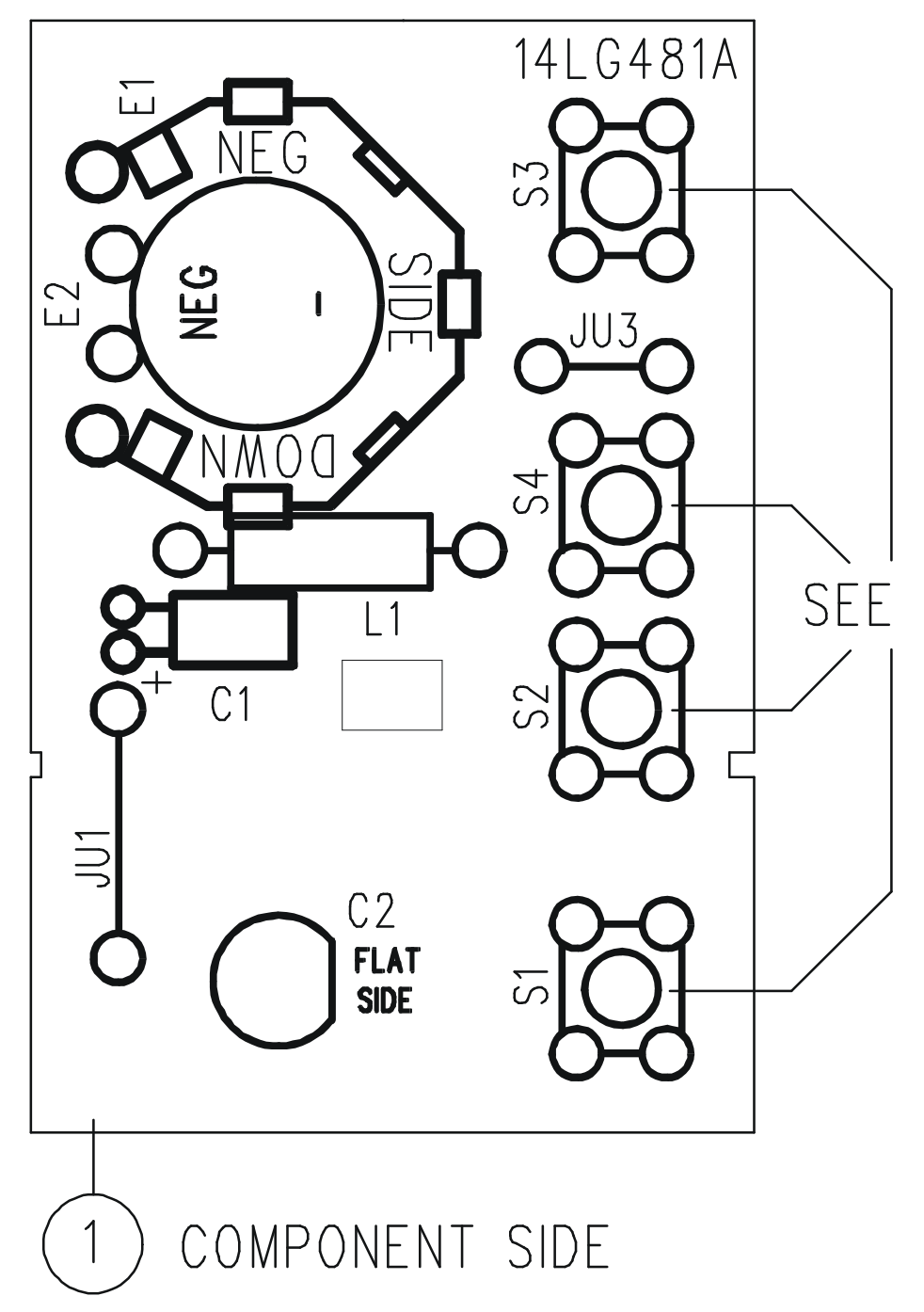
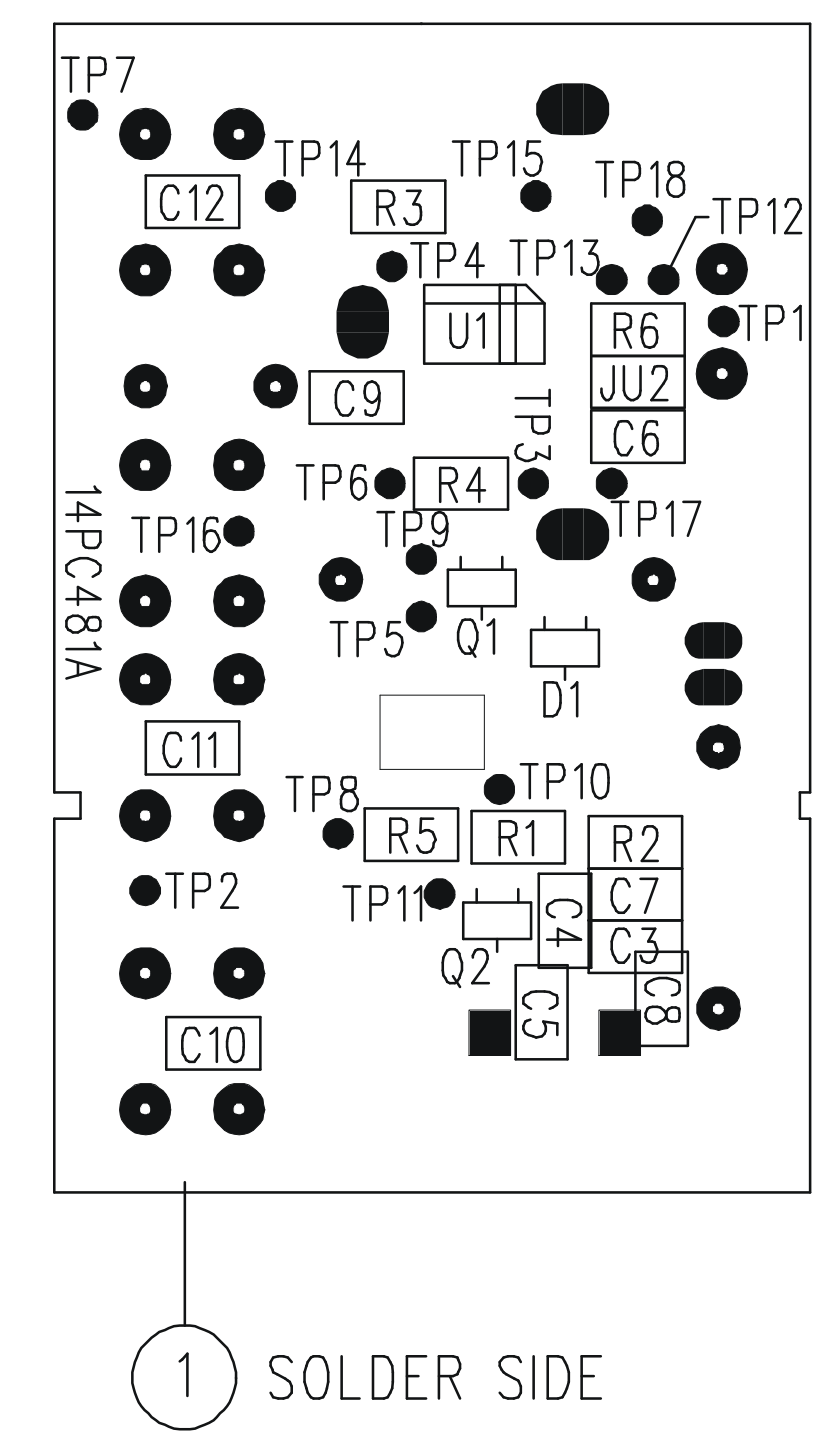
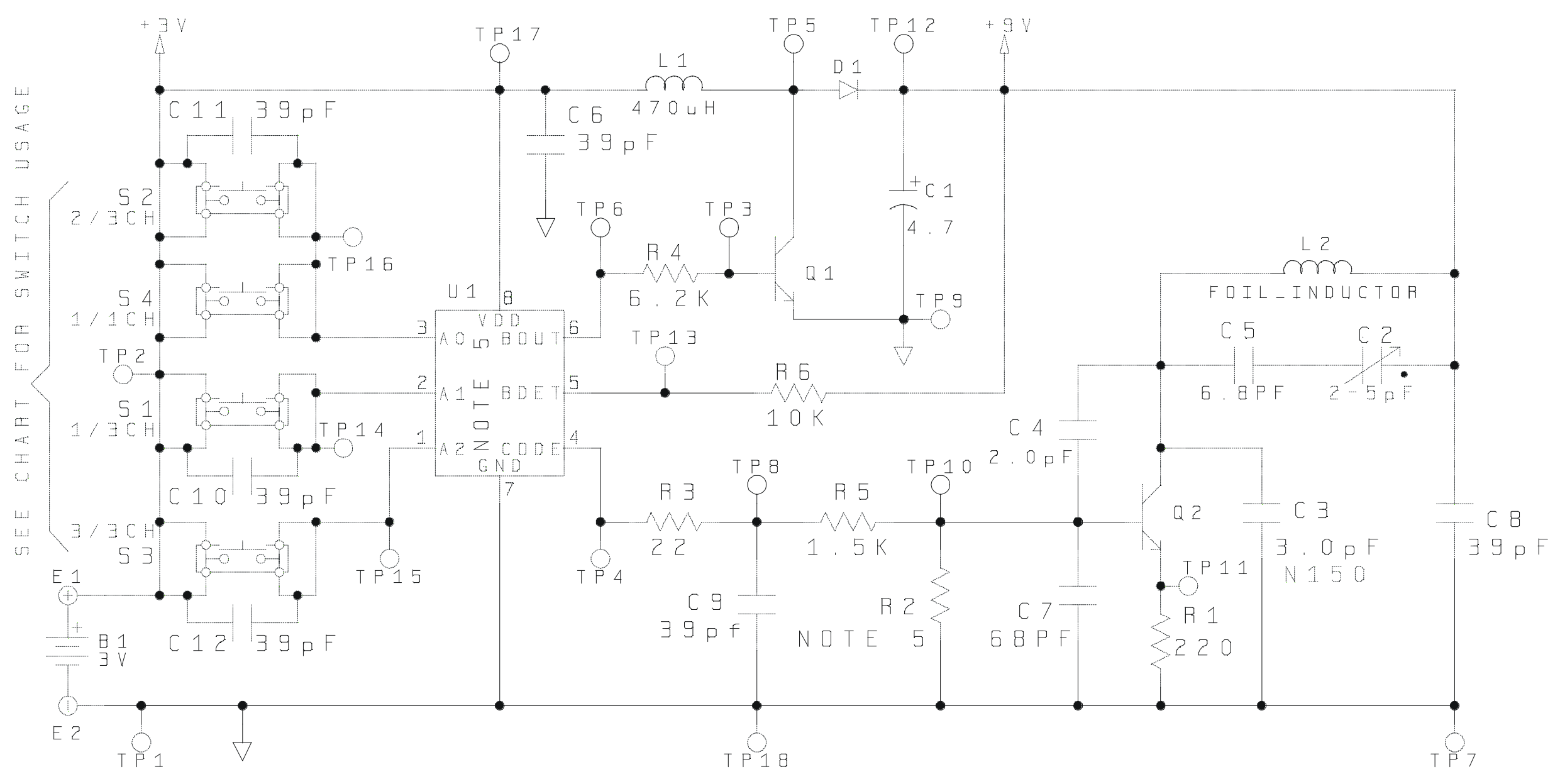


REF DES	PART NUMBER	DESCRIPTION	QTY
<b>CAPACITORS</b>			
C1	30B0477	CAP LYTIC 4.7UF 16V	1
C2	30B0431	CAP VARIABLE 1.8-5.0PF	1
C3	30D73000010	CAP SMD805 3.0PF N150	1
C4	30D72003000	CAP SMD805 2.0PF NPO	1
C5	30D76800000	CAP SMD805 6.8PF NPO	1
C6,C8,C9, C10,C11,C12	30D73910000	CAP SMD805 39PF NPO	6
C7	30D76810000	CAP SMD805 68PF NPO	1
<b>DIODES</b>			
D1	52B0065	DIODE SOT23	1
<b>INDUCTORS</b>			
L1	40B0092	INDUCTOR LEADED 470UH	1
<b>JUMPERS</b>			
JU1	217A0147	JUMPER LEADED 0.5"	1
JU2	311C0001	JUMPER SMD 0 OHMS	1
JU3	217A0147	JUMPER LEADED 0.25"	1
<b>TRANSISTORS</b>			
Q1	207C0073	XTOR SMD NPN SW	1
Q2	207C0074	XTOR SMD NPN RF	1
<b>RESISTORS</b>			
R1	311C2215	RES SMD805 220	1
R2	NOTE 5	RES SMD805	1
R3	311C2205	RES SMD805 22	1
R4	311C6225	RES SMD805 6.2K	1
R5	311C1525	RES SMD805 1.5K	1
R6	311C1035	RES SMD805 10K	1
<b>SWITCHES</b>			
S1 - S4	SEE NOTE 5	SW MOMENTARY SPST	
<b>IC</b>			
U1	NOTE 5	SOIC, ATMEL ENCODER	1
<b>BATTERY CONNECTORS</b>			
E2	32D0134	BATTERY CONTACT NEG	1
E1	32C0133	BATTERY CONTACT POS	1
B1	10A0020	BATTERY LITHUM 2032 3V	1
<b>ITEM 1</b>			
	14D0481	PCB 1/3 CH TX	1
	190A0460	PRODUCT SPECIFICATION	
	190A0461	FINAL TEST SPEC	
	195D1241	SCHEMATIC	

NOTES:  
 1. ALL LEADED COMPONENTS TO BE INSERTED TO WITHIN 0.020" OF BODY OR PREFORM LIMITS UNLESS OTHERWISE SPECIFIED.  
 2. LEAD CLIPPING SPEC: 0.050" MIN, 0.095 MAX.  
 3. CLEANING OF ASSEMBLY WITH A CLEANING SOLVENT AFTER SOLDERING IS NOT PERMITTED  
 4. TEST SPECIFICATION: 190A0460  
 5. COMPONENT USAGE CHART:

	001A5056-1	001A5056-3	001A5260	001A5261
R2	1ch RC 390MHz	3ch RC 390MHz	1ch BC 390MHz	3ch BC 390MHz
S1, S2, S3	NOT USED	180B0120-2	NOT USED	180B0120-2
S4	180B0120-2	NOT USED	180B0120-2	NOT USED
U1	125C0130	125C0130	125C0204	125C0204



PART NUMBER		195D1241		REV
ECH/DATE	BY	APP	REVISION	REV
L-083	JJ	JJ	RELEASE	A
5/12/97				
L-168	JJ	JJ	C3 was 30d73000020 3pf N220	B
8/15/97				
M-060	BW	BW	R1 was 311C4715, R2 was 311C5125, R5 was 311C2205, R6 was 311C1025 C5 was 30D75000000, C7 was 30D73910000.	C
3/19/98				
M-5773			E2 was 32C0134, S1 - S4 were 180B0120.	D
12/01/98				
N-5026	HOG	HOG	ADDED CHARTS FOR 001A5260 & 001A5261, ADDED CHART FOR R2 & U1 USAGE.	E
1/19/99				

**CHAMBERLAIN**  
 CONSUMER PRODUCTS GROUP  
 A UNIT OF DUCHOSSIS INDUSTRIES, INC.

NAME ASSEMBLY, BOARD, 1 & 3 CHANNEL  
 BILLION/ROLLING CODE TRANSMITTERS

**CONFIDENTIAL**  
 THIS DRAWING AND/OR THE INFORMATION CONTAINED HEREIN IS AND REMAINS THE SOLE PROPERTY OF, AND IS PROPRIETARY TO, THE CHAMBERLAIN GROUP, INC. (CHAMBERLAIN). THIS DRAWING AND/OR INFORMATION SHALL BE KEPT CONFIDENTIAL AND NOT BE REPRODUCED, COPIED, MODIFIED, DISCLOSED, TRANSMITTED OR MADE AVAILABLE TO OTHERS, EXCEPT WITH THE WRITTEN CONSENT OF CHAMBERLAIN. THIS DRAWING AND/OR ALL COPIES, IF ANY, ARE SUBJECT TO RETURN TO CHAMBERLAIN.  
 THIS IS A COMPUTER GENERATED DRAWING  
 DO NOT CHANGE THIS DOCUMENT WITHOUT  
 UPDATING THE COMPUTER DATA BASE

**DO NOT SCALE DRAWING**  
 TOLERANCE UNLESS OTHERWISE SPECIFIED  
 ±.010 .000 DECIMAL  
 ±.005 .000 DECIMAL  
 ±.004 ON FRACTIONS  
 ±.004 ON ANGLES  
 ±.003 ON HOLES  
 FINISH MATERIAL  
 DRAWN BY JJ DATE 1/25/99 SCALE PART NUMBER REV  
 THIS COPY ISSUED CHECKED APPROVED 195D1241 E