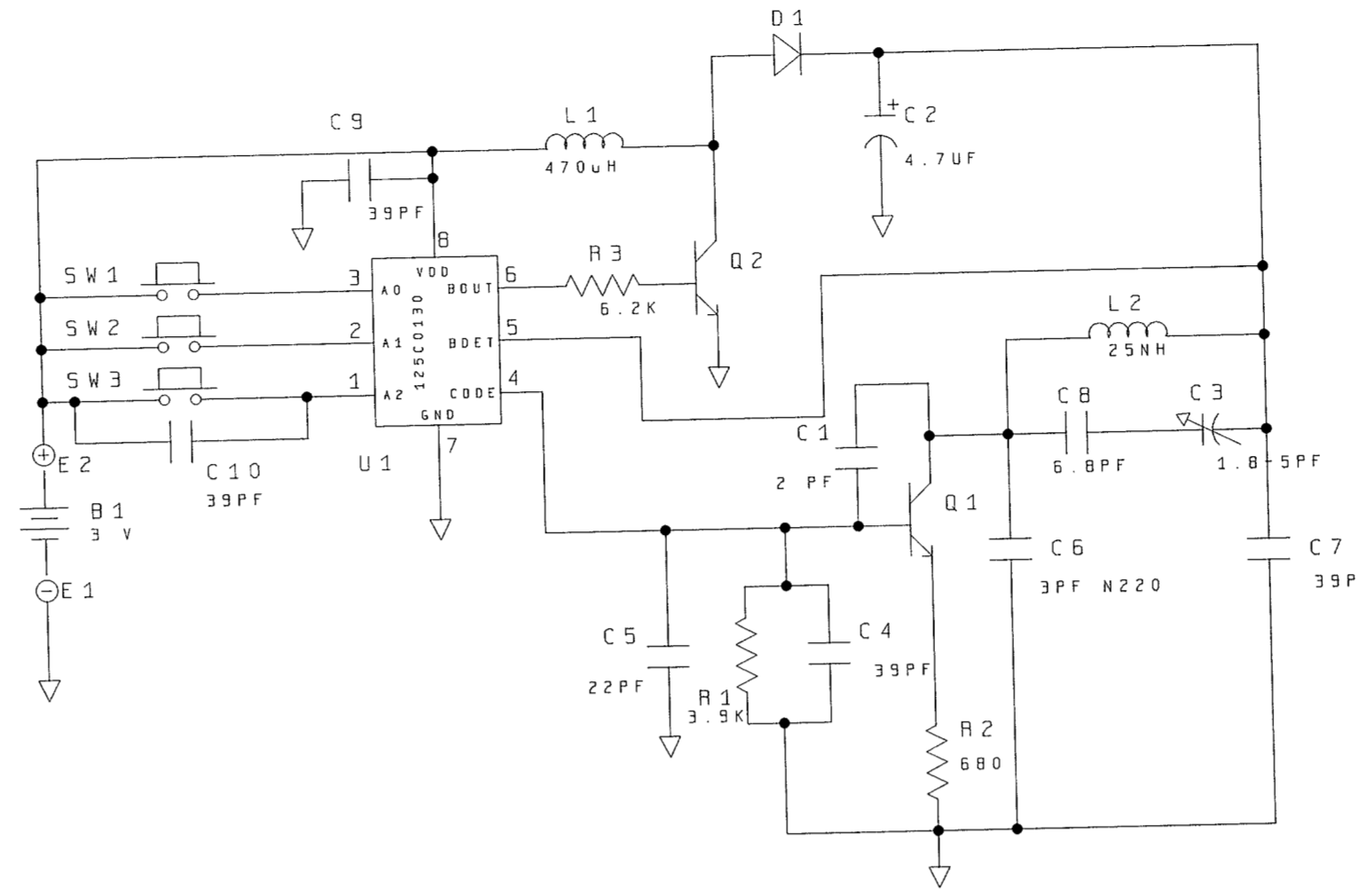
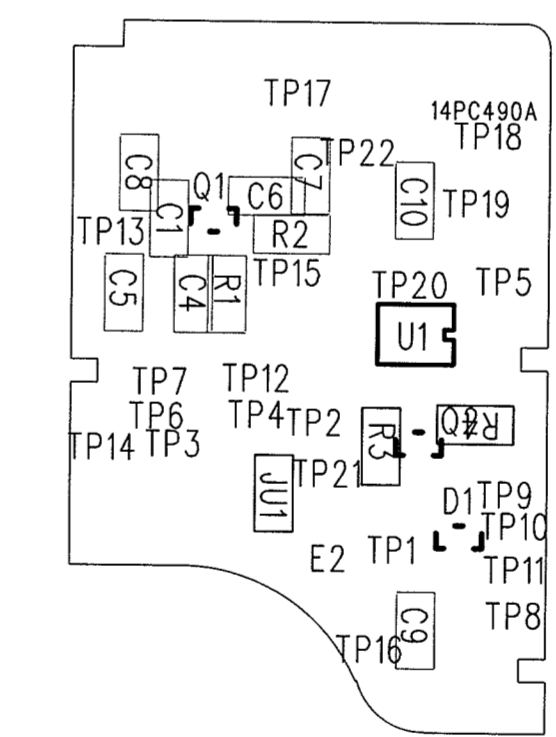
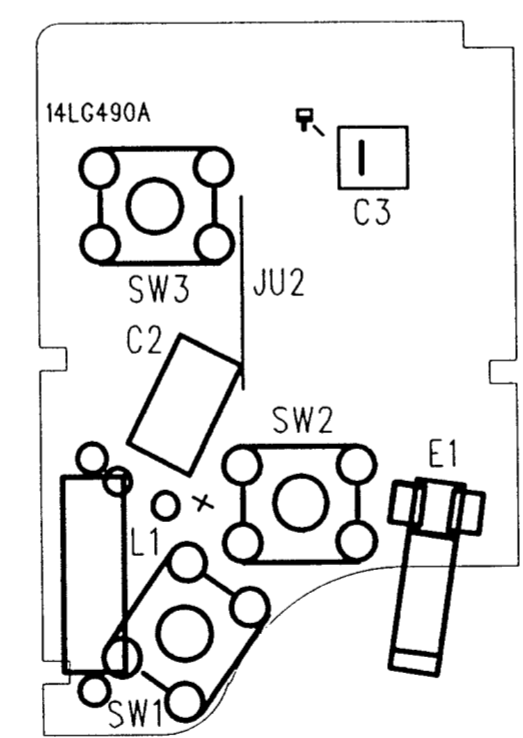


ITEM	PART NO.	DESCRIPTION	QTY
C1	SEE NOTE 9	SEE COMPONENT USAGE CHART	1
C2	030B0442	CAP. LYTIC 4.7UF 25V	1
C3	030B0464	CAP. RF TUNING 2-6PF	1
C4,C7,C9,C10	30D73910000	CAP SMD805 39PF NPO	4
C5	30D72210000	CAP SMD805 22PF NPO	1
C6	30D73000020	CAP SMD805 3.0PF N220	1
C8	30D76800000	CAP SMD805 6.8PF NPO	1
D1	52B0065	DIODE SMD SIGNAL	1
L1	40B0092	COIL 470UH	1
JU1	311C0001	JUMPER SMD805	1
JU2	304A0001-50	JUMPER .5 SPACING	1
Q1	207C0074	TRANSISTOR SMD NPN RF	1
Q2	207C0073	TRANSISTOR SMD NPN SW	1
R1	311C5125	RES. SMD805 5.1K 1/10W 5%	1
R2	SEE NOTE 9	SEE COMPONENT USAGE CHART	1
R3	311C6225	RES. SMD805 6.2K 1/10W 5%	1
SW1,SW2,SW3	180B0176	SWITCH HORZ MOMENTARY	3
U1	SEE NOTE 9	SEE COMPONENT USAGE CHART	1
E1	32B0128	BATTERY TERMINAL NEG	1
ITEM 1	14R0490	PCB 18UP ARRAY	0.0555

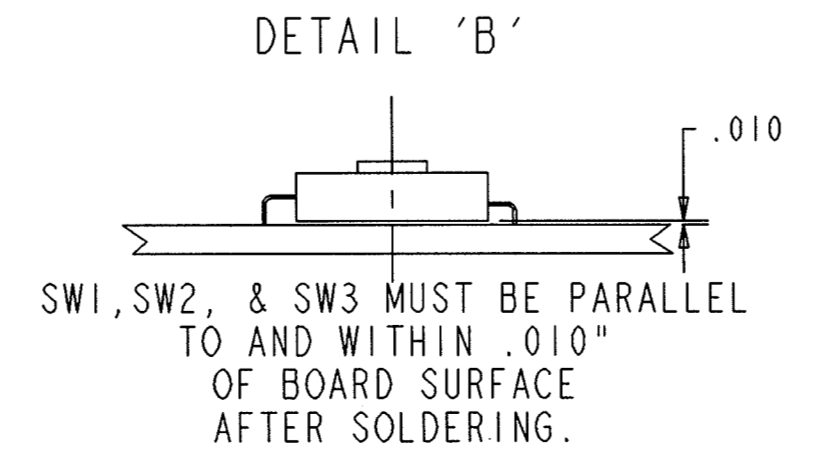
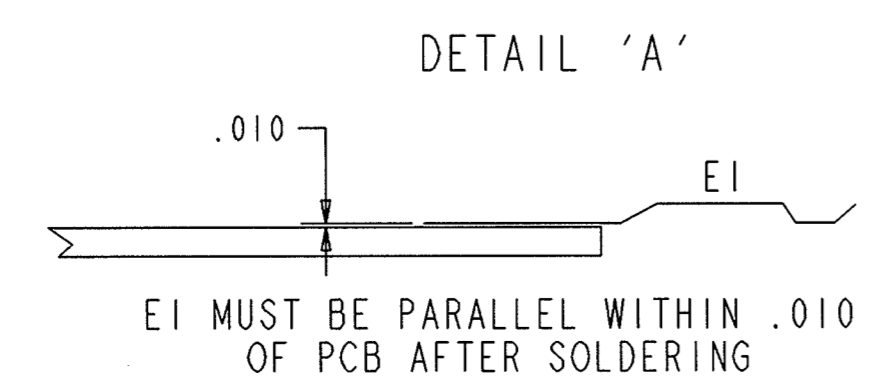
PART NUMBER: 195D1256			
REV/DATE	BY	APP	REVISION
L-004 1/31/97	LK	AM	RELEASE
L-5200 4-1-97	LK	AM	C2 WAS 030B0469
M-5716 11-25-98	AMS	JG	ADDED NOTE 9 FOR USAGE CHART; ADDED 001A5259 BC ASS'Y
N-5015	JG		CHANGES VALUE FOR R2 AND VALUE OF C1 FOR 1A5259. SEE TABLE
N-5174 3-26-99	AMS		CHANGED R2 FROM 390 TO 620 OHMS FOR 1A5259



- NOTES:
- UNLESS OTHERWISE NOTED:  
-CAPACITORS ARE IN PICOFARADS  
-RESISTORS ARE IN OHMS
  - TRANSMITTER ASSEMBLY NUMBER 1A5078
  - ALL LEADED COMPONENTS TO BE INSERTED TO WITHIN .020" OF BODY OR PREFORM LIMITS.
  - TEST SPEC. REFERENCE: 190A0454.
  - ALL FLUX USED IN SOLDER PROCESS MUST BE HALIDE-FREE.
  - LEAD CLIPPING SPEC. (WIRE LEADED PARTS ONLY) .050 MIN., .095 MAX.
  - CLEANING OF ASSEMBLY WITH A CLEANING SOLVENT AFTER SOLDERING IS NOT PERMITTED.
  - ALL ARRAY TABS MUST BE CUT FLUSH TO EDGE OF PCB, BUT NO MORE THAN .005" INTO BOARD.
  - COMPONENT USAGE CHART:



COMPONENT	1A5078 (ROLLING CODE)		1A5259 (BILLION CODE)	
	PART NO.	DESCRIPTION	PART NO.	DESCRIPTION
U1	125C0130	IC SMD ROLLING CODE ATMEL	125C0204	IC SMD BILLION CODE ATMEL
R2	311C6815	RES SMD805 680 1/10W 5%	311C6215	RES SMD805 620 1/10W 5%
C1	30D72003000	CAP SMD 805 2PF NPO	030D72703000	CAP SMD 805 2.7 PF NPO



CONFIDENTIAL

DO NOT SCALE DRAWING

THIRD ANGLE PROJECTION

CHAMBERLAIN CONSUMER PRODUCTS GROUP  
A UNIT OF DUCHOSSAIS INDUSTRIES, INC.

NAME: ASS'Y, 3 CHNL MINI TX CHANGE PLUS

PART NUMBER: 195D1256

REV: E

CHECKED: AM DATE: 2/17/97  
APPROVED: JF DATE: 2/18/97

SCALE: NONE

TOLERANCES EXCEPT AS NOTED:  
±.010 .00 DECIMAL  
±.005 .000 DECIMAL  
±1/64 ON FRACTIONS  
±30 ON ANGLES  
±.003 ON HOLES

THIS IS A COMPUTER GENERATED DRAWING  
DO NOT CHANGE THIS DOCUMENT WITHOUT  
UPDATING THE COMPUTER DATA BASE

THIS COPY ISSUED: