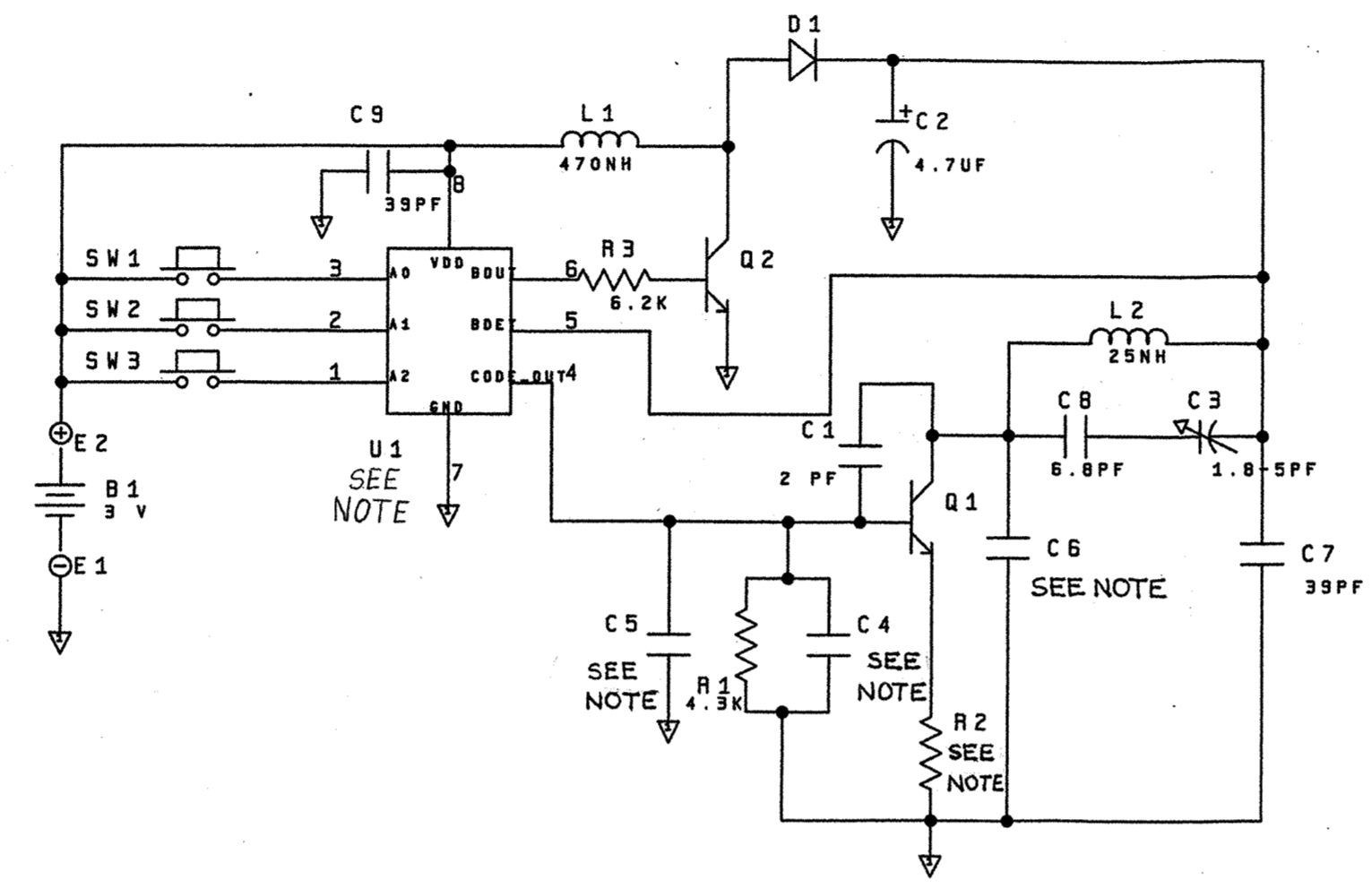


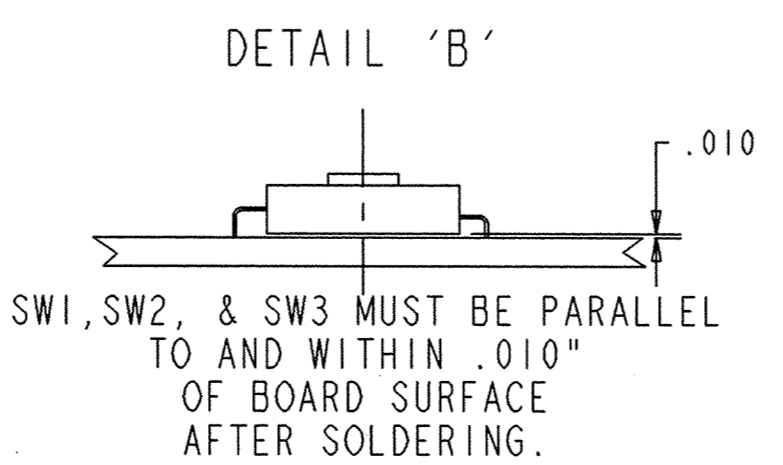
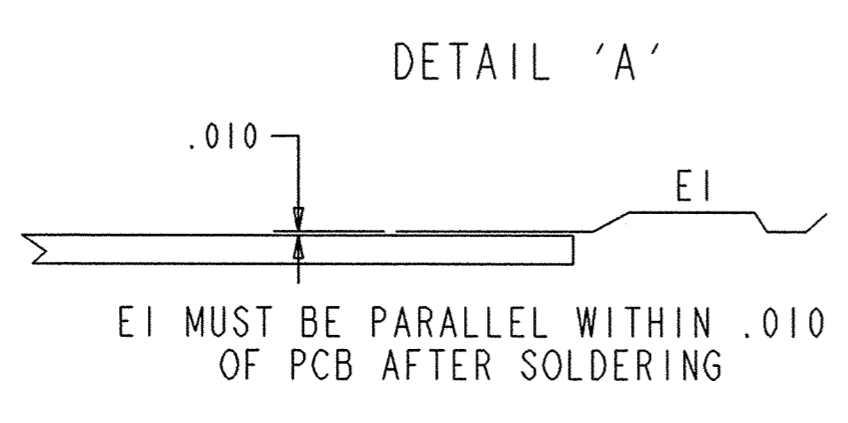
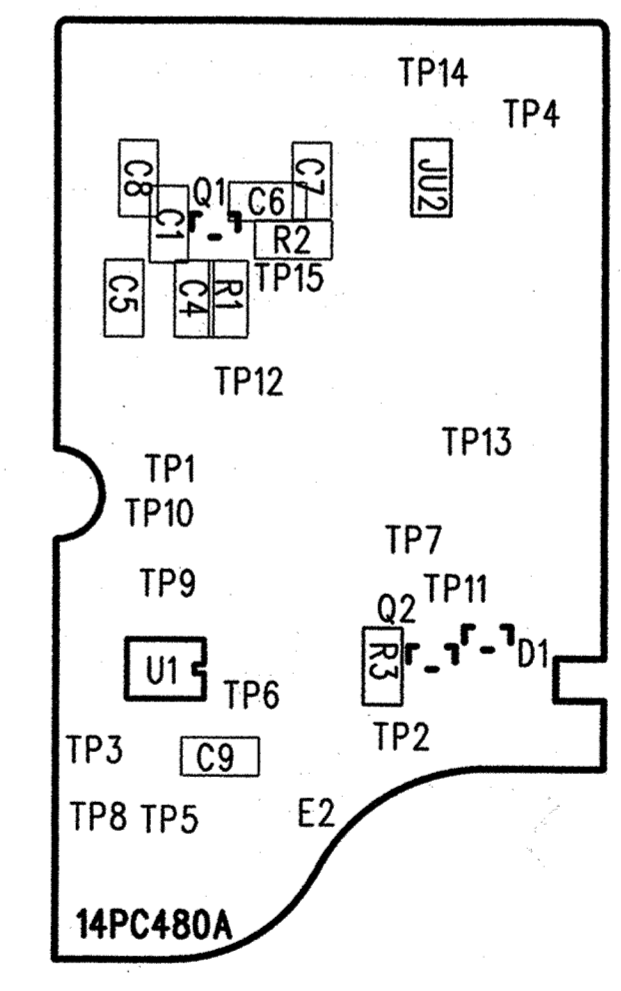
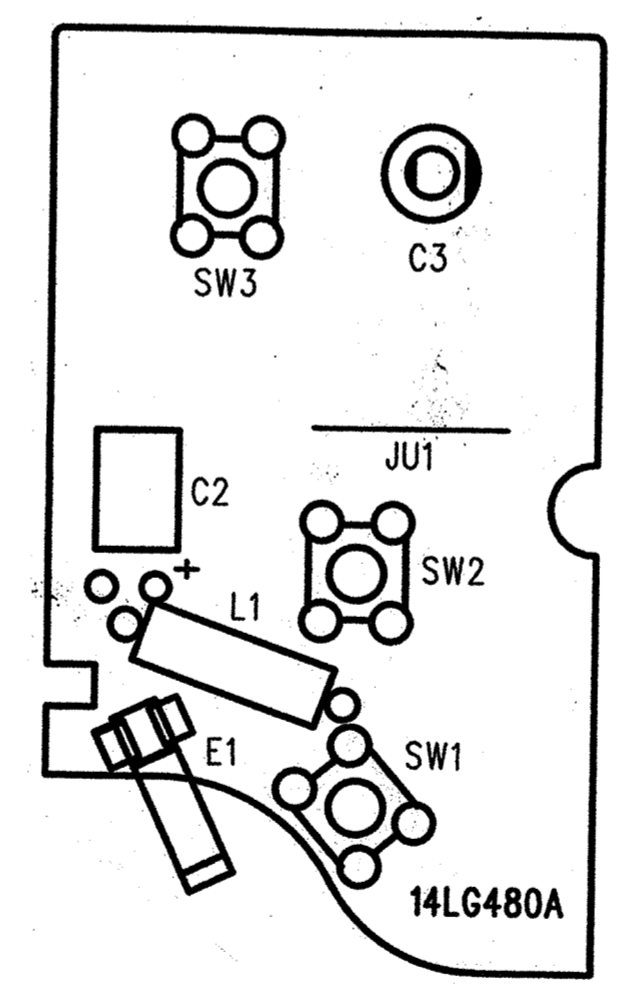
REF. NO.	PART NO.	DESCRIPTION	QTY
C1	30D72003000	CAP. SMD805 2PF NPO	1
C2	030B0442	CAP. LYTIC 4.7UF 25V	1
C3	030B0444	CAP. RF TUNING 1.8-5.0PF	1
C4	NOTE 8	CAP SMD 805	1
C5	NOTE 8	CAP SMD 805	1
C7,9	030D73910000	CAP. SMD805 39PF NPO	2
C6	NOTE 8	CAP. SMD805	1
C8	030D76800000	CAP. SMD805 6.8PF NPO	1
D1	52B0065	DIODE SMD SIGNAL	1
L1	040B0092	COIL 470UH	1
JU1	304A0001-50	JUMPERS .5 SPACING	1
JU2	311C0001	JUMPER SMD805	1
Q1	207C0074	TRANSISTOR SMD NPN RF	1
Q2	207C0073	TRANSISTOR SMD NPN SW	1
R1	311C4325	RES. SMD805 4.3K 1/10W 5%	1
R2	NOTE 8	RES. SMD805	1
R3	311C6225	RES. SMD805 6.2K 1/10W 5%	1
SW1, SW2, SW3	180B0120-2	SWITCH HORZ MOMENTARY	3
U1	SEE NOTE 8	IC SMD ATMEL	1
E1	032B0128	BATTERY TERMINAL NEG	1
ITEM1	014R0480	PCB 16UP ARRAY	0.0625



PART NUMBER:		195D1255			
REV	DATE	BY	APP	REV	DATE
1	1/31/97	LK	AM	A	
2	2/17/97	LK	AM	B	
3	2/18/97	JF	AM	C	
4	11/25/98	AMS		D	
5	1-21-99	AMS		E	

NOTES:
 1. UNLESS OTHERWISE NOTED:
 -CAPACITORS ARE IN PICOFARADS
 -RESISTORS ARE IN OHMS
 2. ALL LEADED COMPONENTS TO BE INSERTED TO WITHIN .020" OF BODY OR PREFORM LIMITS, EXCEPT SW1, SW2, & SW3 WHICH ARE TO BE WITHIN .010" (SEE DETAIL B).
 3. TEST SPEC. REFERENCES: 190A0454, 190A0523.
 4. ALL FLUX USED IN SOLDER PROCESS MUST BE HALIDE-FREE.
 5. LEAD CLIPPING SPEC. (WIRE LEADED PARTS ONLY) .050 MIN., .095 MAX.
 6. CLEANING OF ASSEMBLY WITH A CLEANING SOLVENT AFTER SOLDERING IS NOT PERMITTED.
 7. ALL ARRAY TABS MUST BE CUT FLUSH TO EDGE OF PCB, BUT NO MORE THAN .005" INTO BOARD.
 8. COMPONENT USAGE CHART:

		1A5076 (390 MHz)		1A5235-1 (433 MHz)		1A5247 (390 MHz)	
COMPONENT	PART NO.	DESCRIPTION	PART NO.	DESCRIPTION	PART NO.	DESCRIPTION	DESCRIPTION
C4	030D73910000	CAP SMD 39pF	030D72210000	CAP SMD 22pF	030D73910000	CAP SMD 39pF	CAP SMD 39pF
C5	030D73910000	CAP SMD 39pF	030D71210000	CAP SMD 12pF	030D73910000	CAP SMD 39pF	CAP SMD 39pF
C6	030D73000020	CAP SMD 3.0pF N220	030D71003040	CAP SMD 1.0pF N470	030D73000020	CAP SMD 3.0pF N220	CAP SMD 3.0pF N220
R2	311C9115	RES SMD 910 OHM	311C8215	RES SMD 820 OHM	311C9115	RES SMD 910 OHM	RES SMD 910 OHM
U1	125C0130	IC SMD ROLLING CODE ATMEL	125C0130	IC SMD ROLLING CODE ATMEL	125C0204	IC SMD BILLION CODE ATMEL	IC SMD BILLION CODE ATMEL



CHAMBERLAIN
 CONSUMER PRODUCTS GROUP
 A UNIT OF DICHROSCOPE INDUSTRIES, INC.

NAME: ASS'Y, 3 CHNL STD TX CHANGE PLUS ROLLING

DO NOT SCALE DRAWING

DATE	1/31/97	SCALE	NONE
CHECKED	AM	DATE	2/17/97
APPROVED	JF	DATE	2/18/97

PART NUMBER: 195D1255

CONFIDENTIAL
 THIS DRAWING AND/OR INFORMATION CONTAINED HEREIN IS AND REMAINS THE SOLE PROPERTY OF... AND IS PROPRIETARY TO THE CHAMBERLAIN GROUP...
 THIS IS A COMPUTER GENERATED DRAWING. DO NOT CHANGE THIS DOCUMENT WITHOUT UPDATING THE COMPUTER DATA BASE.
 THIS COPY ISSUED: