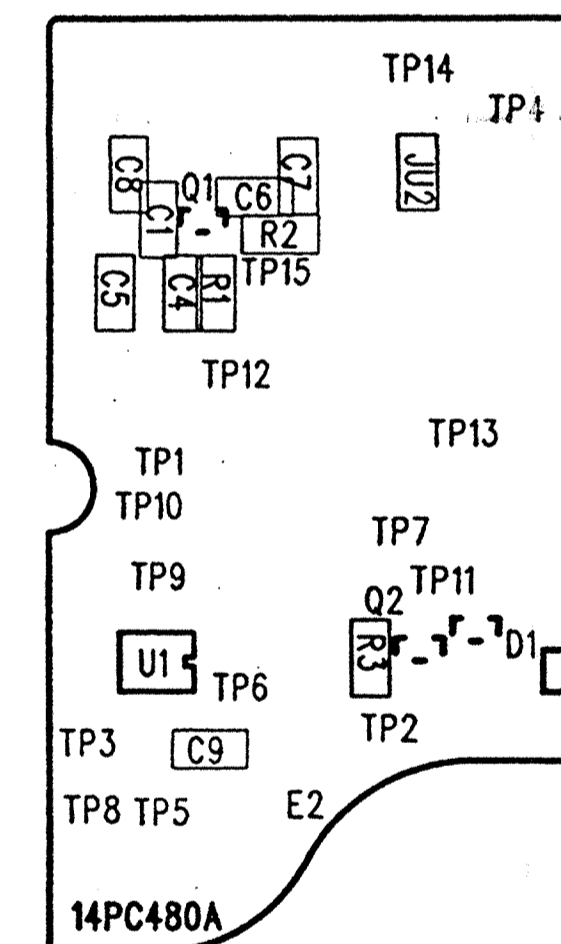
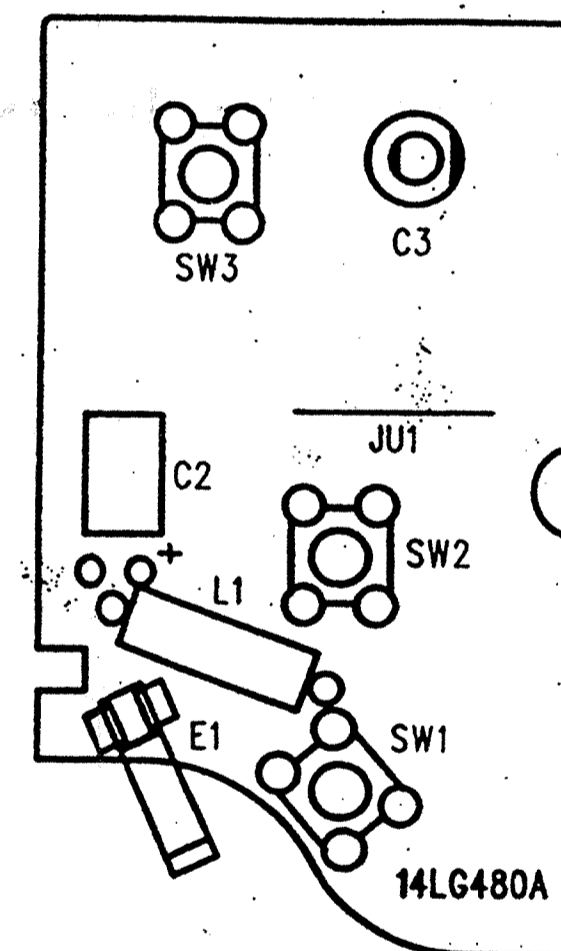
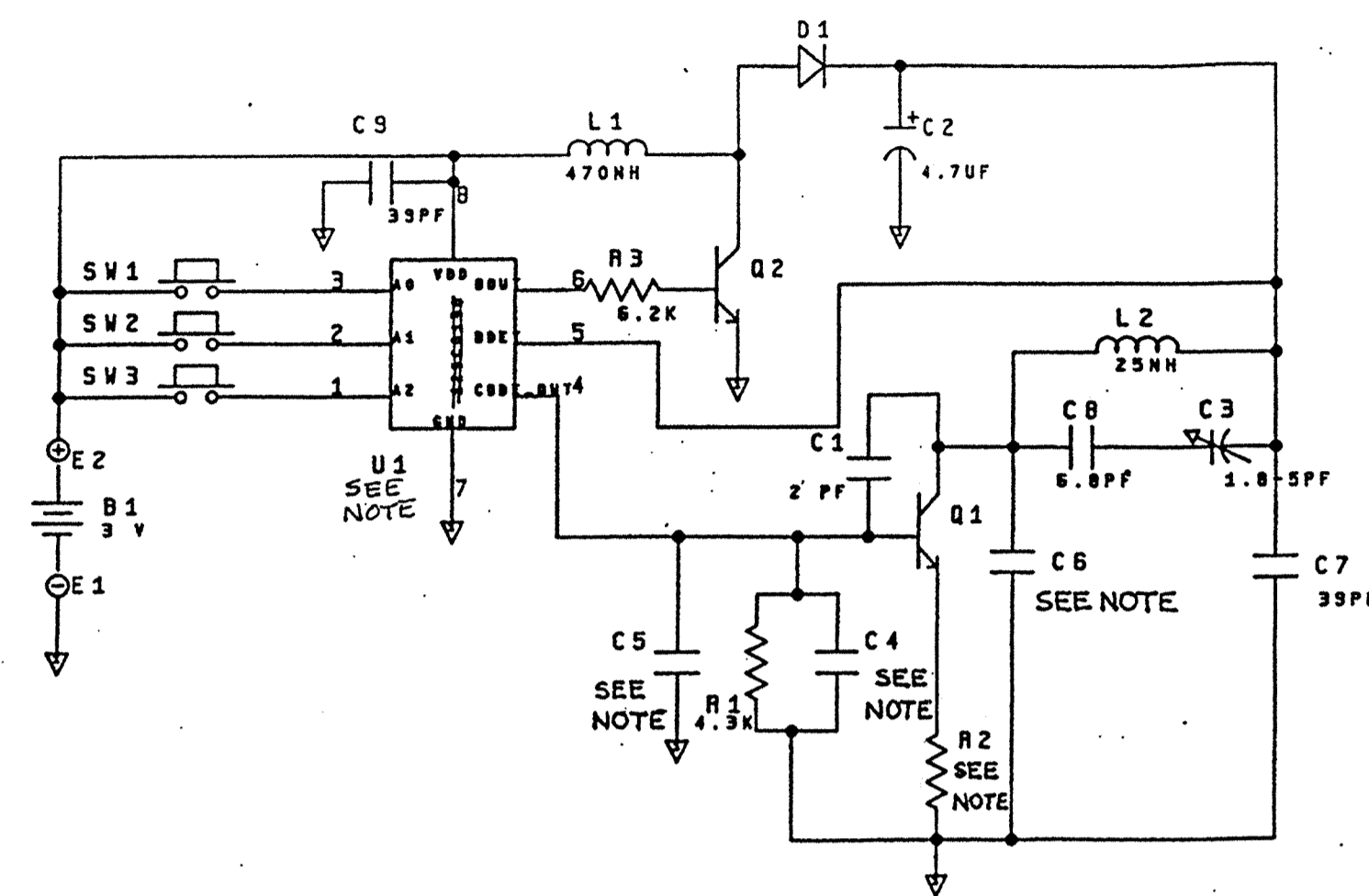
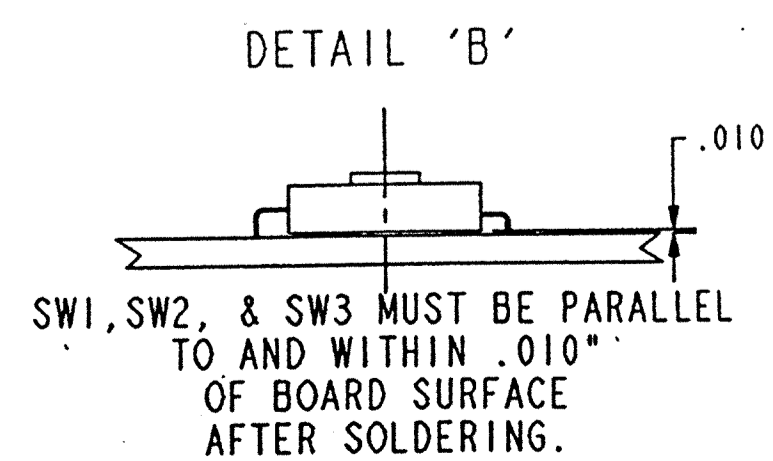
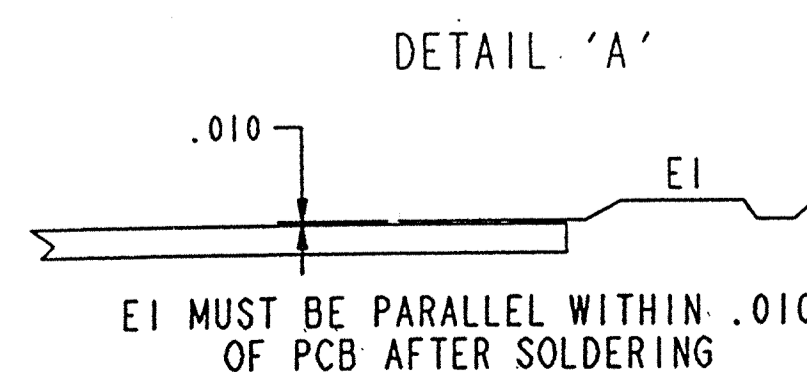


REF. NO.	PART NO.	DESCRIPTION	QTY
C1	30D72003000	CAP. SMD805 2PF NPO	1
C2	030B0442	CAP. LYTIC 4.7UF 25V	1
C3	030B0444	CAP. RF TUNING 1.8-5.0PF	1
C4	NOTE 8	CAP SMD 805	1
C5	NOTE 8	CAP SMD 805	1
C7,9	030D73910000	CAP. SMD805 39PF NPO	2
C6	NOTE 8	CAP. SMD805	1
C8	030D76800000	CAP. SMD805 6.8PF NPO	1
D1	52B0065	DIODE SMD SIGNAL	1
L1	040B0092	COIL 470UH	1
JU1	304A0001-50	JUMPER .5 SPACING	1
JU2	311C0001	JUMPER SMD805	1
Q1	207C0074	TRANSISTOR SMD NPN RF	1
Q2	207C0073	TRANSISTOR SMD NPN SW	1
R1	311C4325	RES. SMD805 4.3K 1/10W 5%	1
R2	NOTE 8	RES. SMD805	1
R3	311C6225	RES. SMD805 6.2K 1/10W 5%	1
SW1, SW2, SW3	180B0120-2	SWITCH HORZ MOMENTARY	3
U1	NOTE 8 125C0130	IC SMD ROLLING CODE ATMEL	1
E1	032B0128	BATTERY TERMINAL NEG	1
ITEM1	014R0480	PCB 16UP ARRAY	0.0625



- NOTES:
- UNLESS OTHERWISE NOTED:  
-CAPACITORS ARE IN PICOFARADS  
-RESISTORS ARE IN OHMS
  - ALL LEADED COMPONENTS TO BE INSERTED TO WITHIN .020" OF BODY OR PREFORM LIMITS, EXCEPT SW1, SW2, & SW3 WHICH ARE TO BE WITHIN .010" (SEE DETAIL B).
  - TEST SPEC. REFERENCES: 190A0454, 190A0523.
  - ALL FLUX USED IN SOLDER PROCESS MUST BE HALIDE-FREE.
  - LEAD CLIPPING SPEC. (WIRE LEADED PARTS ONLY) .050 MIN. . . .095 MAX.
  - CLEANING OF ASSEMBLY WITH A CLEANING SOLVENT AFTER SOLDERING IS NOT PERMITTED.
  - ALL ARRAY TABS MUST BE CUT FLUSH TO EDGE OF PCB, BUT NO MORE THAN .005" INTO BOARD.
  - COMPONENT USAGE CHART:

COMPONENT	1A5076 (390 MHz)		1A5235-1 (433 MHz)		1A5247 (390 MHz)	
	PART NO.	DESCRIPTION	PART NO.	DESCRIPTION	PART NO.	DESCRIPTION
C4	030D73910000	CAP SMD 39pF	030D72210000	CAP SMD 22pF	030D73910000	CAP SMD 39pF
C5	030D73910000	CAP SMD 39pF	030D71210000	CAP SMD 12pF	030D73910000	CAP SMD 39pF
C6	030D73000020	CAP SMD 3.0pF N220	030D71003040	CAP SMD 1.0pF N470	030D73000020	CAP SMD 3.0pF N220
R2	311C9115	RES SMD 910 OHM	311C8215	RES SMD 820 OHM	311C1125	RES SMD 11K OHM
U1	125C0130	IC SMD ROLLING CODE ATMEL	125C0130	IC SMD ROLLING CODE ATMEL	125C0204	IC SMD BILLION CODE ATMEL



REV/DATE	BY	APP	REVISION	REV
1-283 1/31/97	LK	AM	RELEASE	A
1-559 10/24/97	LK	RA	C2 WAS 030B0469 AND SW1,2,3 WERE 180B0120	B
M-128A 14 JUL 98	MF		ADDED NOTE 8	C
M-5076 3/20/98	HOG		ADDED 001A5247 TO NOTE B. DELETE U1 IN SCHEMATIC AND ADDED *SEE NOTE*.	D

CONFIDENTIAL				TOLERANCES EXCEPT AS NOTED:			
THIS DRAWING AND/OR INFORMATION CONTAINED HEREIN IS AND REMAINS THE PROPERTY OF CHAMBERLAIN CONSUMER PRODUCTS GROUP. IT IS TO BE KEPT CONFIDENTIAL AND NOT TO BE REPRODUCED, COPIED, EITHER WHOLLY OR IN PART, OR TRANSMITTED IN ANY MANNER WITHOUT THE WRITTEN PERMISSION OF CHAMBERLAIN CONSUMER PRODUCTS GROUP. IT IS TO BE RETURNED TO CHAMBERLAIN CONSUMER PRODUCTS GROUP UPON REQUEST.				±.010	±.000	±.000	±.000
				±.005	±.005	±.005	±.005
THIS IS A COMPUTER GENERATED DRAWING DO NOT CHANGE THIS DOCUMENT WITHOUT UPDATING THE COMPUTER DATA BASE				±.010	±.000	±.000	±.000
THIS COPY ISSUED:				±.010	±.000	±.000	±.000
CHECKED	AM	DATE	2/17/97	±.010	±.000	±.000	±.000
APPROVED	JF	DATE	2/18/97	±.010	±.000	±.000	±.000
DO NOT SCALE DRAWING				±.010	±.000	±.000	±.000
DRAWN BY LAK				±.010	±.000	±.000	±.000
SCALE				±.010	±.000	±.000	±.000
PART NUMBER				±.010	±.000	±.000	±.000
REV				±.010	±.000	±.000	±.000
NONE				±.010	±.000	±.000	±.000
195D1255				±.010	±.000	±.000	±.000

**CHAMBERLAIN**  
CONSUMER PRODUCTS GROUP  
A UNIT OF DUCOSSOIS INDUSTRIES, INC.

NAME  
ASS'Y, 3 CHNL STD TX  
CHANGE PLUS ROLLING

