

### OVERVIEW

The Wireless Commercial Keypad comes with one 9V Lithium battery, instructions, and two keys. A wireless signal is transmitted when a valid 4-digit PIN and the # key is pressed. A long tone will sound. The keypad backlight will illuminate for 15 seconds when any key is pressed. If an invalid PIN or partial PIN is accidentally entered, an error tone will sound. The Wireless Commercial Keypad is compatible with the brands of commercial door and gate operators listed in the table below.

MODEL	FREQUENCY AND ENCRYPTION	PIN CAPACITY
<b>KPW5</b>	LiftMaster Security+ 2.0™ <i>Default</i> Tri-band 390 MHz, 315 MHz, and 310 MHz	Up to 5 permanent PINs and Up to 10 unique temporary PINs
<b>KPW250</b>	LiftMaster Security+ 2.0™ <i>Default</i> Tri-band 390 MHz, 315 MHz, and 310 MHz	Up to 250 permanent PINs and Up to 10 unique temporary PINs
	LiftMaster Security+® 315 MHz	
	LiftMaster Security+® 390 MHz	
	Linear Multi-Code 300 MHz	



**KPW5**



**KPW250**

### Specifications

Power .....9V lithium battery  
 Operating temperature range .....-40°F to 140°F (-40°C to +60°C)  
 Storage and shipping temperature range .....-40°F to 140°F (-40°C to +60°C)  
 Enclosure .....NEMA 3R

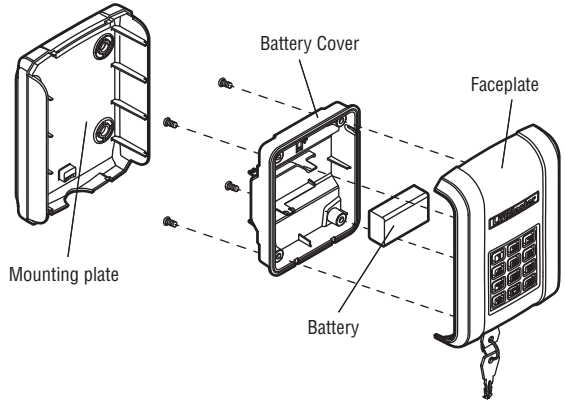
# INSTALLATION

## **WARNING**

To prevent possible **SERIOUS INJURY** or **DEATH** from a moving gate or door:

- ALWAYS keep remote controls out of reach of children. NEVER permit children to operate or play with remote controls.
- Activate gate or door **ONLY** when it can be seen clearly, is properly adjusted, and there are no obstructions to door travel.
- ALWAYS keep gate or door in sight until completely closed. NEVER permit anyone to cross path of moving gate or door.

1. Choose a mounting location suitable for your application such as a wall, flat surface, or a pedestal with a 3" x 3" mounting pattern (LiftMaster gooseneck pedestal post models PED42 or PED64).
2. Unlock and remove the faceplate from the mounting plate.
3. Mount the mounting plate to the desired surface and secure with 1/4" screws or bolts (not provided).
4. Remove the battery cover using a Phillips screw driver. Install the battery (provided) and re-install inner cover.
5. Reattach the faceplate to the mounting plate and lock with the key.



# BASIC PROGRAMMING

The Wireless Commercial Keypad must be put into programming mode prior to any of the programming steps below unless otherwise indicated. The keypad backlight will remain on if the product is in programming mode. While in programming mode, if an invalid code is entered, an error tone will sound, but the keypad will remain in programming mode. After 60 seconds of inactivity, the keypad will exit the programming mode. The 6-digit Master Code is used to prevent unauthorized access to the system. A Master Code is required (factory default code: 888888) to operate the Wireless Commercial Keypad. It is highly recommended to change and record your unique Master Code.

## Set Master Code

Programming Step	Keystroke Combination	Indicator
1. Enter program mode	* (Master Code) #	Long tone
2. Update Master Code	09 # (New 6-digit Code) # (New 6-digit Code) #	Long tone
3. Exit Program Mode	* * #	Keypad backlight will turn off

## Program a PIN

Programming Step	Keystroke Combination	Indicator
1. Enter program mode	* (Master Code) #	Long tone
2. Set new pin	01 # (New 4-digit PIN) # (new 4-digit PIN) #	Long tone
3. Exit Program Mode	* * #	Keypad backlight will turn off

**NOTE:** An error tone will sound if the maximum number of PINs is exceeded or if user tries to program a PIN already programmed in the memory.

# PROGRAM TO OPERATOR

## LiftMaster

**NOTE:** The Master Code and a PIN need to be set before the gate operator can be programmed. See Basic Programming, page 2.

**KPW5** - The frequency and encryption are set at the factory. Proceed to Step 4.

**KPW250** - The frequency and encryption are set at the factory for **LiftMaster Security+ 2.0** (tri-band 310, 315, and 390 MHz) operators. Proceed to Step 4.

For **LiftMaster Security+** (315 MHz or 390 MHz), the frequency and encryption need to be set. Proceed to Step 1.

1. Enter program mode: \* **(Master Code)** #
2. Set frequency and encryption (KPW250 only):
  - LiftMaster Security+ 315 MHz - Press **03 # 2 #**. A long tone will sound.
  - LiftMaster Security+ 390 MHz - Press **03 # 3 #**. A long tone will sound.
  - To reset factory default - Press **03 # 1 #**. A long tone will sound.
3. Exit Program Mode: \* \* #.
4. Press the Learn Button on the operator.
5. *Within 30 seconds*- Enter a valid **4-digit PIN** then press #. A long tone will sound.

## Linear Multi-Code

### KPW250 ONLY

1. Locate the DIP switch sequence on the operator and record it. If DIP switch is in the “up” or “on” (CLOSED) position place a 1, “down” or “off” (OPEN) position place a 0 in the corresponding box in the chart below.

**NOTE:** Leave any unused switch locations blank.

DIP Switch Sequence	1	2	3	4	5	6	7	8	9	10
UP / ON (CLOSED)										
DOWN / OFF (OPEN)										

Write the DIP switch 10-digit sequence: \_\_\_\_\_

2. Enter program mode: \* **(Master Code)** #. A long tone will sound.
3. Set Linear Multi-Code frequency and encryption: Press **03 # 4 #**. A long tone will sound.
4. Enter the DIP Switch sequence (Use ONLY **1** and **0**). Press #. A long tone will sound.
3. Exit Program Mode: \* \* #.

**NOTE:** When entering the DIP Switch sequence 3 beeps will sound if an incorrect number of entries is input.

Once an operator has been programmed, enter a valid 4-digit PIN and the # key to activate the operator.

## ADDITIONAL PROGRAMMING

The Wireless Commercial Keypad must be put into programming mode prior to any of the programming steps below unless otherwise indicated.

### Set Temporary PIN

A temporary 4-digit PIN can be programmed to allow access to visitors (maximum of 9 uses). The temporary PIN cannot be the same as any previously programmed PIN. The keypad will store up to 10 unique temporary PINs.

Programming Step	Keystroke Combination	Indicator
1. Enter program mode	* (Master Code) #	Long tone
2. Set Temporary PIN	05 # (New temporary 4-digit PIN) # (New temporary 4-digit PIN) # Number of uses (9 maximum) #	Long tone
3. Exit Program Mode	* * #	Keypad backlight will turn off

### Delete Permanent and Temporary PIN

Programming Step	Keystroke Combination	Indicator
1. Enter program mode	* (Master Code) #	Long tone
2. Delete PIN	07 # (4-digit PIN to be deleted) # (4-digit PIN to be deleted) #	Long tone
3. Exit Program Mode	* * #	Keypad backlight will turn off

### Reset Master Code

Resetting the Master Code will not remove PINs or temporary PINs from memory and will not change the frequency and encryption type. After resetting the Master Code, the keypad will not operate any previously programmed operators until they are reprogrammed. To reset the Master Code to the factory default (888888):

1. Unlock and remove the faceplate.
2. Press and hold the RESET button on the control board for 6 seconds, a long tone sounds indicating the Master Code has been reset.

### Reset Keypad

Resetting the keypad will erase the Master Code, all permanent PINs, all temporary PINs, and frequency and encryption settings. All settings will be set to factory default. After resetting, the keypad will not operate the previously programmed operators until they are reprogrammed. To reset the keypad:

1. Unlock and remove the faceplate.
2. Press and hold RESET button on the control board for 6 seconds until a long tone sounds then release.
3. Press and hold RESET button on the control board for 15 seconds, 3 long tones will sound indicating the keypad has been reset.

### Lockout Mode (Default is ON)

If the keypad receives five consecutive invalid PINs, the keypad will enter lockout mode and will not accept any keypad inputs for 30 seconds. After 30 seconds, the keypad will begin accepting new inputs.

Programming Step	Keystroke Combination	Indicator
1. Enter program mode	* (Master Code) #	Long tone
2. Set Lockout mode to <b>ON</b> :	02 # 1 #	Long tone
3. Exit Program Mode	* * #	Keypad backlight will turn off

Programming Step	Keystroke Combination	Indicator
1. Enter program mode	* (Master Code) #	Long tone
2. Set Lockout mode to <b>OFF</b> :	02 # 0 #	Long tone
3. Exit Program Mode	* * #	Keypad backlight will turn off

# BATTERY

## WARNING

To prevent possible SERIOUS INJURY or DEATH:

- NEVER allow small children near batteries.
- If battery is swallowed, immediately notify doctor.

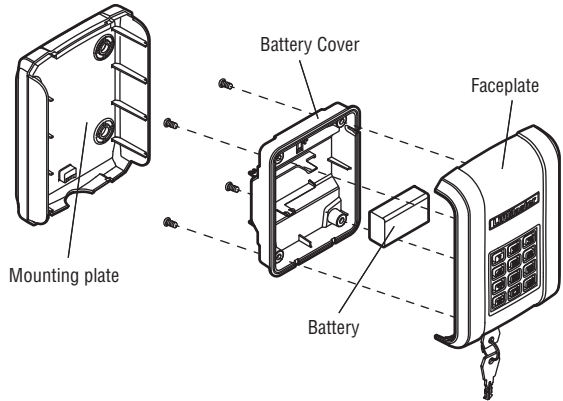
To reduce risk of fire, explosion or chemical burn:

- Replace ONLY with 9V Lithium battery.
- DO NOT recharge, disassemble, heat above 212° F (100° C) or incinerate.

The 9V Lithium battery should produce power for up to 5 years.

To replace the battery:

1. Unlock and remove the faceplate from the mounting plate.
2. Remove the battery cover using a Phillips screw driver.
3. Remove the old battery and install new 9V Lithium battery. Re-install inner cover.
4. Reattach the faceplate to the mounting plate and lock with the key.
5. Dispose of old battery properly.



## TROUBLESHOOTING

**Symptom:** The keypad will not program to the operator.

**Cause:** The keypad is programmed to the wrong frequency and encryption.

**Solution:** Program the keypad to match the operator's frequency and encryption (see page 3).

**Symptom:** The backlight and tone on the keypad no longer work.

**Cause:** Battery may be dead.

**Solution:** Replace battery with 9V Lithium battery.

## ONE YEAR LIMITED WARRANTY

LiftMaster warrants to the first consumer purchaser of this product that it is free from defect in materials and/or workmanship for a period of 1 year from the date of purchase.

NOTICE: To comply with FCC and or Industry Canada rules (IC), adjustment or modifications of this receiver and/or transmitter are prohibited, except for changing the code setting or replacing the battery. THERE ARE NO OTHER USER SERVICEABLE PARTS.

Tested to Comply with FCC Standards FOR HOME OR OFFICE USE. Operation is subject to the following two conditions: (1) this device may not cause harmful interference, and (2) this device must accept any interference received, including interference that may cause undesired operation.

LiftMaster.com

1-800-528-2806

REVIEW COPY