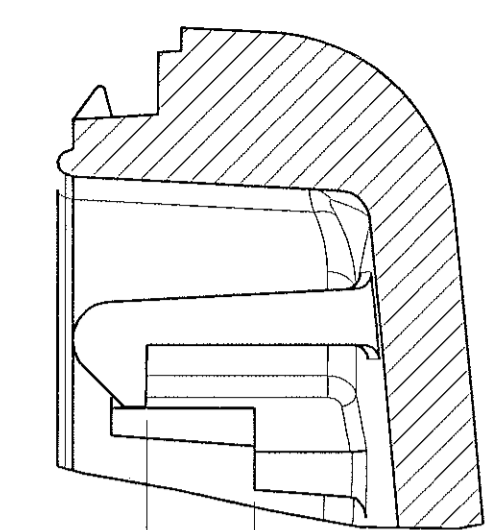


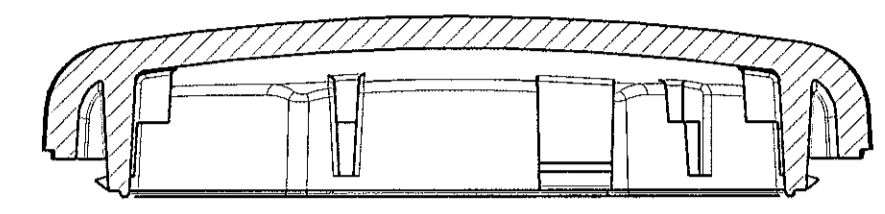
NOTES:

1. MATERIAL: G.E. CYCOLOY (POLYCARBONATE & ABS) GRADE 1200, SYMBOL >PC+ABS<.
2. COLOR: SEE TABLE
3. SEE CHAMBERLAIN STANDARD PRODUCT SPEC. 190A0280 FOR GENERAL TOOLING AND PROCESSING. SECTIONS 1.2 AND 1.3 DO NOT APPLY, REFER TO DATABASE.
4. ANGULAR DIMENSIONS ARE $\pm 1^\circ$ UNLESS SPECIFIED ON THIS DRAWING.
5. CRITICAL DIMENSIONS ARE MARKED WITH AN ASTERISK (*).
6. PART NO., MATERIAL I.D., ISSUE LETTER TO BE MOLDED IN 1/32 TO 1/8 INCH HIGH CHARACTERS RAISED .010 INCH ABOVE THE SURFACE. VERSION NO. AND DATE CODE (MONTH AND YEAR) TO BE MOLDED IN LOCATIONS AS SHOWN. LETTERS MUST BE LEGIBLE.
7. TEXTURE EXTERIOR SURFACES PER MOLD-TECH MT-11030 EXCEPT WHERE INDICATED OTHERWISE.
8. SURFACES WITH NO SPECIFIED FINISH TO BE IN THE RANGE OF SPI-SPE NO.2 - NO.3.
9. GATE VESTIGE TO BE +.035 MAX. OR BELOW SURFACE.
10. REMOVE THE CANADA I.D. BLOCK FOR PART NO. 093D0207-4 & NO. 093D0207-5.
11. PART NUMBER AND PRODUCT LINE CHART IS LOCATED ON SHEET 2 OF 2.

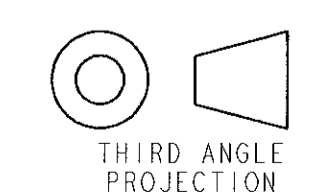
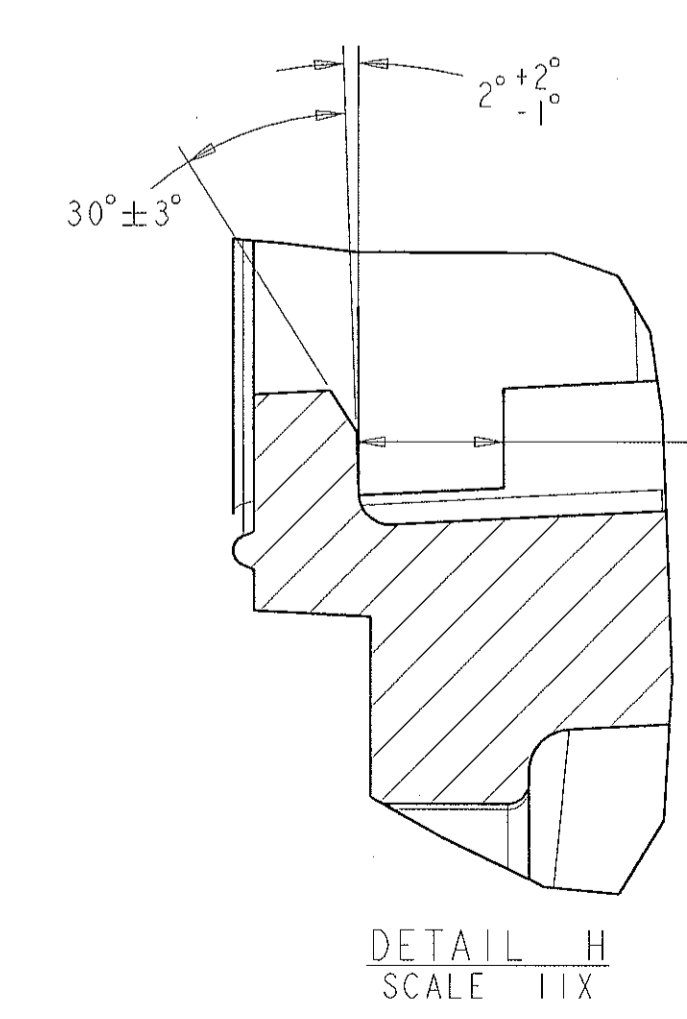
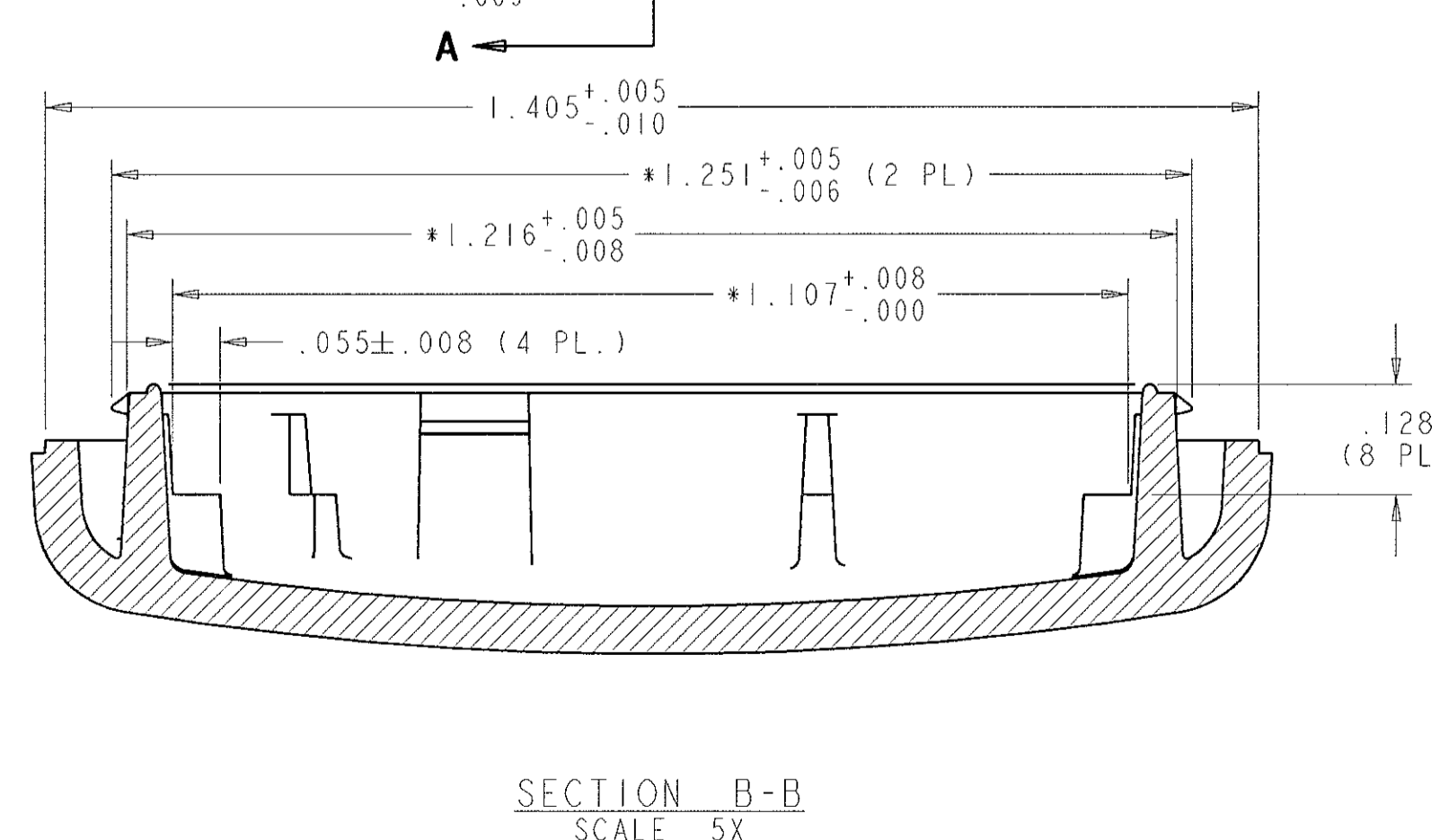
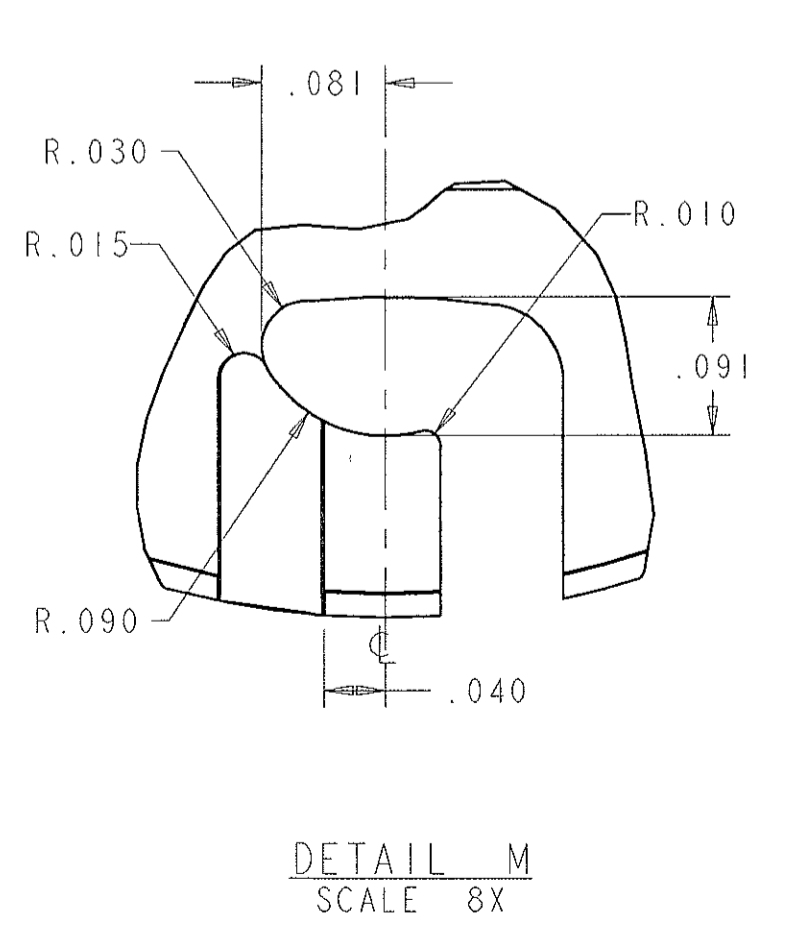
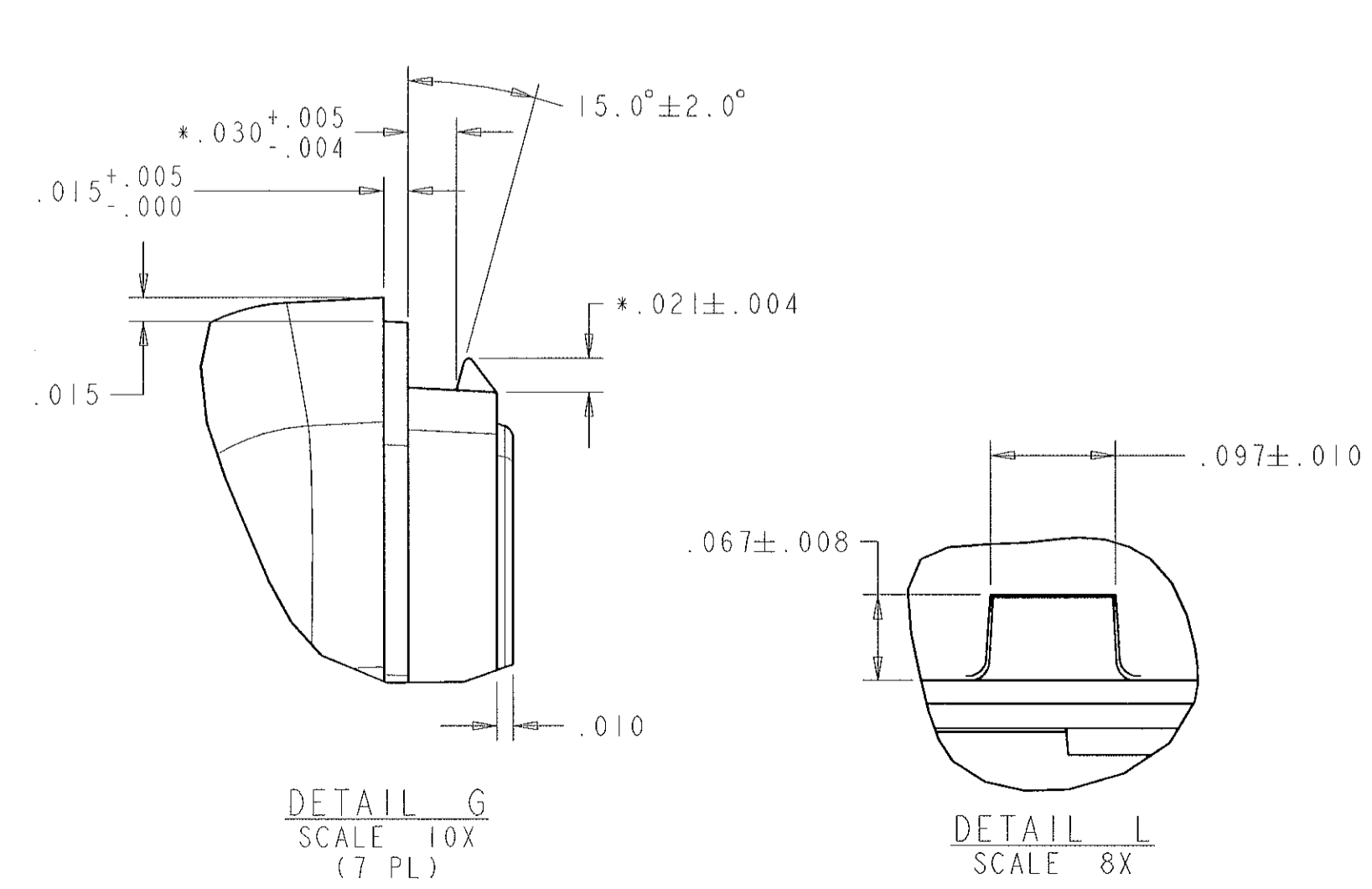
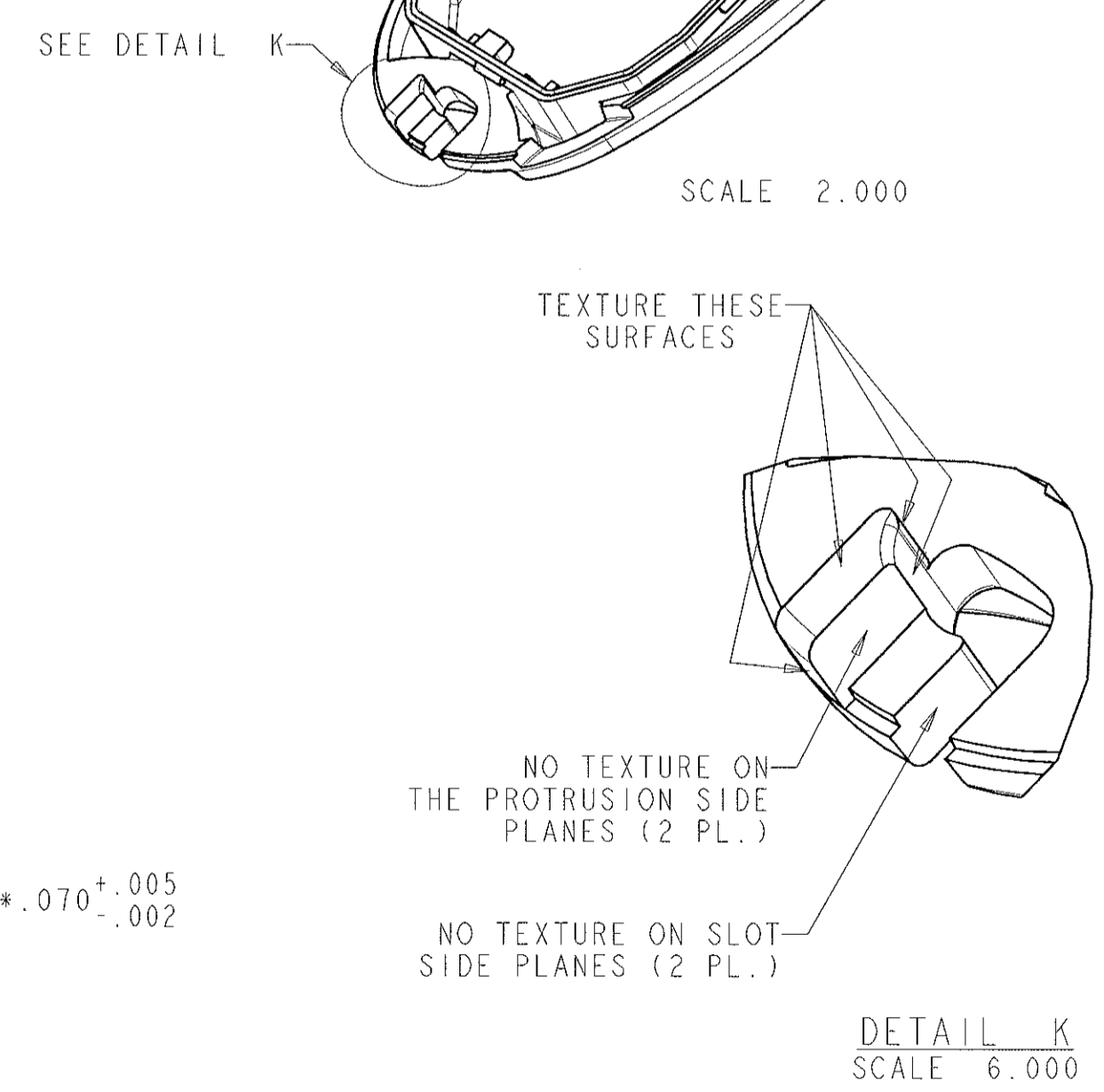
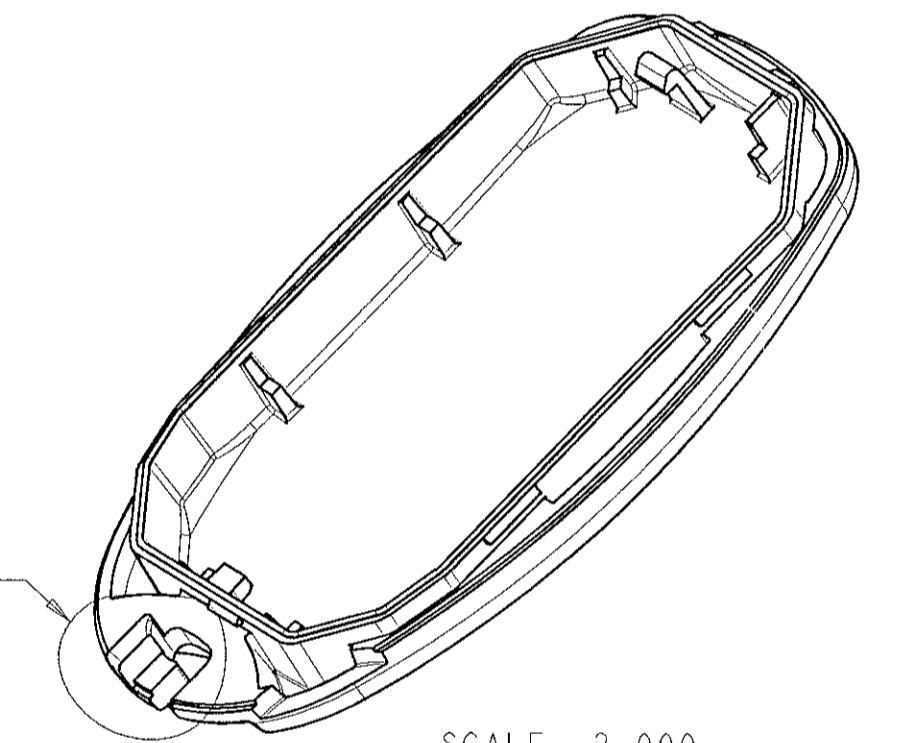
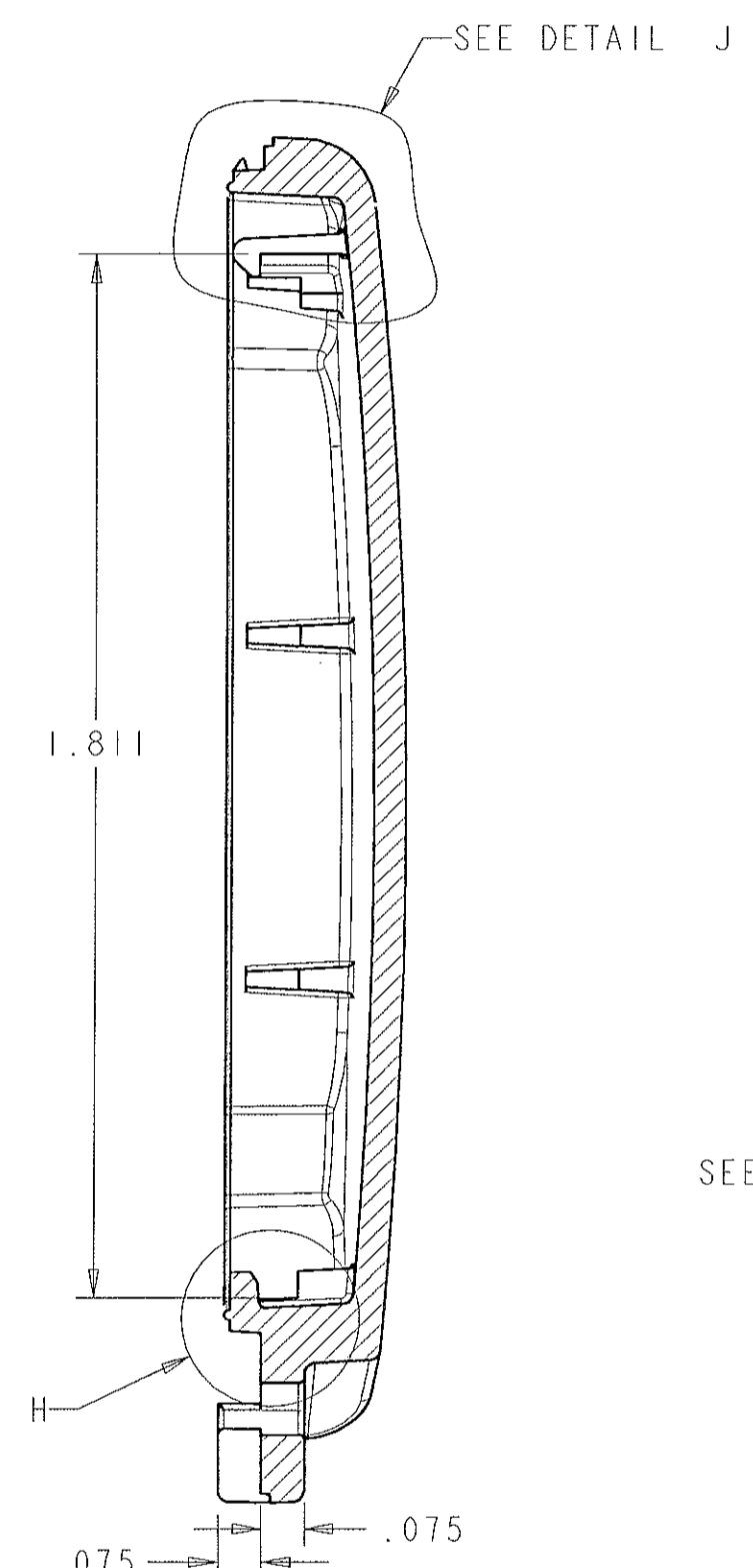
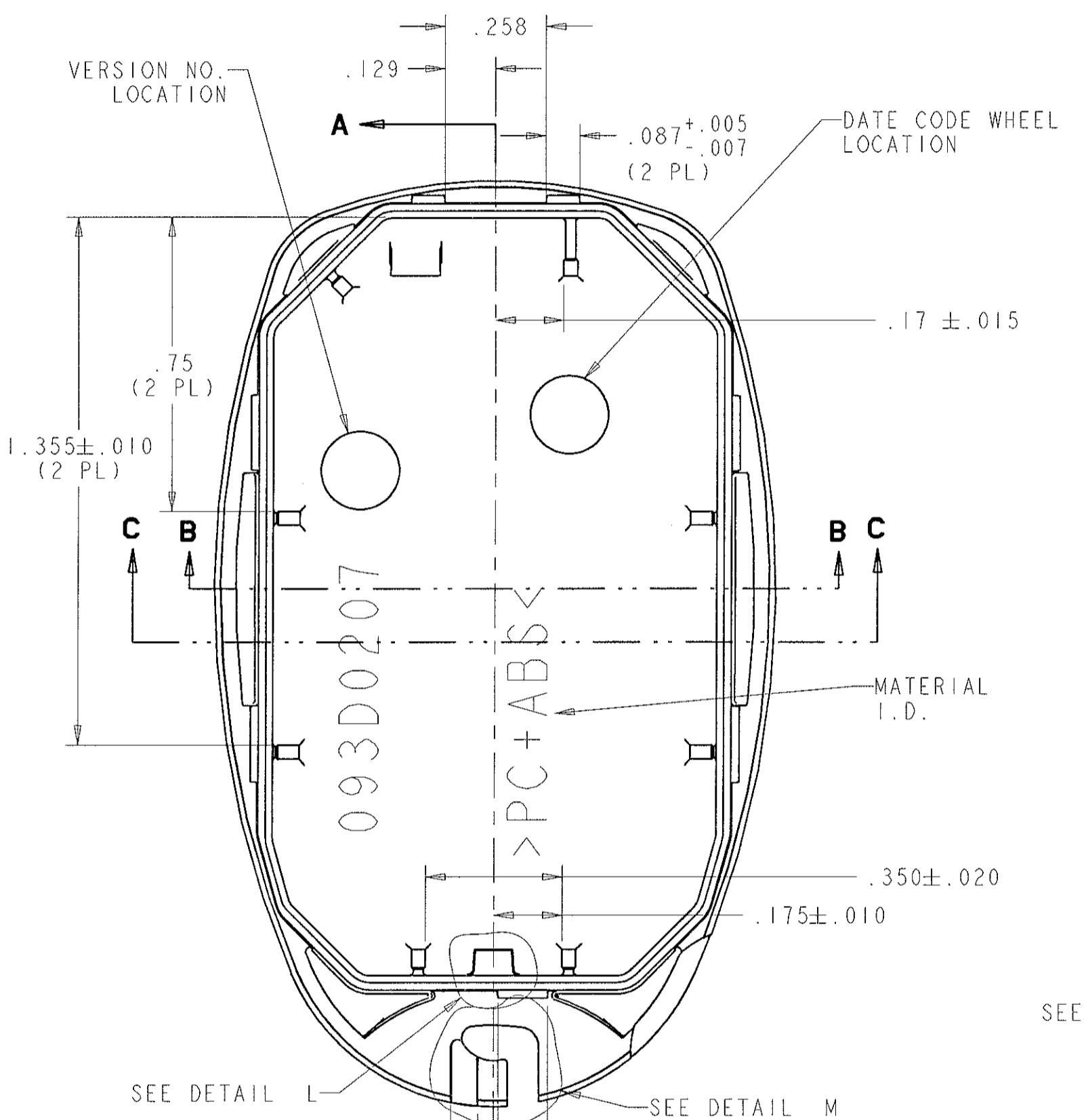
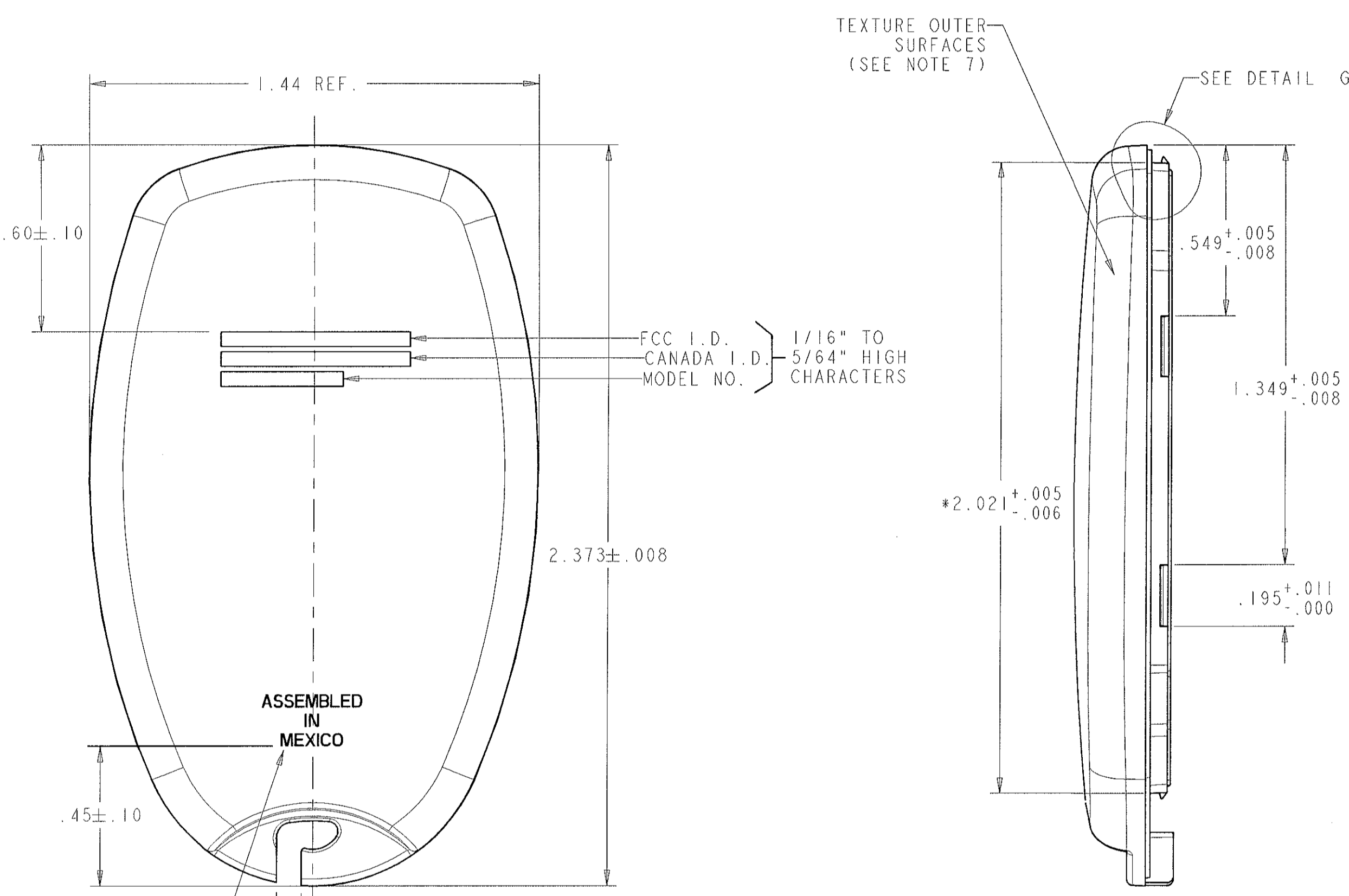
PART NUMBER: 093D0207 THRU -6		SHEET 1 OF 2	
REV	DATE	BY	APP
L-101	20MAY97	MF	
L-227	20OCT97	MF	
M-213	12NOV98	MF	
N-123	6-9-99	EWS	
P-5143	2/21/00	DV	RM
R-5854	11/28/01	DV	RM
T-117	17APR02	LAK	
T-183	21MAY02	LAK	
T-269	25JUL02	LAK	
T-305	8AUG02	EWS	RK



DETAIL J
SCALE 8X



SECTION C-C



CHAMBERLAIN
CONSUMER PRODUCTS GROUP

A UNIT OF DUCOSSOIS INDUSTRIES, INC.

NAME: BOTTOM HOUSING

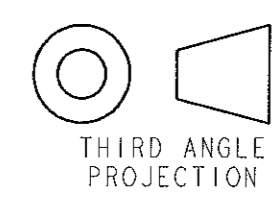
CONFIDENTIAL		TOLERANCES EXCEPT AS NOTED:		DO NOT SCALE DRAWING		MATERIAL	
THIS DRAWING AND/OR INFORMATION CONTAINED HEREIN IS AND REMAINS THE SOLE PROPERTY OF CHAMBERLAIN CONSUMER PRODUCTS GROUP. IT IS TO BE KEPT CONFIDENTIAL AND NOT TO BE REPRODUCED, COPIED, MODIFIED, OR DISCLOSED TO ANY OTHER PARTY WITHOUT THE WRITTEN CONSENT OF CHAMBERLAIN CONSUMER PRODUCTS GROUP. IF ANY ARE SUBJECT TO RETURN TO CHAMBERLAIN.		±.010 DECIMAL ±.005 DECIMAL ±1/64 ON FRACTIONS ±30° ON ANGLES ±.003 ON HOLES		SEE NOTES		SEE NOTES	
THIS IS A COMPUTER GENERATED DRAWING DO NOT CHANGE THIS DOCUMENT WITHOUT UPDATING THE COMPUTER DATA BASE.		THIS COPY ISSUED:		DRAWN: R/JN		PART NUMBER: 093D0207 THRU -6	
				CHECKED: R/JN		SHEET 1 OF 2	
				APPROVED: R/JD		REV	

PART NUMBER: 093D0207 THRU -6			SHEET 2 OF 2
REV	DATE	BY	APP
REVISION			
SEE SHEET 1			

PRODUCT LINE	PART NO.	COLOR	HOUSING I.D. NUMBER
LIFT MASTER	093D0207	G.E. 701 (BLACK)	FCC HBW 1252 CANADA 102 623 MODEL 970
CHAMBERLAIN	093D0207-1	G.E. 1054 (DARK BLUE)	FCC HBW 1252 CANADA 102 623 MODEL 956
MASTER MECHANIC	093D0207-2	G.E. 701 (BLACK)	FCC HBW 1252 CANADA 102 623 MODEL 956
"BLANK"	093D0207-3	G.E. 701 (BLACK)	FCC HBW 1252 CANADA 102 623 MODEL 956
LIFT MASTER GENERIC	093D0207-4	G.E. 701 (BLACK)	FCC HBW 1630 MODEL 970-315LG (SEE NOTE 10)
CHAMBERLAIN MERIK	093D0207-5	G.E. 1054 (DARK BLUE)	FCC HBW 1630 MODEL 956-315CB (SEE NOTE 10)
PASSPORT	093D0207-6	GY4A469 (CMR#3489 STD)	FCC HBW 1665 MODEL CPTK IC 2666A-TXPP2

A
B
C
D
E
F
G
H
J
K
L

A
B
C
D
E
F
G
H
J
K
L



THIRD ANGLE PROJECTION

CHAMBERLAIN
CONSUMER PRODUCTS GROUP
A UNIT OF DUCOSSOIS INDUSTRIES, INC.

NAME: BOTTOM HOUSING

MATERIAL: SEE NOTES (ON SHEET 1)

PART NUMBER: 093D0207 THRU -6

SHEET 2 OF 2

CONFIDENTIAL

THIS DRAWING AND/OR INFORMATION CONTAINED HEREIN IS AND REMAINS THE PROPERTY OF CHAMBERLAIN CONSUMER PRODUCTS GROUP. IT IS TO BE KEPT CONFIDENTIAL AND NOT BE REPRODUCED, COPIED, MODIFIED, DISCLOSED, TRANSMITTED OR USED IN ANY MANNER WITHOUT THE WRITTEN PERMISSION OF CHAMBERLAIN. THIS DRAWING AND/OR INFORMATION IS TO BE RETURNED TO CHAMBERLAIN UPON REQUEST.

TOLERANCES EXCEPT AS NOTED:
 ±.010 ON DECIMALS
 ±.005 ON DECIMALS
 ±1/64 ON FRACTIONS
 ±30 ON ANGLES
 ±.003 ON HOLES

FINISH: SEE NOTES (ON SHEET 1)

DO NOT SCALE DRAWING

THIS IS A COMPUTER GENERATED DRAWING. DO NOT CHANGE THIS DOCUMENT WITHOUT UPDATING THE COMPUTER DATA BASE.

THIS COPY ISSUED:

CHECKED	BY	DATE	SCALE	PART NUMBER	REV
APPROVED	RJN	10-20-97		093D0207 THRU -6	SHEET 2 OF 2