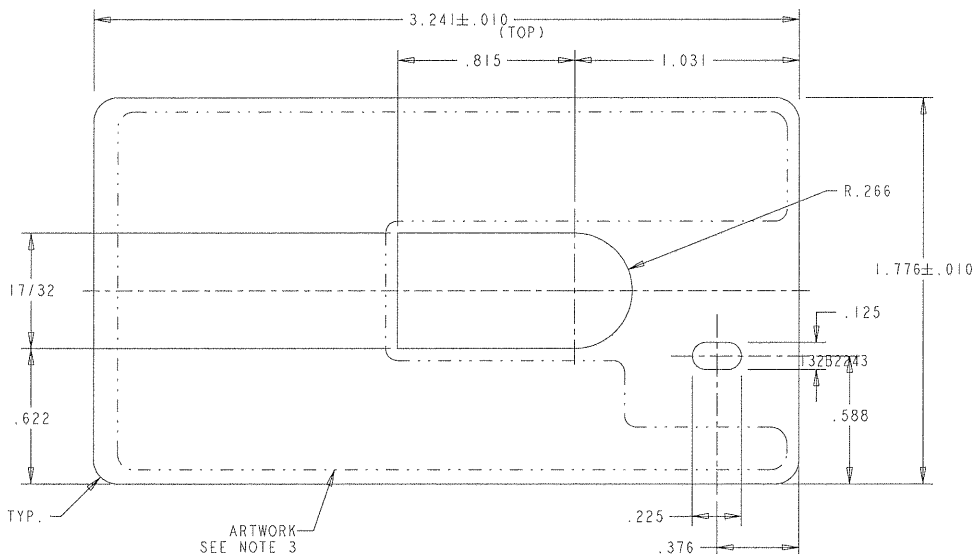


NOTES:

1. MATERIAL: 2 MIL SOLID ALUMINUM FOIL; MATTE FINISH; BLACK LETTERING, WITH PERMANENT PRESSURE SENSITIVE ADHESIVE.
2. LABEL MUST ADHERE TO A PLASTIC SURFACE.
3. USE ARTWORK NO.: (SEE CHART)
4. CUT OUT OPENINGS TO BE FREE OF ALL MATERIAL.

PART NUMBER	ARTWORK NO.
132B2243	132LA2243-00-A
132B2243-1	132LA2243-10-A
132B2243-2	132LA2243-20-A
132B2243-3	132LA2243-30-A
132B2243-4	132LA2243-40-A
132B2243-5	132LA2243-50-A
132B2243-6	132LA2243-60-A
132B2243-7	132LA2243-70-A
132B2243-8	132LA2243-80-A
132B2243-9	132LA2243-90-A
132B2243-10	132LA2243-100-A
132B2243-11	132LA2243-110-A
132B2243-12	132LA2243-120-A
132B2243-13	132LA2243-130-A
132B2243-14	132LA2243-140-A

PART NUMBER: 132B2243 THRU -14				REV
ECN/DATE	BY	APP	REVISIONS	REV
N-172A 30 JUL 99	MF		RELEASE	A
N-5791 02 NOV 99	RS		ADDED 132B2243-6, -7, -8, -9, -10 AND -11. RELEASED ARTWORKS FOR CORRESPONDING PART NUMBERS	B
R-182 07/12/01	LAK		REPLACE 132B2243-7 WITH 132B2243-12; REPLACE 132B2243-8 WITH 132B2243-13; REPLACE 132B2243-11 WITH 132B2243-14; UPDATE PATENTS.	C



NAME LABEL, FCC KEYLESS

MATERIAL SEE NOTES

**CONFIDENTIAL**  
 THIS DRAWING AND/OR INFORMATION CONTAINED HEREIN IS AND REMAINS THE SOLE PROPERTY OF, AND IS PROPRIETARY TO, THE CHAMBERLAIN GROUP, INC. (CHAMBERLAIN). THIS DRAWING AND/OR INFORMATION SHALL BE KEPT CONFIDENTIAL AND MAY NOT BE REPRODUCED, COPIED, MODIFIED, DISCLOSED, TRANSMITTED, OR MADE AVAILABLE TO OTHERS, EXCEPT WITH THE EXPRESS WRITTEN CONSENT OF CHAMBERLAIN. THIS DRAWING AND/OR ALL COPIES, IF ANY, ARE SUBJECT TO RETURN TO CHAMBERLAIN.

THIS IS A COMPUTER GENERATED DRAWING  
 DO NOT CHANGE THIS DOCUMENT WITHOUT  
 UPDATING THE COMPUTER DATA BASE

THIS COPY ISSUED:

TOLERANCES EXCEPT AS NOTED:  
 ±.010 .00 DECIMAL  
 ±.005 .000 DECIMAL  
 ±1/64 ON FRACTIONS  
 ±0° 30' ON ANGLES  
 ±.003 ON HOLES

DO NOT SCALE DRAWING			
FINISH SEE NOTES			
DRAWN	BY MF	DATE 30 JUL 99	SCALE
CHECKED			
APPROVED			

PART NUMBER	REV
132B2243 THRU -14	C