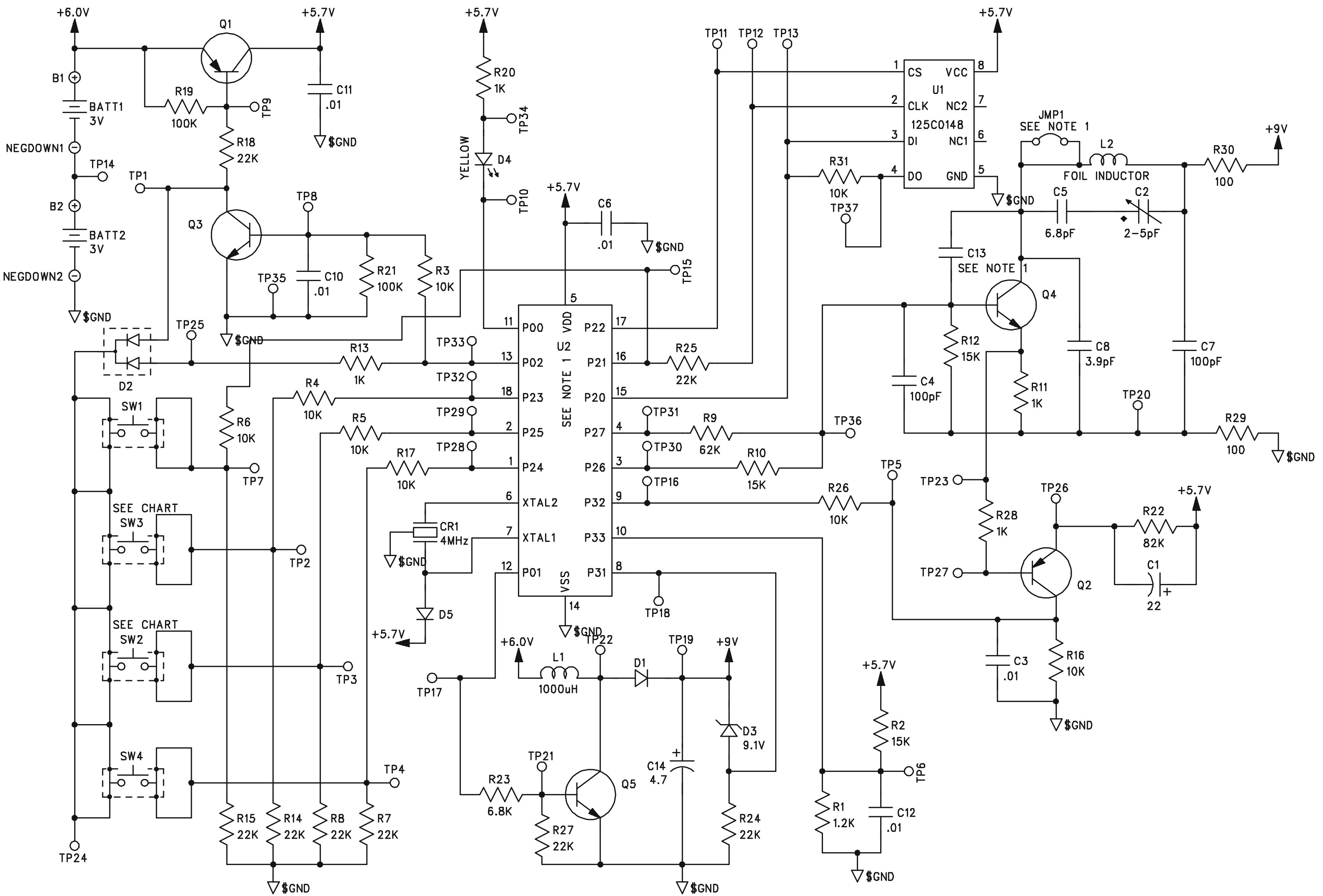
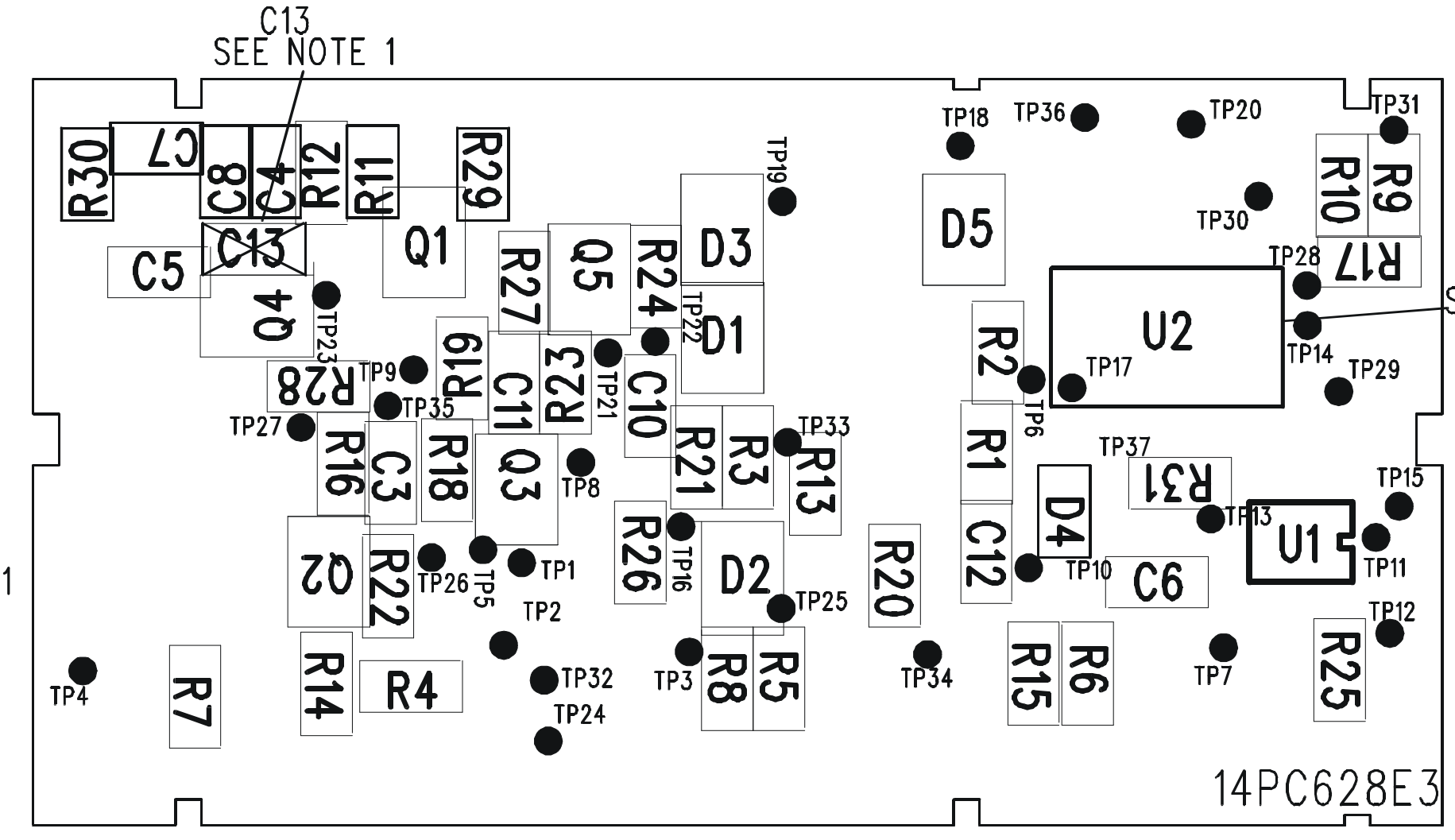
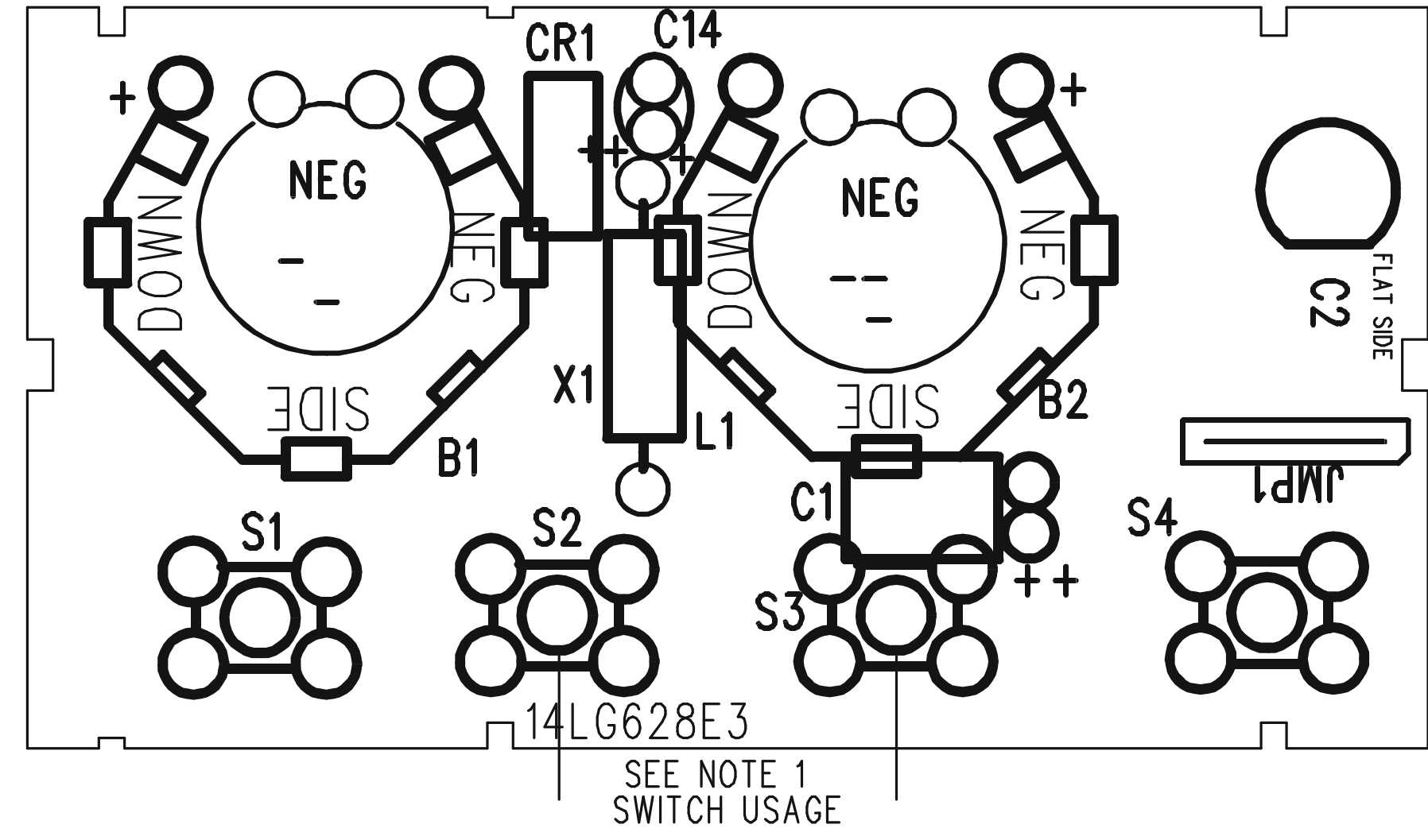


REF-DES	P/N	DESCRIPTION	QTY
B1-2	32D0134-2	HOLDER/ +CONTACT, COIN CELL	2
ITEM 3	10A0020	BATTERY, 3V COIN CELL	2
C1	30B0445-081	CAPACITOR, LYTIC 22uF 10V	1
C13	SEE NOTE 1	CAP SMD0805 1.8pF +/-1 NPO	1
C14	30B0477	CAPACITOR, LYTIC 4.7uF 16V	1
C2	30B0431	CAPACITOR, VARIABLE TOP ADJ	1
C3 C6 C10-12	030D710422R0	CAP SMD0805 0.01uF 20% X7R	5
C4 C7	030D71020100	CAP SMD0805 100pF 5% NPO	2
C5	030D76800000	CAP SMD0805 6.8pF 5% NPO	1
C8	030D73903000	CAP SMD0805 3.9pF +/-1 NPO	1
CR1	33B0039-3	RESONATOR, CERAMIC 4MHZ	1
D1 D5	52B0065	DIODE, SMD SIGNAL	2
D2	52B0070	DIODE, SMD DUAL COMMON CATHODE	1
D3	52B0115	DIODE, SMD ZENER 9.1V	1
D4	52B0114	DIODE, LED SMD805 YELLOW	1
JMP1	SEE NOTE 1	WIRE JUMPER SPECIAL 0.30" 1"	1
L1	40A0096	INDUCTOR, 1000uH	1
ITEM 2	14D0628	PC BOARD	1
NEGDOWN1-2	32C0133	CONTACT, NEG COIN CELL	2
Q1-2	207C0069	TRANSISTOR, SMD PNP SWITCH	2
Q3 Q5	207C0073	TRANSISTOR, SMD NPN SWITCH	2
Q4	207C0074	TRANSISTOR, SMD NPN RF	1
R1	311C1225	RES SMD0805 1.2K 5%	1
R11 R13 R20	311C1025	RES SMD0805 1.0K 5%	4
R28			
R19 R21	311C1045	RES SMD0805 100K 5%	2
R2 R10 R12	311C1535	RES SMD0805 15K 5%	3
R22	311C8235	RES SMD0805 82K 5%	1
R23	311C6825	RES SMD0805 6.8K 5%	1
R29-30	311C1015	RES SMD0805 100 5%	2
R3-6 R16-17	311C1035	RES SMD0805 10K 5%	8
R26 R31			
R7-8 R14-15	311C2235	RES SMD0805 22K 5%	8
R18 R24-25 R27			
R9	311C6235	RES SMD0805 62K 5%	1
SW1 SW4	180B0120-2	SWITCH, MOMENTARY PB	2
SW3 SW2	SEE CHART	SWITCH, MOMENTARY PB	2
U1	125C0148	SOIC, ELECT. ERASABLE PROM 3V	1
U2	SEE NOTE 1	SOIC, LEARNING TX ENCODER	1

NOTE 1

	001A5581-2 2 CHANNEL (LEARNING CHANNEL FIXED)	001A5581-4 4 CHANNEL (LEARNING CHANNEL FIXED)	001A5581-3 2 CHANNEL (LEARNING CHANNEL ROLL)	001A5581-5 4 CHANNEL (LEARNING CHANNEL ROLL)
SW2, SW3	NOT USED	180B0120-2	NOT USED	180B0120-2
U2	125C0154	125C0154	125C0267	125C0267
TEST SPE	190A0465	190A0465	190A0595	190A0595
CT3	NOT USED	NOT USED	NOT USED	NOT USED
JMP1	NOT USED	NOT USED	NOT USED	NOT USED

- UNLESS OTHERWISE NOTED: CAPACITORS ARE IN MICROFARADS RESISTOR ARE IN OHMS.
- TRANSMITTER ASSEMBLY NUMBERS: 001A5059 (BILLION CODE), 001A5467 (ROLLING CODE).
- ALL LEADED COMPONENTS TO BE INSERTED TO WITHIN .020" OF BODY OR PREFORM LIMITS.
- TEST SPEC REFERENCE: SEE CHART
- ALL FLUX USED IN SOLDER PROCESS MUST BE HALIDE-FREE.
- LEAD CLIPPING SPEC (WIRE LEADED PARTS ONLY): .050" MIN, .095" MAX.
- CLEANING OF ASSEMBLY WITH A CLEANING SOLVENT AFTER SOLDERING IS NOT PERMITTED.
- ALL ARRAY TABS MUST BE CUT FLUSH TO EDGE OF PCB, BUT NO MORE THAN .005 INTO BOARD.



PART NUMBER	195D1620	REV	E3
ECN/DATE			
BY			
APP			
REVISION			

<p>CONFIDENTIAL</p> <p>THIS DRAWING AND/OR THE INFORMATION CONTAINED HEREIN IS AND REMAINS THE SOLE PROPERTY OF AND IS PROPRIETARY TO THE CHAMBERLAIN GROUP, INC. (CHAMBERLAIN). THIS DRAWING AND/OR INFORMATION SHALL BE KEPT CONFIDENTIAL AND MAY NOT BE REPRODUCED, COPIED, MODIFIED, DISCLOSED, TRANSFERRED, OR MADE AVAILABLE TO OTHERS, EXCEPT WITH THE WRITTEN CONSENT OF CHAMBERLAIN. THIS DRAWING AND/OR ALL COPIES, IF ANY, ARE SUBJECT TO RETURN TO CHAMBERLAIN.</p>		<p>DO NOT SCALE DRAWING</p> <p>TOLERANCE UNLESS OTHERWISE SPECIFIED:</p> <p>±.010 .000 DECIMAL</p> <p>±.005 .000 DECIMAL</p> <p>±.164 ON FRACTIONS</p> <p>±.30° ON ANGLES</p> <p>±.003 ON HOLES</p>	
<p>THIS IS A COMPUTER GENERATED DRAWING</p> <p>DO NOT CHANGE THIS DOCUMENT WITHOUT UPDATING THE COMPUTER DATA BASE.</p>		<p>THIS COPY ISSUED:</p>	
DRAWN	BY DV	DATE	06/10/97
CHECKED	HOG	DATE	06/10/97
APPROVED			
SCALE		PART NUMBER	195D1620
		REV	E3

CHAMBERLAIN
CONSUMER PRODUCTS GROUP
A UNIT OF DUCHOSSAIS INDUSTRIES, INC.

NAME
PCB Assy., 2/4 CH. 315MHz

MATERIAL	
FINISH	