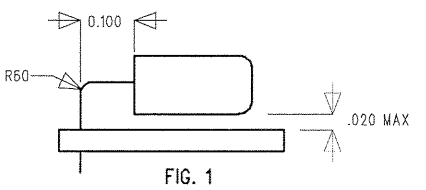
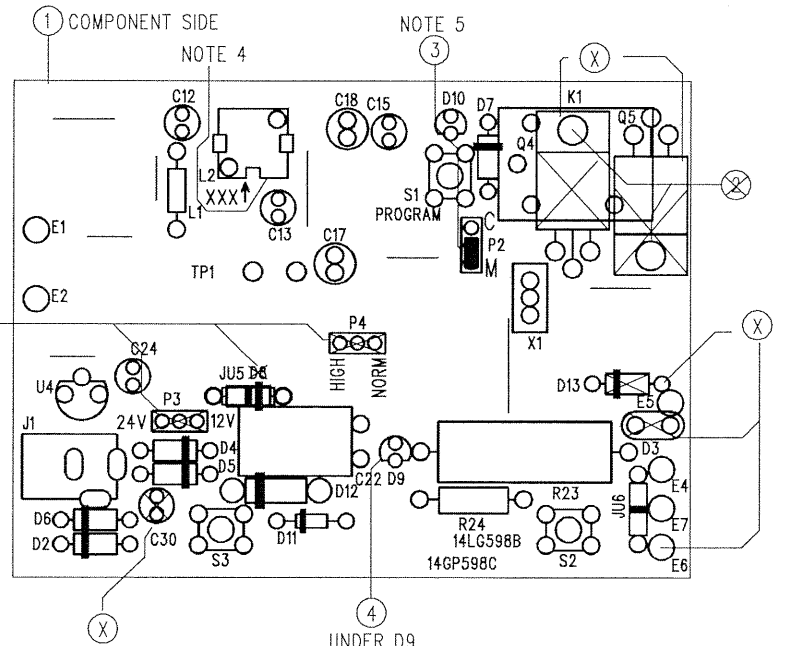
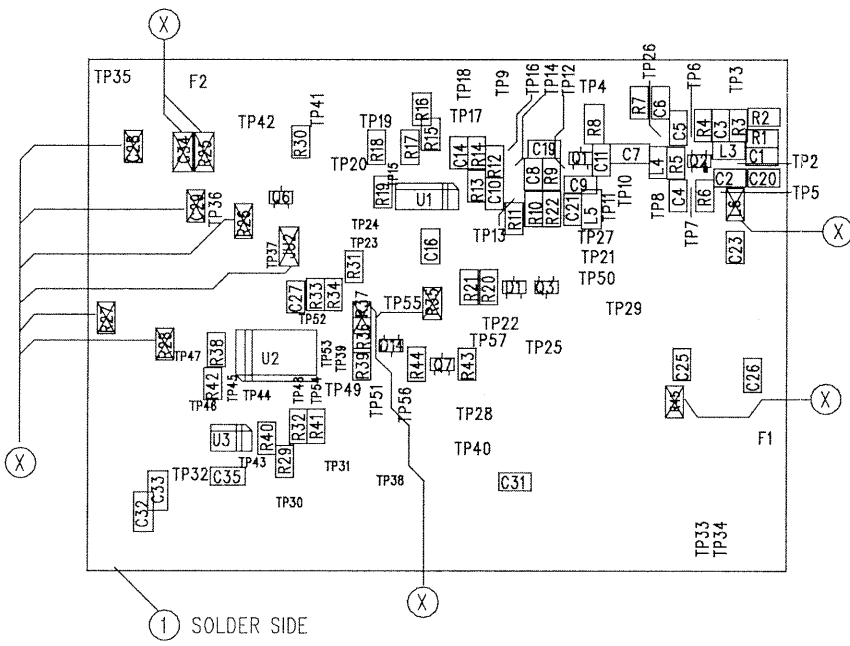
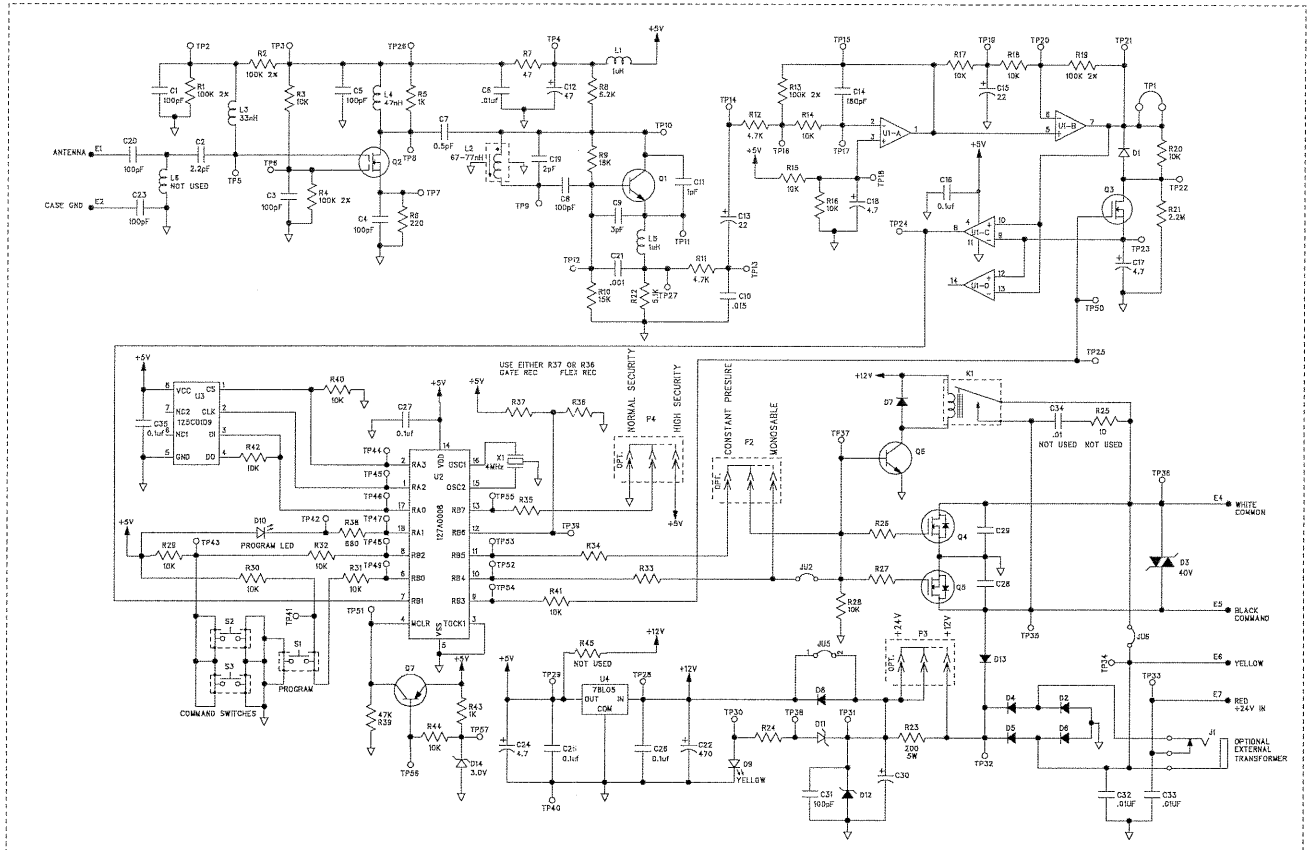


535-315LM

Reference	Part Name	Description	Qty
C1, C3-C5, C8,	030D71020100	CAP SMD0805 100pF 5% NPO	8
C20, C23, C31	030D715412F0	CAP SMD0805 0.015uF 10% X7R	1
C10	030D71000000	CAP SMD0805 1.0pF 5% NPO	1
C11	030B0440-061	CAPACITOR, LYTIC 47uF 10V	1
C12	030B0445-061	CAPACITOR, LYTIC 22uF 10V	2
C13, C15	030D71820002	CAP SMD0805 180pF 5% NPO 50V	1
C14	030D710522F0	CAP SMD0805 0.1uF 20% X7R 50V	5
C16, C25-C27, C35	030B0442-061	CAPACITOR, LYTIC 4.7uF 25V	3
C17, C18, C24	030D72203000	CAP SMD0805 2.2pF 5% NPO	1
C19	030D710322F0	CAP SMD0805 0.001uF 20% X7R	1
C2	030D72203000	CAP SMD0805 2.2pF 5% NPO	1
C21	030D710322F0	CAP SMD0805 0.001uF 20% X7R	1
C22 (SEE FIG 1)	030A0508-100	CAPACITOR, LYTIC 470uF 35V	1
C28, C29	NOT USED	CAP SMD0805 0.1uF 20% X7R 50V	
C30	NOT USED	CAPACITOR, LYTIC 22uF 50V	
C8, C32, C33	030D710422F0	CAP SMD0805A1206 0.01uF 5% 50V	3
C34	NOT USED	CAP SMD0805A1206 0.01uF 20% X7R	
C7	030D70500000	CAP SMD 0805A1206 0.5pF +/-25 NPO	1
C9	030D73000000	CAP SMD0805 3.0pF 5% NPO	1
D1	052B0065	DIODE, SMD SIGNAL	1
D10, D8	052B0079-2	DIODE, LED T1 YELLOW	2
D11	052A0054	DIODE, ZENER 8.2V	1
D12	052A0146	DIODE, ZENER 18V 5W	1
D14	052B0152	DIODE, SMD ZENER 3.0V	1
D2, D4, D5, D6, D7	052B0007-401	DIODE, RECTIFIER 100V PIV	5
D3	NOT USED	DIODE, M.O.V. 40V	
D8, D13	NOT USED	DIODE, RECTIFIER 100V PIV	
E1	888GZ11010	CONNECTION POINT, EXT WIRE GRAY	1
E2	888GJ05610	CONNECTION POINT, EXT WIRE GRAY	1
E4	859GX03610	CONNECTION POINT, EXT WIRE WHITE	1
E5	850GX03610	CONNECTION POINT, EXT WIRE BLACK	1
E6	NOT USED	CONNECTION POINT, EXT WIRE	
E7	856GX04410	CONNECTION POINT, EXT WIRE RED	1
J1	203A0158	DC POWER JACK	1
JU2	NOT USED	RES SMD0805A1206 ZERO OHM	
JU5, JU8	0304A0001-40	RESISTOR, ZERO OHM 0.40"	2
K1	160B0105	RELAY, 12V LOW PROFILE FORM A	1
L1	040B0039-451	INDUCTOR, RF CHOKE 1uH	1
L2	040B0133	INDUCTOR, VARIABLE, SHIELDED	1
L3	040A0103	INDUCTOR, RF CHOKE 33nH SMD	1
L4	040A0095	INDUCTOR, RF CHOKE 47nH SMD	1
L5	040A0104	INDUCTOR, RF CHOKE 1uH SMD	1
L6	NOT USED	INDUCTOR, RF CHOKE	
P2	023A0102	CONNECTOR 3 PIN HEADER	1
P3, P4	NOT USED	CONNECTOR 3 PIN HEADER	
Q1	207C0065	TRANSISTOR, SMD NPN RF FR42	1
Q2	207C0103	TRANSISTOR, N-FET DUAL GATE	1
Q3	207C0104	TRANSISTOR, N-CHANNEL FET	1
Q4, Q5	NOT USED	MOSFET, 100V 2A WINT DIODE	
Q6	207C0073	TRANSISTOR, SMD NPN SWITCH	1
Q7	207C0069	TRANSISTOR, SMD PNP SWITCH	1
R10	311C1535	RES SMD0805 15K 5%	1
R11, R12, R33, R34, R38	311C4725	RES SMD0805 4.7K 5%	5
R1, R2, R4, R13, R19	311C1042	RES SMD0805 100K 2%	1
R21	311C2255	RES SMD0805 2.2M 5%	1
R22	311C5125	RES SMD0805 5.1K 5%	1
R23	156A0144	RESISTOR, 200 OHM 5W	1
R24	300A1335	RES C.F. 1.3K 1/2W 5%	1
R25	NOT USED	RES SMD0805A1206 10 OHM 5%	
R26, R27	NOT USED	RES SMD0805 470 5%	
R28	NOT USED	RES SMD0805 10K 5%	
R3, R14-R16, R20,	311C1035	RES SMD0805 10K 5%	15
R29-R32, R40-R42, R44	NOT USED	RES SMD0805 4.7K 5%	
R35, R37	NOT USED	RES SMD0805 4.7K 5%	
R38	311C0815	RES SMD0805 680 5%	1
R39	311C4735	RES SMD0805 47K 5%	1
R45	NOT USED	RES SMD0805 220 5%	
R5, R43	311C1025	RES SMD0805 1.0K 5%	2
R6	311C2215	RES SMD0805 220 5%	1
R7	311C4705	RES SMD0805 47 OHM 5%	1
R8	311C8225	RES SMD0805A1206 6.2K 5%	1
R9	311C1835	RES SMD0805 18K 5%	1
S1, S2, S3	180B0120-1	SWITCH, MOM. PB, HI FORCE	3
TP1	217A0147-1	TEST POINT, .25" BARE WIRE	1
U1	125C0133	I.C., QUAD OP AMP LM2902	1
U2	127A0006	SOIC, UNIVERSAL RX uP	1
U3	125C0109	SOIC, ELECT. ERASABLE PROM	1
U4	125B0013	I.C., VOLTAGE REG 5V	1
X1	033B0069	RESONATOR, CERAMIC 4MHz	1
ITEMS	NON-SCHEMATIC		
1	14D0598	PC BOARD	
2	NOT USED	RIVET, NYLON	
3	175A0117	CONNECTOR, SHORTING	1
4	184A0094	SPACER, LED 0.32"	1
5	014R0598	3 up Array	0.333



- NOTES:
1. ALL COMPONENTS TO BE INSERTED TO WITHIN 0.020" OF BODY OR PREFORM LIMITS.
 2. LEAD CLIP SPECIFICATION (WIRE LEADED PARTS ONLY): 0.050" MIN. 0.095" MAX.
 3. CLEANING OF ASSEMBLY WITH A CLEANING SOLVENT AFTER WAVESOLDER IS NOT PERMITTED.
 4. L2 MUST BE INSERTED WITH SIDE OF CAN CONTAINING PART NUMBER OR ORIENTING NOTCH FACING IN DIRECTION SHOWN ON SILKSCREEN.
 5. SHIPPING POSITION OF OPTION 175A0117 (WHERE USED): P2 MUST BE IN THE "M" POSITION;

CONFIDENTIAL

THIS DRAWING AND/OR THE INFORMATION CONTAINED HEREIN IS AND REMAINS THE SOLE PROPERTY OF, AND IS PROPRIETARY TO, THE CHAMBERLAIN GROUP, INC. (CHAMBERLAIN). THIS DRAWING AND/OR INFORMATION SHALL BE KEPT CONFIDENTIAL AND MAY NOT BE REPRODUCED, COPIED, REVISED, DISCLOSED, TRANSFERRED OR MADE AVAILABLE TO OTHERS, EXCEPT WITH THE WRITTEN CONSENT OF CHAMBERLAIN. THIS DRAWING AND/OR ALL COPIES, IF ANY, ARE SUBJECT TO RETURN TO CHAMBERLAIN.

DO NOT SCALE DRAWING

UNLESS OTHERWISE SPECIFIED

FINISH

SCALE

PART NUMBER

REV

195D1615

10/08/01

195D1595

PRELIMINARY

PART NUMBER	195D1595	REV	A
ECN/DATE	10/08/01	REV	A
RELEASE			
PRELIMINARY			

PRELIMINARY

CHAMBERLAIN
CONSUMER PRODUCTS GROUP
A UNIT OF DUCHOSSON INDUSTRIES, INC.

ASSEMBLY, PCB
315Mhz UNIVERSAL Rx