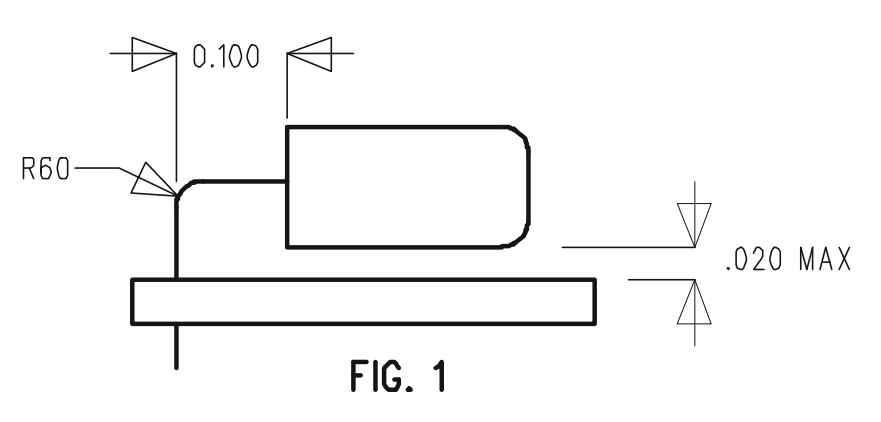
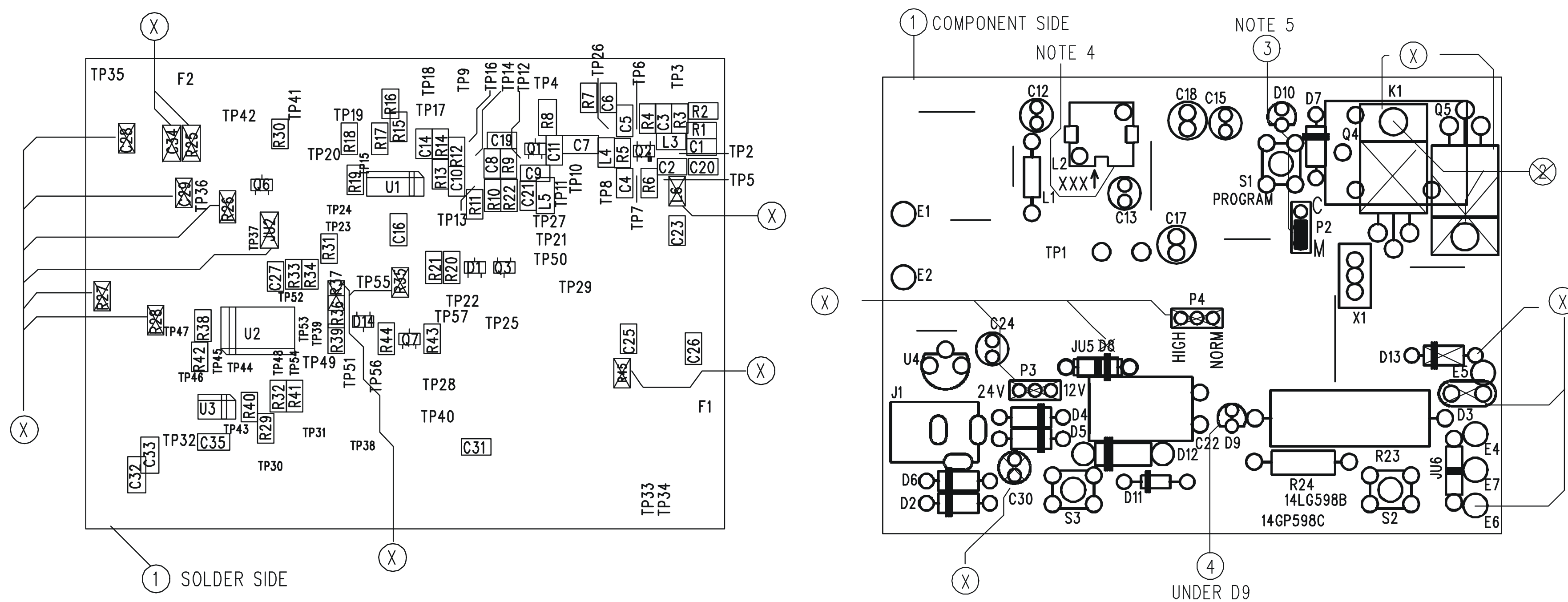
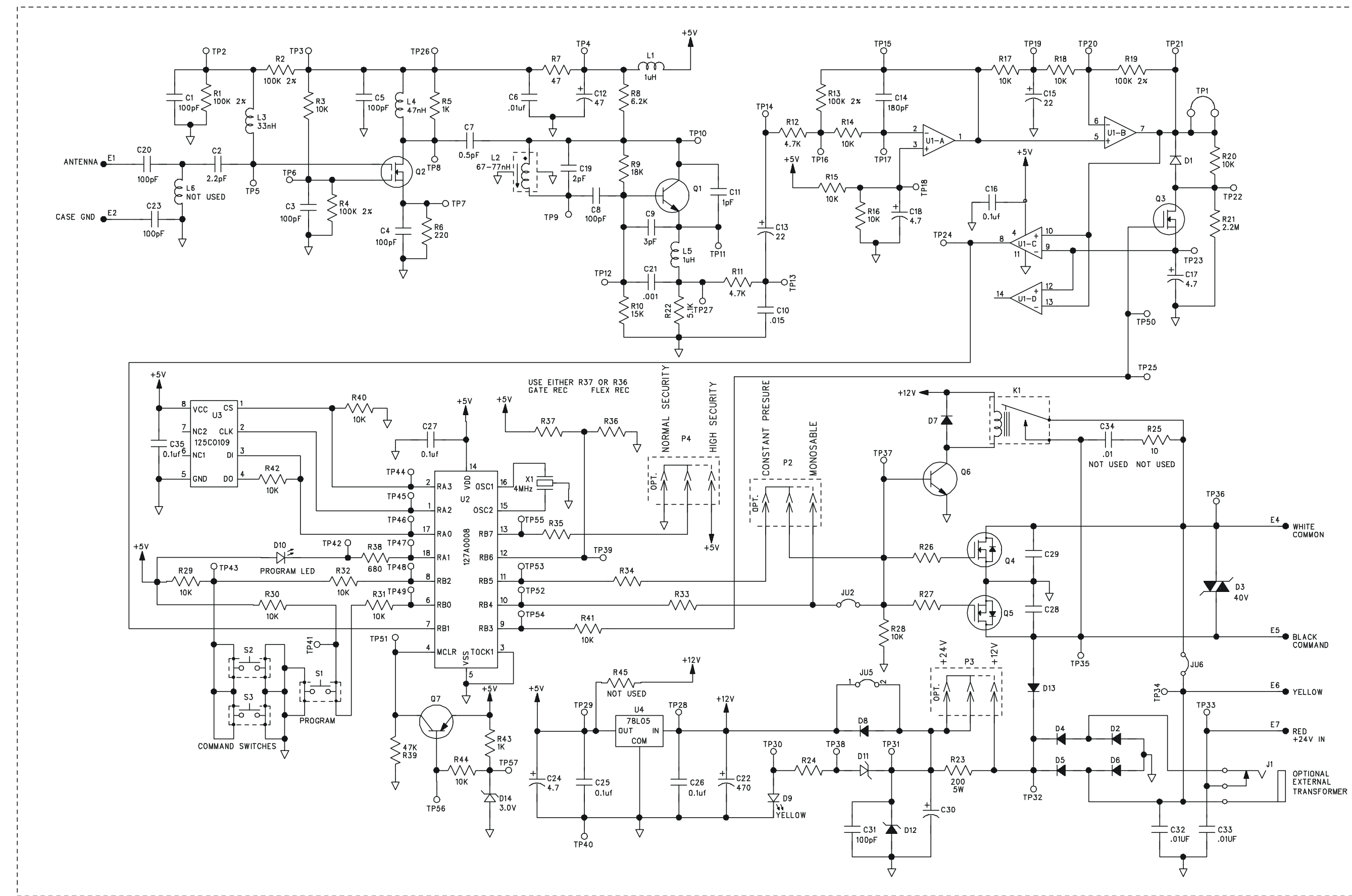


PART NUMBER		195D1595		A
EOM/DATE	BY	APP	REVISION	REV
R-318 10/08/01	CE		RELEASE	A
PRELIMINARY				

ASSEMBLY 001A573				
Reference	Part Name	Description	Qty	
C1, C3-C5, C8,				
C20, C23, C31	030D71020100	CAP SMD0805 100pF 5% NPO	8	
C10	030D715412R0	CAP SMD0805 0.015uF 10% X7R	1	
C11	030D71000000	CAP SMD0805 1.0pF 5% NPO	1	
C12	030B0440-081	CAPACITOR, LYTIC 47uF 10V	1	
C13, C15	030B0445-081	CAPACITOR, LYTIC 22uF 10V	2	
C14	030D71820002	CAP SMD0805 180pF 5% NPO 50V	1	
C16, C25-C27, C35	030D710522R0	CAP SMD0805 0.1uF 20% X7R 50V	5	
C17, C18, C24	030B0442-081	CAPACITOR, LYTIC 4.7uF 25V	3	
C19	030D72000000	CAP SMD0805 2.0pF 5% N150	1	
C2	030D72203000	CAP SMD0805 2.2pF 5% NPO	1	
C21	030D710322R0	CAP SMD0805 0.001uF 20% X7R	1	
C22 (SEE FIG 1)	030A0508-100	CAPACITOR, LYTIC 470uF 35V	1	
C28, C29	NOT USED	CAP SMD0805 0.1uF 20% X7R 50V		
C30	NOT USED	CAPACITOR, LYTIC 22uF 50V		
C6, C32, C33	030D710422R0	CAP SMD0805A/1206 0.01uF 5% 50V	3	
C34	NOT USED	CAP SMD0805A/1206 0.01uF 20% X7R		
C7	030D70500000	CAP SMD 0805A/1206 0.5pF +/-25 NPO	1	
C9	030D73000000	CAP SMD0805 3.0pF 5% NPO	1	
D1	052B0066	DIODE, SMD SIGNAL	1	
D10, D9	052B0079-2	DIODE, LED T1 YELLOW	2	
D11	052A0054	DIODE, ZENER 8.2V	1	
D12	052A0146	DIODE, ZENER 18V 5W	1	
D14	052B0152	DIODE, SMD ZENER 3.0V	1	
D2, D4, D5, D6, D7	052B0007-401	DIODE, RECTIFIER 100V PIV	5	
D3	NOT USED	DIODE, M.O.V. 40V		
D8, D13	NOT USED	DIODE, RECTIFIER 100V PIV		
E1	888G211010	CONNECTION POINT, EXT WIRE GRAY	1	
E2	888GJ05610	CONNECTION POINT, EXT WIRE GRAY	1	
E4	859GX03610	CONNECTION POINT, EXT WIRE WHITE	1	
E5	850GX03610	CONNECTION POINT, EXT WIRE BLACK	1	
E6	NOT USED	CONNECTION POINT, EXT WIRE		
E7	856GX04410	CONNECTION POINT, EXT WIRE RED	1	
J1	203A0158	DC POWER JACK	1	
JU2	NOT USED	RES SMD0805A/1206 ZERO OHM		
JU5, JU6	0304A0001-40	RESISTOR, ZERO OHM 0.40"	2	
K1	160B0105	RELAY, 12V LOW PROFILE FORM A	1	
L1	040B0039-451	INDUCTOR, RF CHOKE 1uH	1	
L2	040B0133	INDUCTOR, VARIABLE, SHIELDED	1	
L3	040A0103	INDUCTOR, RF CHOKE 33nH SMD	1	
L4	040A0096	INDUCTOR, RF CHOKE 47nH SMD	1	
L5	040A0104	INDUCTOR, RF CHOKE 1uH SMD	1	
L6	NOT USED	INDUCTOR, RF CHOKE		
P2	023A0102	CONNECTOR 3 PIN HEADER	1	
P3, P4	NOT USED	CONNECTOR 3 PIN HEADER		
Q1	207C0065	TRANSISTOR, SMD NPN RF PR42	1	
Q2	207C0103	TRANSISTOR, N-FET DUAL GATE	1	
Q3	207C0104	TRANSISTOR, N-CHANNEL FET	1	
Q4, Q5	NOT USED	MOSFET, 100V 2A WINT DIODE		
Q6	207C0073	TRANSISTOR, SMD NPN SWITCH	1	
Q7	207C0069	TRANSISTOR, SMD PNP SWITCH	1	
R10	311C1535	RES SMD0805 15K 5%	1	
R11, R12, R33, R34, R36	311C4725	RES SMD0805 4.7K 5%	5	
R1, R2, R4, R13, R19	311C1042	RES SMD0805 100K 2%	5	
R21	311C2255	RES SMD0805 2.2M 5%	1	
R22	311C5125	RES SMD0805 5.1K 5%	1	
R23	156A0144	RESISTOR, 200 OHM 5W	1	
R24	300A1335	RES C.F. 1.3K 1/2W 5%	1	
R25	NOT USED	RES SMD0805A/1206 10 OHM 5%		
R26, R27	NOT USED	RES SMD0805 470 5%		
R28	NOT USED	RES SMD0805 10K 5%		
R3, R14-R18, R20, R29-R32, R40-R42, R44	311C1035	RES SMD0805 10K 5%	15	
R35, R37	NOT USED	RES SMD0805 4.7K 5%		
R38	311C6815	RES SMD0805 680 5%	1	
R39	311C4735	RES SMD0805 47K 5%	1	
R45	NOT USED	RES SMD0805 220 5%		
R5, R43	311C1025	RES SMD0805 1.0K 5%	2	
R6	311C2215	RES SMD0805 220 5%	1	
R7	311C4705	RES SMD0805 47 OHM 5%	1	
R8	311C6225	RES SMD0805A/1206 6.2K 5%	1	
R9	311C1835	RES SMD0805 18K 5%	1	
S1, S2, S3	180B0120-1	SWITCH, MOM. PB, HI FORCE	3	
TP1	217A0147-1	TEST POINT, .25" BARE WIRE	1	
U1	125C0133	I.C., QUAD OP AMP LM2902	1	
U2	127A0008	SOIC, UNIVERSAL RX UP	1	
U3	125C0109	SOIC, ELECT. ERASABLE PROM	1	
U4	125B0013	I.C., VOLTAGE REG 5V	1	
X1	033B0069	RESONATOR, CERAMIC 4MHz	1	
ITEMS	NON-SCHEMATIC			
1	14D0598	PC BOARD		
2	NOT USED	RIVET, NYLON		
3	175A0117	CONNECTOR, SHORTING	1	
4	184A0094	SPACER, LED 0.32"	1	
5	014R0598	3 up Array	0.333	



- NOTES:
- ALL COMPONENTS TO BE INSERTED TO WITHIN 0.020" OF BODY OR PREFORM LIMITS.
 - LEAD CLIP SPECIFICATION (WIRE LEADED PARTS ONLY): 0.050" MIN, 0.095" MAX.
 - CLEANING OF ASSEMBLY WITH A CLEANING SOLVENT AFTER WAVESOLDER IS NOT PERMITTED.
 - L2 MUST BE INSERTED WITH SIDE OF CAN CONTAINING PART NUMBER OR ORIENTING NOTCH FACING IN DIRECTION SHOWN ON SILKSCREEN.
 - SHIPPING POSITION OF OPTION 175A0117 (WHERE USED): P2 MUST BE IN THE "M" POSITION;

CONFIDENTIAL
THIS DRAWING AND/OR THE INFORMATION CONTAINED HEREIN IS AND REMAINS THE SOLE PROPERTY OF AND IS PROPRIETARY TO THE CHAMBERLAIN GROUP, INC. (CHAMBERLAIN). THIS DRAWING AND/OR INFORMATION SHALL BE KEPT CONFIDENTIAL AND MAY NOT BE REPRODUCED, COPIED, MODIFIED, DISCLOSED, TRANSFERRED, OR MADE AVAILABLE TO OTHERS, EXCEPT WITH THE WRITTEN CONSENT OF CHAMBERLAIN. THIS DRAWING AND/OR ALL COPIES, IF ANY, ARE SUBJECT TO RETURN TO CHAMBERLAIN.

THIS IS A COMPUTER GENERATED DRAWING
DO NOT CHANGE THIS DOCUMENT WITHOUT UPDATING THE COMPUTER DATA BASE.

DO NOT SCALE DRAWING	
TOLERANCE UNLESS OTHERWISE SPECIFIED:	FINISH
±.010	300 DECIMAL
±.005	300 DECIMAL
±.004	ON FRACTIONS
±.30°	ON ANGLES
±.003	ON HOLES
THIS COPY ISSUED:	
DRAWN BY	DATE
CHECKED	10/08/01
APPROVED	

PRELIMINARY

CHAMBERLAIN
CONSUMER PRODUCTS GROUP
A UNIT OF DUCHOSSAIS INDUSTRIES, INC.

NAME: ASSEMBLY, PCB
315MHz UNIVERSAL Rx

MATERIAL: _____

SCALE: _____ PART NUMBER: 195D1615 REV: A