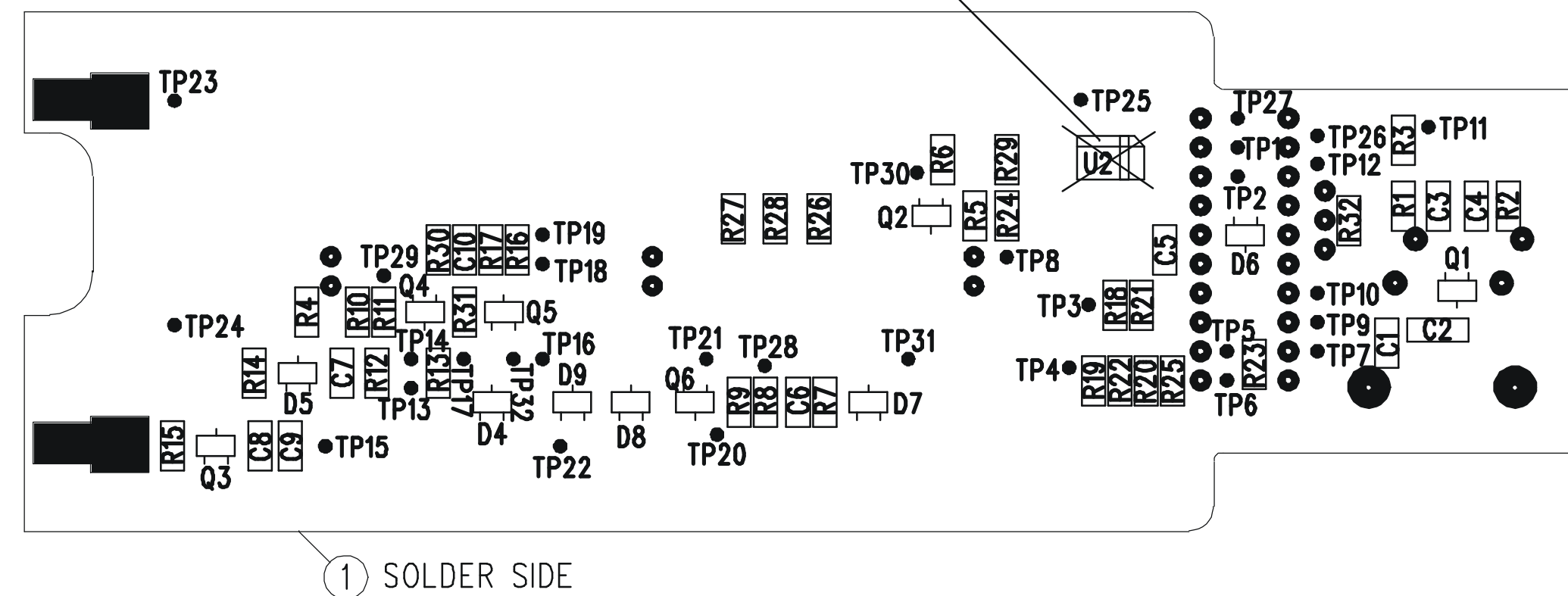


| REFDES | PART NUMBER | DESCRIPTION | VALUE | QTY |
|-----------------------------|-------------|--------------------------------|-------|-----|
| C1,C9 | 30D71020100 | CAPACITOR, SMD0805 | 100PF | 2 |
| C2 | 30D6560001 | CAPACITOR, SMD1206 | 5.6PF | 1 |
| C3 | 30D71500000 | CAPACITOR, SMD0805 | 1.5PF | 1 |
| C4 | 30D76800000 | CAPACITOR, SMD0805 | 6.8PF | 1 |
| C5,C6,C7,C8 | 30D710422R0 | CAPACITOR, SMD0805 | 0.01 | 4 |
| C10 | 30D710522R0 | CAPACITOR, SMD0805 | 0.1 | 1 |
| D1,D2,D3 | 52B0074 | DIODE, LED T1 | | 3 |
| D4,D6 | 52B0065 | DIODE, SMD SIGNAL | | 2 |
| D5 | 52B0066 | DIODE, SMD ZENER | 6.2V | 1 |
| D7,D8,D9 | 52B0070 | DIODE, SMD DUAL COMMON CATHODE | | 3 |
| E1,E2 | 203C0197 | TERMINAL, 12V BATTERY | | 2 |
| L1 | 40B0051-1 | INDUCTOR, VARIABLE | | 1 |
| L2,L3 | 40A0059 | INDUCTOR, AIRWOUND | 30NH | 2 |
| Q1 | 207C0074 | TRANSISTOR, SMD NPN RF | | 1 |
| Q2,Q3,Q6 | 207C0073 | TRANSISTOR, SMD NPN SWITCH | | 3 |
| Q4,Q5 | 207C0069 | TRANSISTOR, SMD PNP SWITCH | | 2 |
| R1 | 311C1525 | RESISTOR, SMD0805 5% | 1.5K | 1 |
| R2,R3,R5,R7,R8 | 311C1535 | RESISTOR, SMD0805 5% | 15K | 5 |
| R4,R14,R31 | 311C1025 | RESISTOR, SMD0805 5% | 1K | 3 |
| R6,R9,R15 | 311C1045 | RESISTOR, SMD0805 5% | 100K | 3 |
| R10,R11 | 311C2035 | RESISTOR, SMD0805 5% | 20K | 2 |
| R12,R13,R21,R22,R23,R24,R25 | 311C1035 | RESISTOR, SMD0805 5% | 10K | 7 |
| R16,R17,R26,R27,R28,R29,R30 | 311C4735 | RESISTOR, SMD0805 5% | 47K | 7 |
| R18,R19,R20 | 311C4725 | RESISTOR, SMD0805 5% | 4.7K | 3 |
| R32 | 311C1055 | RESISTOR, SMD0805 5% | 1M | 1 |
| U1 | 125C0157 | I.C., ROLLCODE KEYLESS ENTRY | | 1 |
| U2 | NOT USED | | | 1 |
| X1 | 33B0039 | RESONATOR, CERAMIC | 4MHZ | 1 |
| 1 | 14D0459 | BOARD, PC | | 1 |

NOTES:

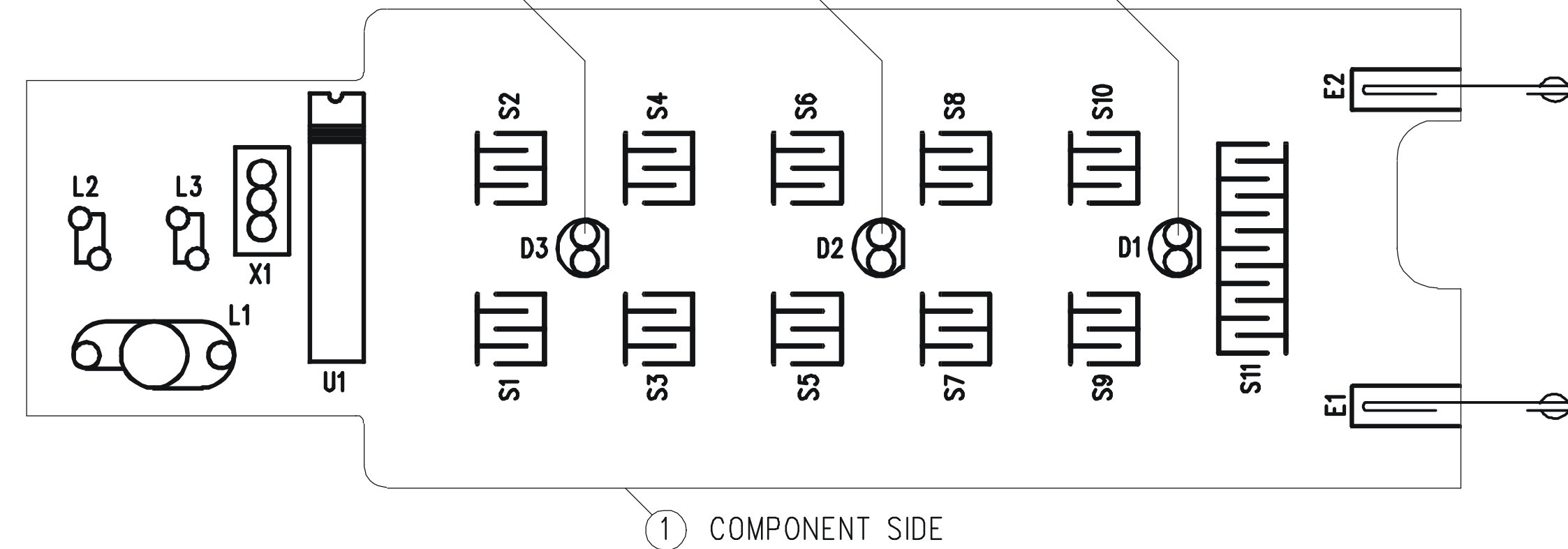
1. ALL LEADED COMPONENTS TO BE INSERTED TO WITHIN 0.020" OF BODY OR PREFORM LIMITS.
2. TEST SPEC.: 190A0439
3. PRECAUTIONS MUST BE TAKEN TO PREVENT FINGER OIL OR OTHER FILMS FROM BEING DEPOSITED ON THE CARBON ELECTRODES DURING HANDLING AND ASSEMBLY.
4. ALL TABS REMOVED DURING DEPANELING TO BE CUT FLUSH TO EDGE OF PCB, BUT NO MORE THAN 0.005" INTO BOARD. ALL SHARP CORNERS MADE BY DEPANELING TOOL MAY HAVE A MAXIMUM OF 0.010" RADIUS.

NOT USED ON THIS ASSEMBLY



① SOLDER SIDE

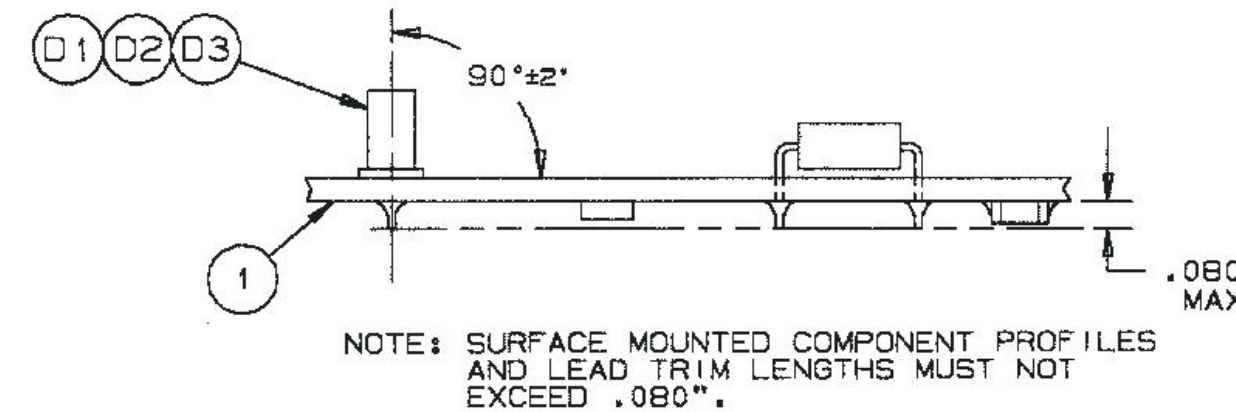
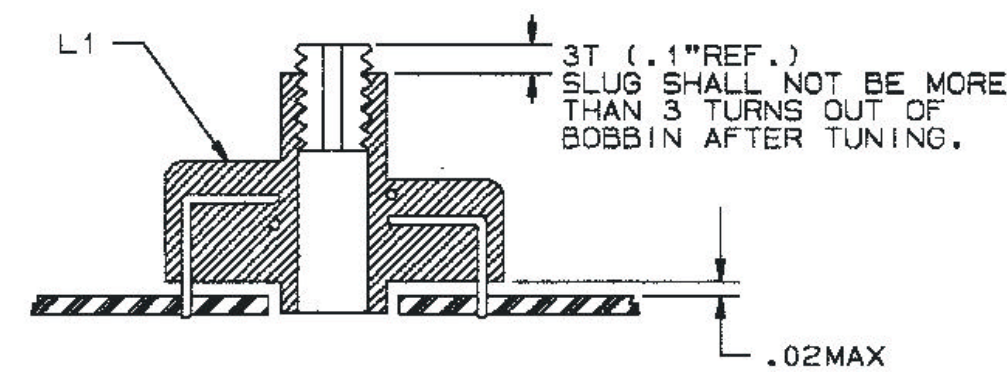
L.E.D. CATHODES



① COMPONENT SIDE

NOTES:

1. ALL LEADED COMPONENTS TO BE INSERTED TO WITHIN 0.020" OF BODY OR PREFORM LIMITS.
2. TEST SPEC.: 190A0439
3. PRECAUTIONS MUST BE TAKEN TO PREVENT FINGER OIL OR OTHER FILMS FROM BEING DEPOSITED ON THE CARBON ELECTRODES DURING HANDLING AND ASSEMBLY.
4. ALL TABS REMOVED DURING DEPANELING TO BE CUT FLUSH TO EDGE OF PCB, BUT NO MORE THAN 0.005" INTO BOARD. ALL SHARP CORNERS MADE BY DEPANELING TOOL MAY HAVE A MAXIMUM OF 0.010" RADIUS.



CONFIDENTIAL
THIS DRAWING AND/OR THE INFORMATION CONTAINED HEREIN IS AND REMAINS THE SOLE PROPERTY OF AND IS PROPRIETARY TO THE CHAMBERLAIN GROUP, INC. CHAMBERLAIN THIS DRAWING AND/OR INFORMATION SHALL BE KEPT CONFIDENTIAL AND MAY NOT BE REPRODUCED, COPIED, MODIFIED, DISCLOSED, TRANSFERRED, OR MADE AVAILABLE TO OTHERS, EXCEPT WITH THE WRITTEN CONSENT OF CHAMBERLAIN. THIS DRAWING AND/OR ALL COPIES, IF ANY, ARE SUBJECT TO RETURN TO CHAMBERLAIN.
THIS IS A COMPUTER GENERATED DRAWING
DO NOT CHANGE THIS DOCUMENT WITHOUT UPDATING THE COMPUTER DATA BASE.

DO NOT SCALE DRAWING
TOLERANCE UNLESS OTHERWISE SPECIFIED
±.010 .000 DECIMAL
±.005 .000 DECIMAL
±1/64 ON FRACTIONS
±.30° ON ANGLES
±.005 ON HOLES
THIS COPY ISSUED:
DRAWN BY: BW DATE: 8/23/01
CHECKED BY: RK DATE: 08/23/01
APPROVED: _____

| | |
|--------------------------------------------------|--------|
| | |
| NAME: ASSY PCB, 315MHZ KEYLESS ENTRY TRANSMITTER | |
| MATERIAL: _____ | |
| PART NUMBER: 195D1591 | REV: A |

| | | |
|-------------------------|--------|---------|
| PART NUMBER: 195D1591 | | REV: A |
| ECN/DATE: R-142 6/10/01 | BY: BW | APP: RK |
| REVISION: RELEASE | | |