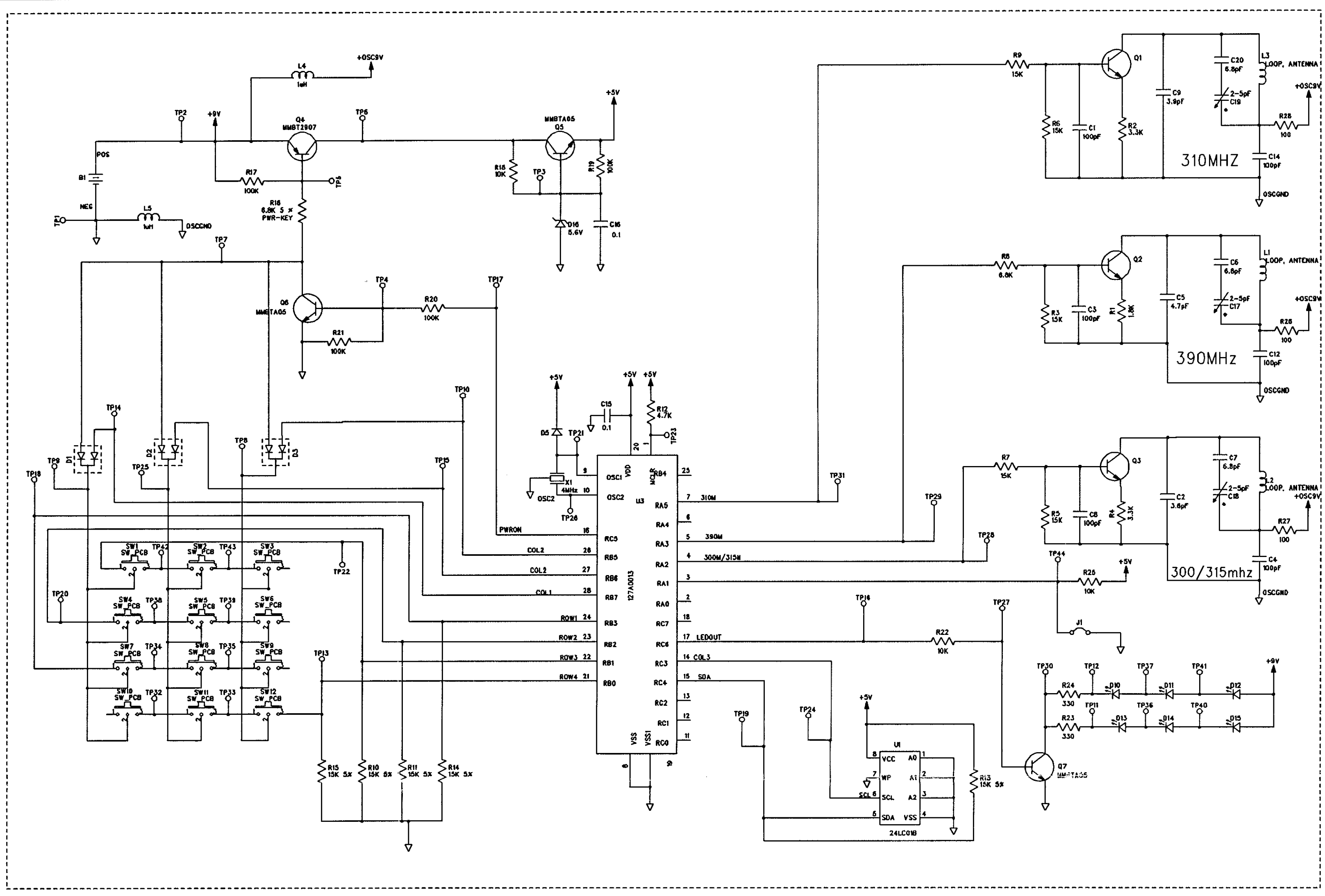


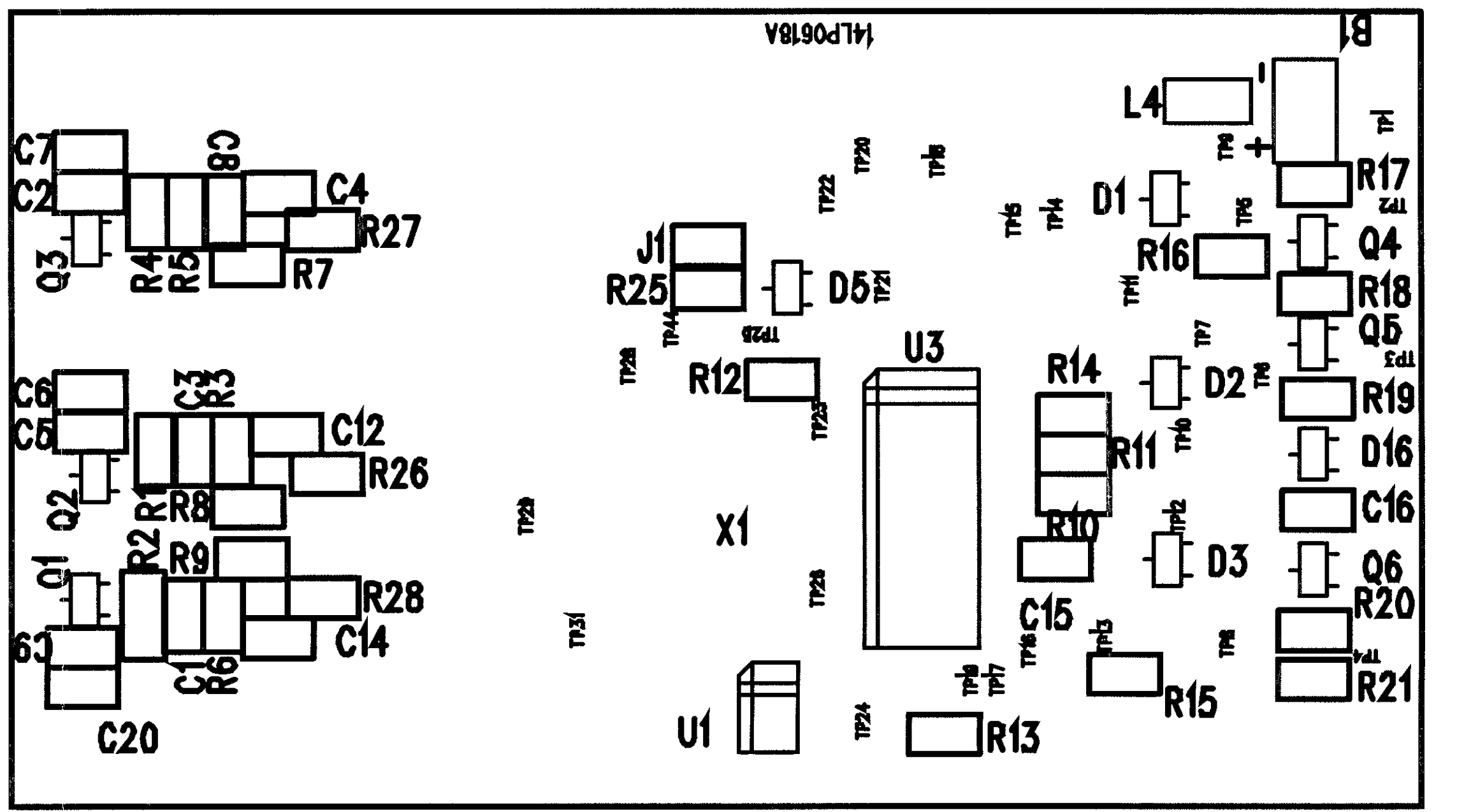
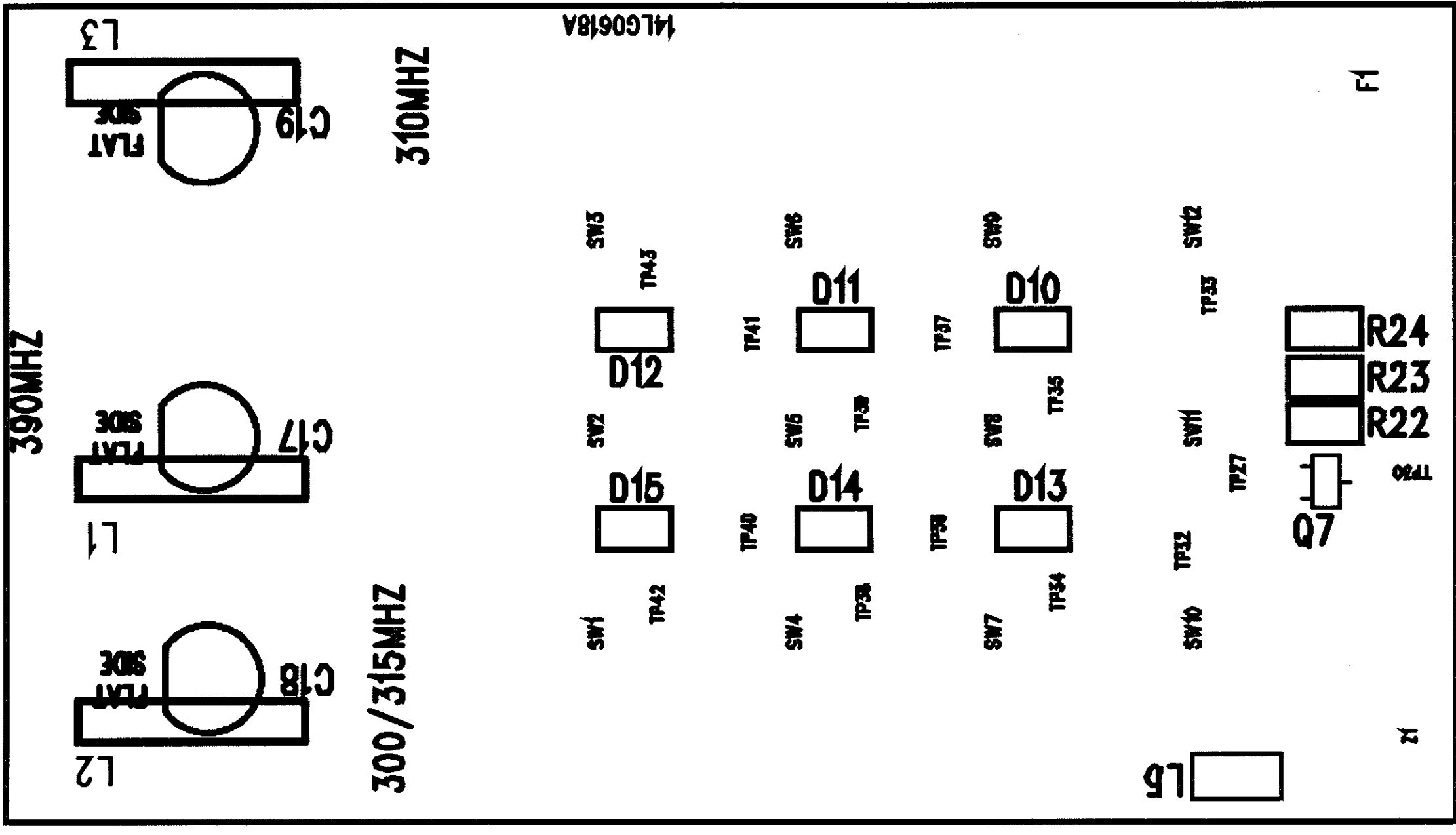
Item	Qty	Reference	Part Number	Description
1	1	B1	023B0099	9V BATTERY CONNECTOR
2	6	C1,3,4,8,12,14	030D71020002	CAP SMD0805 100pF 5% NPO 50V
3	2	C15,16	030D71052R00	CAP SMD 805 .1uF 20% X7R
4	1	C2	030D73603000	CAP SMD0805 3.6pF +/- .1 NPO
5	1	C9	030D73903000	CAP SMD0805 3.9pF +/- .1 NPO
6	1	C5	030D74700002	CAP SMD0805 4.7pF 5% NPO 50V
7	3	C6,7,20	030D76800000	CAP SMD0805 6.8pF 5% NPO
8	1	U1	125C0273	SOIC, SERIAL EEPROM 24LC01B
9	1	U3	127A0013	MICROCONTROLLER CLK1
10	1	Q4	207C0069	TRANSISTOR, SMD PNP SWITCH
11	3	Q5,6,7	207C0073	TRANSISTOR, SMD NPN SWITCH
12	3	Q1,2,3	207C0074	TRANSISTOR, SMD NPN RF
13	1	J1	SEE NOTE 1	
14	3	C17,18,19	030B0431	CAPACITOR, VARIABLE TOP ADJ
15	3	R26,27,28	311C1015	RES SMD0805 100 5%
16	3	R18,22,25	311C1035	RES SMD0805 10K 5%
17	4	R17,19,20,21	311C1045	RES SMD0805 100K 5%
18	10	R3,5,6,7,9,10,11,13,14,15	311C1535	RES SMD0805 15K 5%
19	1	R1	311C1825	RES SMD0805 1.8K 5%
20	2	R2,4	311C3325	RES SMD0805 3.3K 5%
21	2	R23,24	311C3315	RES SMD0805 330 5%
22	1	R12	311C4725	RES SMD0805 4.7K 5%
23	2	R8,16	311C6825	RES SMD0805 6.8K 5%
24	3	L1,2,3	040A0118	LOOP, ANTENNA
25	2	L4,5	040A0104	INDUCTOR 1uH
26	1	D5	052B0065	DIODE, SMD SIGNAL
27	3	D1,2,3	052B0070	DIODE, SMD DUAL COMMON CATHODE
28	1	D16	052B0107	DIODE, SMD ZENER 5.6V
29	6	D10,11,12,13,14,15	052B0114	DIODE, LED SMD805 YELLOW
30	1	X1	CLKR300-004	RESONATOR, SMT 4MHz
31	1	PCB	014D0618	CLICKER KEYPAD PCB



PART NUMBER				195D1579	REV	A
ECH/DATE	BY	APP	REVISION			
R-221	JUC	RK	PRELIMINARY			A
10/03/01						

NOTES

1	J1
CLK1	-
CLKC1	311C0001



2. ALL COMPONENTS TO BE INSERTED TO WITHIN 0.020" OF BODY OR PREFORM LIMITS.
3. LEAD CLIP SPECIFICATION (WIRE LEADED PARTS ONLY): 0.050" MIN, 0.095" MAX.
4. CLEANING OF ASSEMBLY WITH A CLEANING SOLVENT AFTER WAVESOLDER IS NOT PERMITTED.

CONFIDENTIAL

THIS DRAWING AND/OR THE INFORMATION CONTAINED HEREIN IS AND REMAINS THE SOLE PROPERTY OF AND IS PROPRIETARY TO THE CHAMBERLAIN CONSUMER PRODUCTS GROUP, INC. (CHAMBERLAIN). THIS DRAWING AND/OR INFORMATION SHALL BE KEPT CONFIDENTIAL AND MAY NOT BE REPRODUCED, COPIED, WRITTEN, RECORDED, TRANSMITTED, OR MADE AVAILABLE TO OTHERS, EXCEPT WITH THE WRITTEN CONSENT OF CHAMBERLAIN. THIS DRAWING AND/OR ALL COPIES, IF ANY, ARE SUBJECT TO RETURN TO CHAMBERLAIN.

THIS IS A COMPUTER GENERATED DRAWING
DO NOT CHANGE THIS DOCUMENT WITHOUT UPDATING THE COMPUTER DATA BASE.

DO NOT SCALE DRAWING		TOLERANCE UNLESS OTHERWISE SPECIFIED	
		.010 .001 DECIMAL .005 .000 DECIMAL .124 ON FRACTIONS .300 ON ANGLES .003 ON HOLES	
DATE	10/1/01	SCALE	
DRAWN	JUC	CHECKED	
APPROVED		APPROVED	

CHAMBERLAIN
 CONSUMER PRODUCTS GROUP
 A UNIT OF DUCHOSSAIS INDUSTRIES, INC.
 NAME: ASSEMBLY, PCB
 CLICKER CLK1 & CLK1
 MATERIAL:
 PART NUMBER: 195D1579
 REV: A