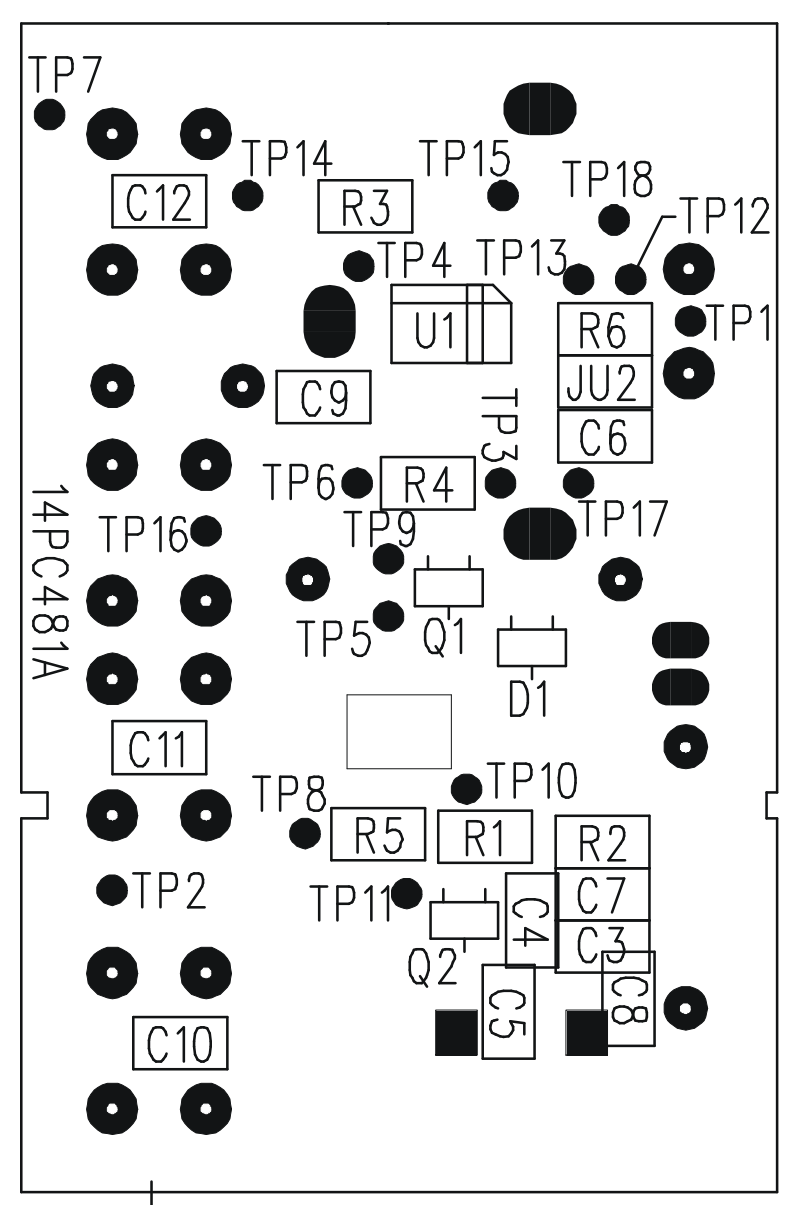
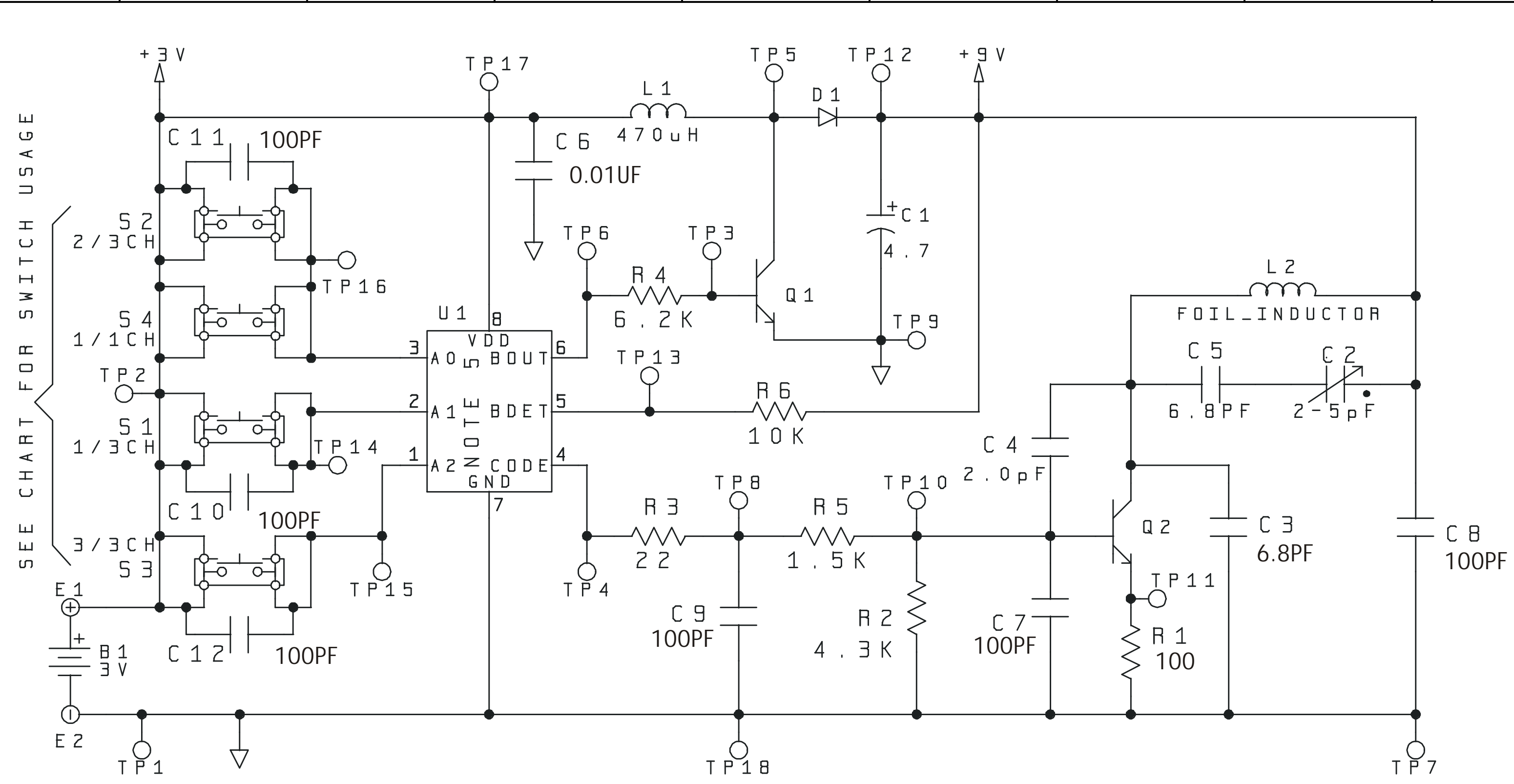


REF DES	PART NUMBER	DESCRIPTION	QTY
<b>CAPACITORS</b>			
C1	30B0477	CAP LYTIC 4.7UF 16V	1
C2	30B0431	CAP VARIABLE 1.8-5.0PF	1
C3	30D76800000	CAP SMD805 6.8PF NPO	1
C4	30D72003000	CAP SMD805 2.0PF NPO	1
C5	30D76800000	CAP SMD805 6.8PF NPO	1
C8,C9,C7	30D71020000	CAP SMD805 100PF NPO	6
C10,C11,C12	30D710422R0	CAP SMD805 0.01UF	1
<b>DIODES</b>			
D1	52B0065	DIODE SOT23	1
<b>INDUCTORS</b>			
L1	40B0092	INDUCTOR LEADED 470UH	1
<b>JUMPERS</b>			
JU1	217A0147	JUMPER LEADED 0.5"	1
JU2	311C0001	JUMPER SMD 0 OHMS	1
JU3	217A0147	JUMPER LEADED 0.25"	1
<b>TRANSISTORS</b>			
Q1	207C0073	XTOR SMD NPN SW	1
Q2	207C0074	XTOR SMD NPN RF	1
<b>RESISTORS</b>			
R1	311C1015	RES SMD805 100	1
R2	311C4325	RES SMD805	1
R3	311C2205	RES SMD805 22	1
R4	311C6225	RES SMD805 6.2K	1
R5	311C1525	RES SMD805 1.5K	1
R6	311C1035	RES SMD805 10K	1
<b>SWITCHES</b>			
S1 - S4	SEE NOTE 5	SW MOMENTARY SPST	
<b>IC</b>			
U1	NOTE 5	SOIC, ATMEL ENCODER	1
<b>BATTERY CONNECTORS</b>			
E2	32D0134	BATTERY CONTACT NEG	1
E1	32C0133	BATTERY CONTACT POS	1
B1	10A0020	BATTERY LITHUM 2032 3V	1
<b>ITEM 1</b>			
	14D0481	PCB 1/3 CH TX	1
	190A0460	PRODUCT SPECIFICATION	
	190A0461	FINAL TEST SPEC	

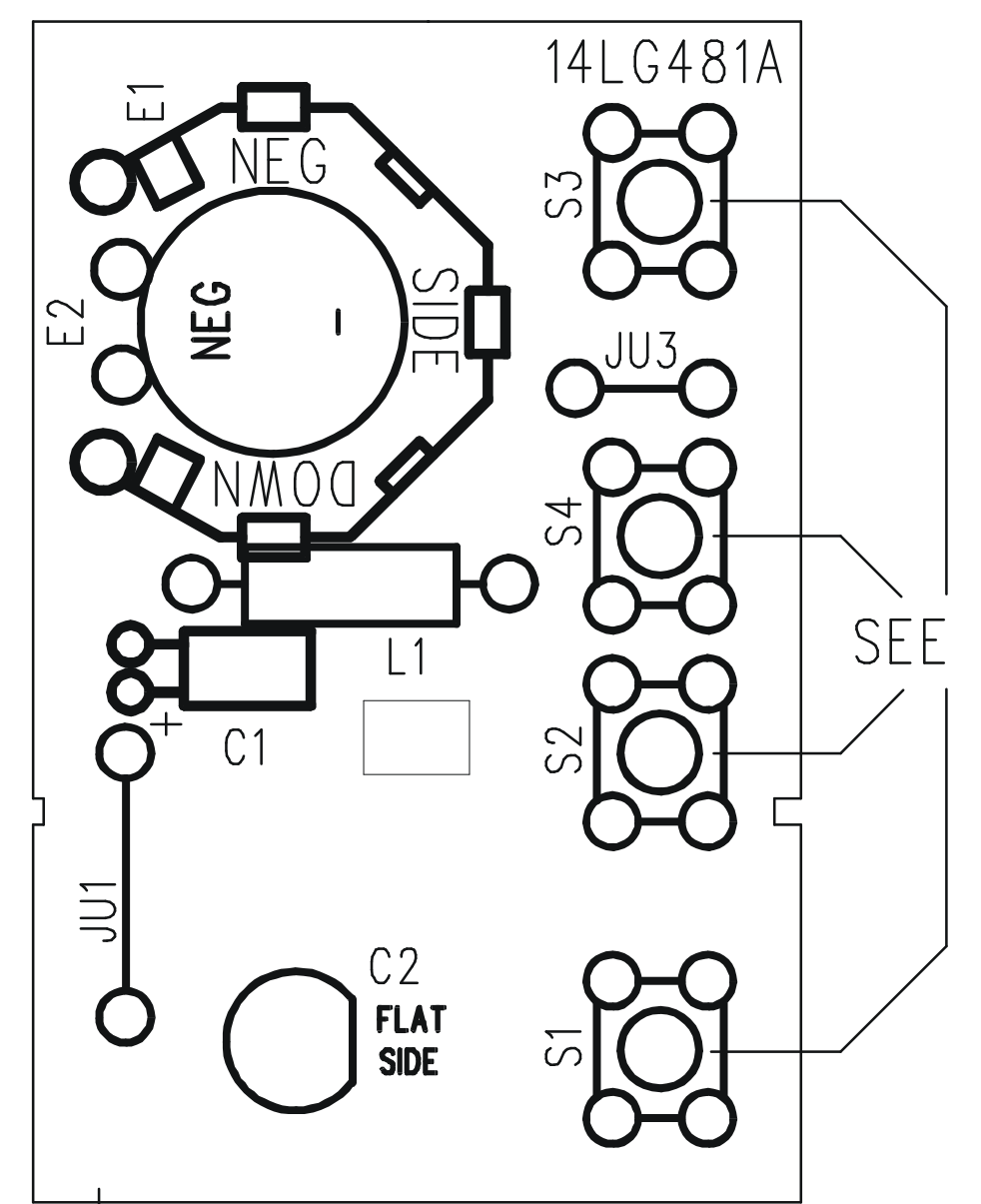
**NOTES:**

- ALL LEADED COMPONENTS TO BE INSERTED TO WITHIN 0.020" OF BODY OR PREFORM LIMITS UNLESS OTHERWISE SPECIFIED.
- LEAD CLIPPING SPEC: 0.050" MIN, 0.095 MAX.
- CLEANING OF ASSEMBLY WITH A CLEANING SOLVENT AFTER SOLDERING IS NOT PERMITTED.
- TEST SPECIFICATION: 190A0460
- COMPONENT USAGE CHART:

	001A5536-1	001A5536-3	001A5536-4
	1ch RC 315MHz	3ch RC 315MHz	1CH BC 315
S1, S2, S3	NOT USED	180B0120-2	NOT USED
S4	180B0120-2	NOT USED	180B0120-2
U1	125C0218	125C0218	125C0224



1 SOLDER SIDE



1 COMPONENT SIDE

PART NUMBER		195D1573		B
EOM/DATE	BY	APP	REVISION	REV
R-143 6/26/01	BW	RK	RELEASE	A
T-050 02/20/02	BW	RK	ADDED 001A5536-4 125C0218 was 125C0130	B

**CHAMBERLAIN CONSUMER PRODUCTS GROUP**  
A UNIT OF DUCHOSSAIS INDUSTRIES, INC.

NAME: ASSEMBLY, BOARD, 1 & 3 CHANNEL 315MHZ ROLLING/BILLOB CODE TX'S

MATERIAL:

CONFIDENTIAL  
THIS DRAWING AND/OR THE INFORMATION CONTAINED HEREIN IS AND REMAINS THE SOLE PROPERTY OF AND IS PROPRIETARY TO THE CHAMBERLAIN GROUP, INC. (CHAMBERLAIN). THIS DRAWING AND/OR INFORMATION SHALL BE KEPT CONFIDENTIAL AND MAY NOT BE REPRODUCED, COPIED, MODIFIED, DISCLOSED, TRANSFERRED, OR MADE AVAILABLE TO OTHERS, EXCEPT WITH THE WRITTEN CONSENT OF CHAMBERLAIN. THIS DRAWING AND/OR ALL COPIES, IF ANY, ARE SUBJECT TO RETURN TO CHAMBERLAIN.

DO NOT SCALE DRAWING

TOLERANCE UNLESS OTHERWISE SPECIFIED:  
±.010 .000 DECIMAL  
±.005 .000 DECIMAL  
ON FRACTIONS  
±.164 ON ANGLES  
±.30° ON HOLES

THIS IS A COMPUTER GENERATED DRAWING  
DO NOT CHANGE THIS DOCUMENT WITHOUT UPDATING THE COMPUTER DATA BASE.

THIS COPY ISSUED:

DRAWN BY	BW	DATE	6/26/01	SCALE		PART NUMBER	195D1573	REV	
CHECKED	RK	DATE	8/28/01						
APPROVED									