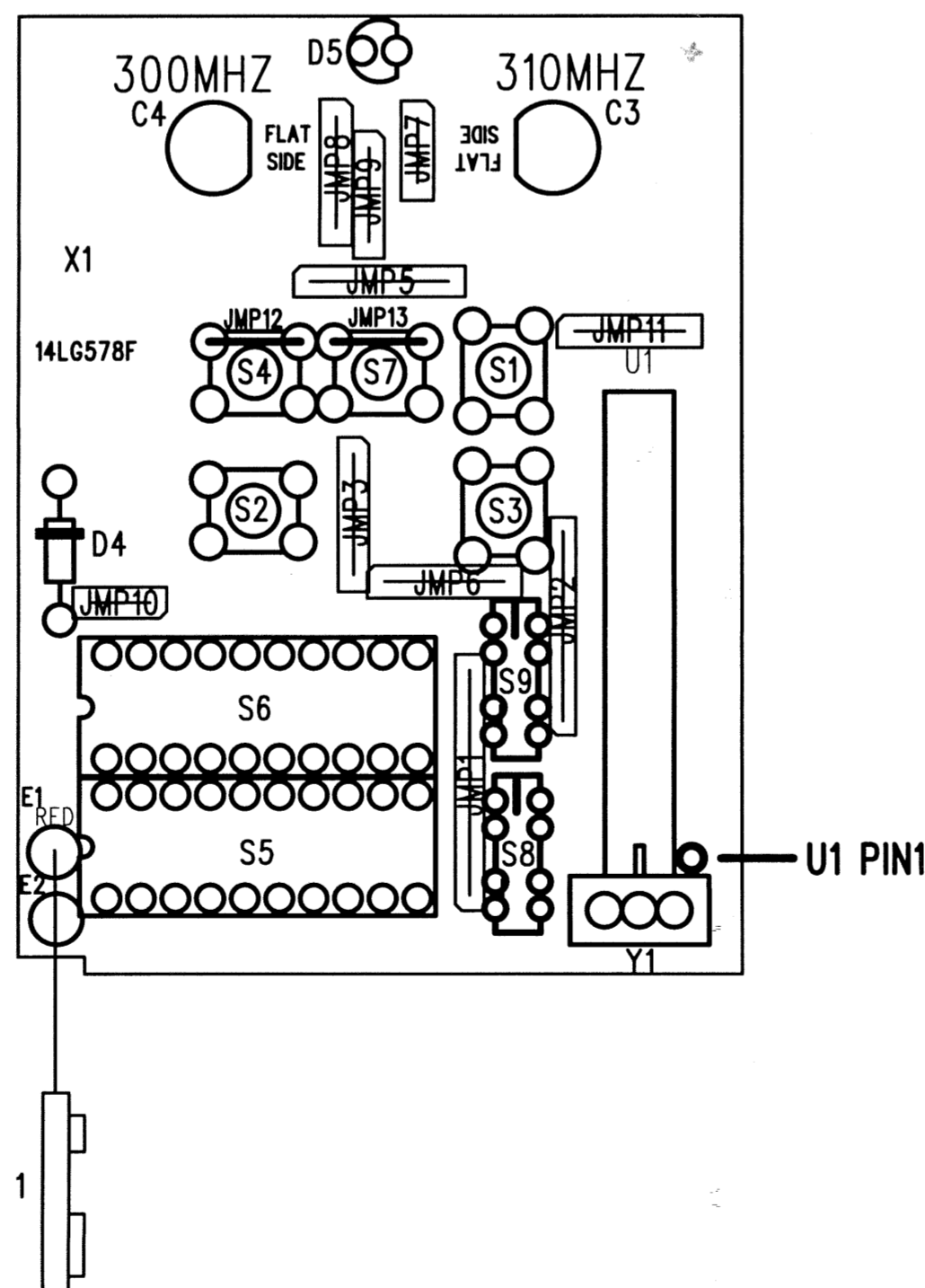
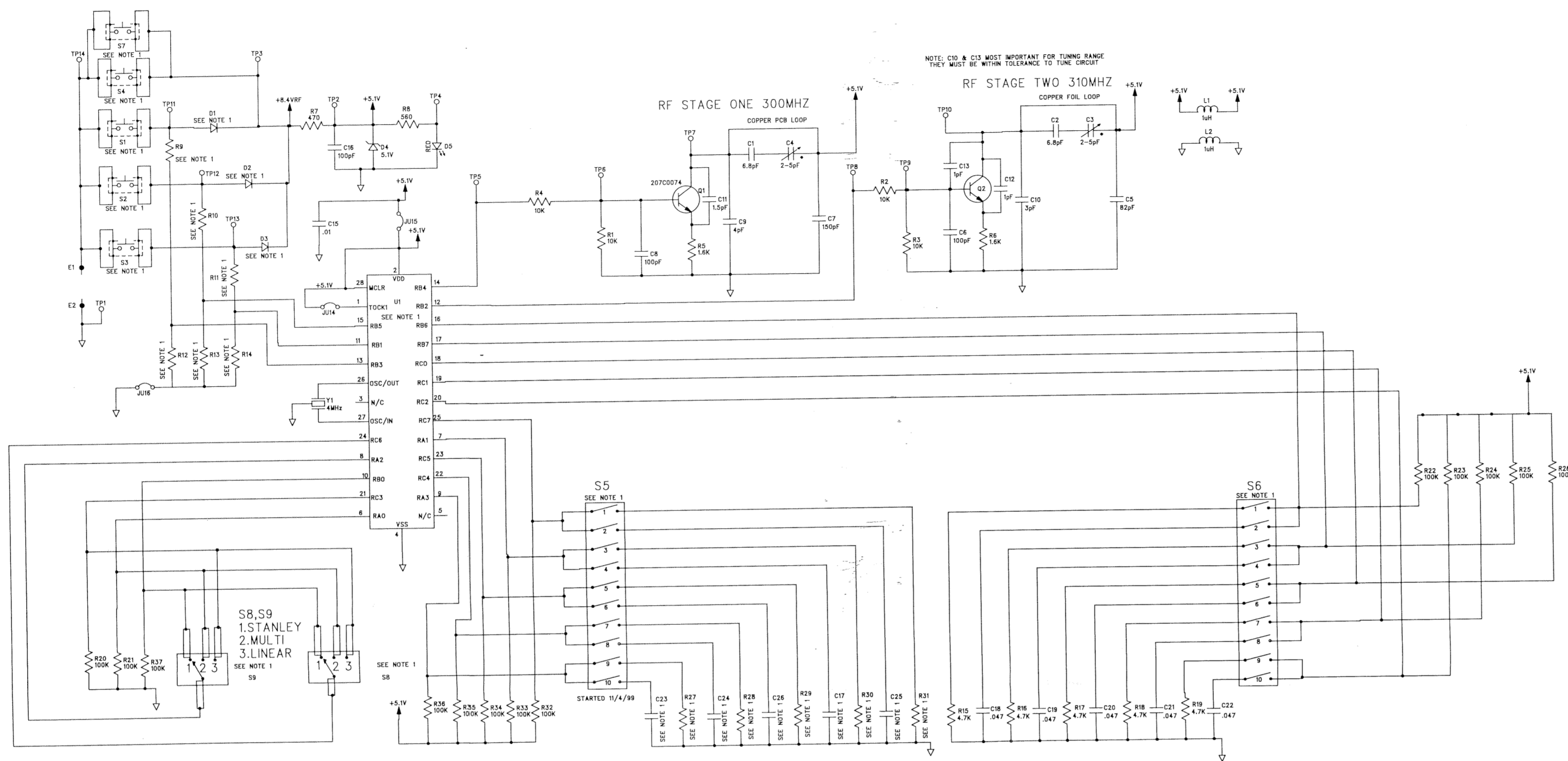
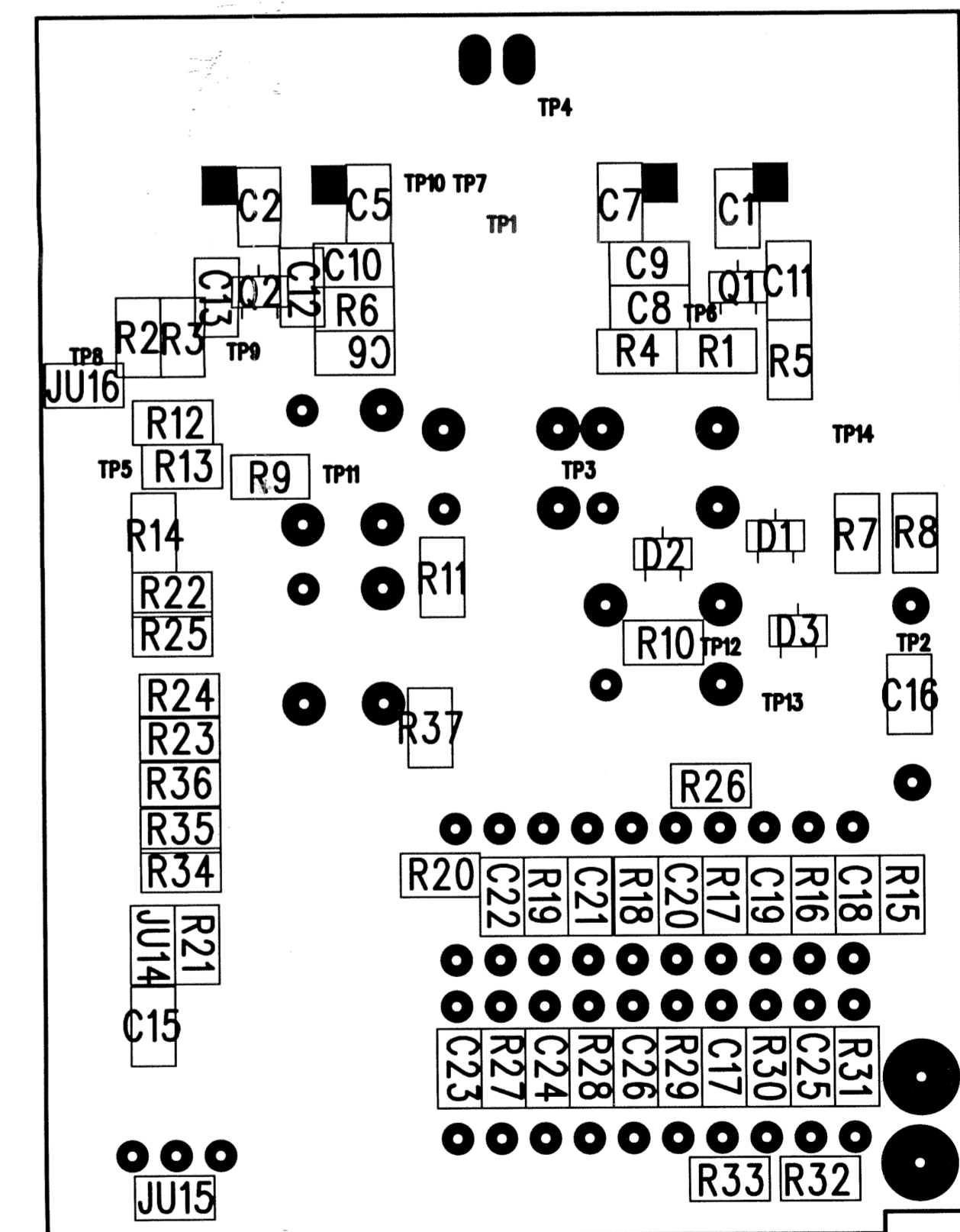


QTY.	ITEM	PART #	DESCRIPTION
1	U1	125C0237	IC UP TRI-CODE
1	S1	180B0120-1	SWITCH, MOM. PB. HI FORCE
1	S2	180B0120-1	SWITCH, MOM. PB. HI FORCE
1	S3	180B0120-1	SWITCH, MOM. PB. HI FORCE
1	S4	180B0120-1	SWITCH, MOM. PB. HI FORCE
1	S7	180B0120-1	SWITCH, MOM. PB. HI FORCE
1	S5	180B0201	SWITCH, 10POS DIP
1	S6	180B0201	SWITCH, 10POS DIP
1	S8	180B3POSA	SWITCH, MINI 3 POS, DPDT
1	S9	180B3POSA	SWITCH, 3 POS, DPDT
1	Q1	207C0074	TRANSISTOR, SMD NPN RF
1	Q2	207C0074	TRANSISTOR, SMD NPN RF
1	C3	30B0431	CAPACITOR, VARIABLE TOP ADJ
1	C4	30B0431	CAPACITOR, VARIABLE TOP ADJ
1	C12	30071000000	CAP SMD0805 1.0pF 5% NPO
1	C13	30071000000	CAP SMD0805 1.0pF 5% NPO
1	C6	30071020100	CAP SMD0805 100pF 5% NPO
1	C8	30071020100	CAP SMD0805 100pF 5% NPO
1	C16	30071020100	CAP SMD0805 100pF 5% NPO
1	C15	300710422R0	CAP SMD0805 0.01uF 20% X7R
1	C11	30071500000	CAP SMD0805 1.5pF 5% NPO
1	C7	30071500000	CAP SMD0805 1.5pF 5% NPO
1	C10	30073000000	CAP SMD0805 3.0pF 5% NPO
1	C9	30074000000	CAP SMD0805 4.0pF 5% NPO
1	C17	300747412R0	CAP SMD0805 0.047uF 10% X7R
1	C18	300747412R0	CAP SMD0805 0.047uF 10% X7R
1	C19	300747412R0	CAP SMD0805 0.047uF 10% X7R
1	C20	300747412R0	CAP SMD0805 0.047uF 10% X7R
1	C21	300747412R0	CAP SMD0805 0.047uF 10% X7R
1	C22	300747412R0	CAP SMD0805 0.047uF 10% X7R
1	C23	300747412R0	CAP SMD0805 0.047uF 10% X7R
1	C24	300747412R0	CAP SMD0805 0.047uF 10% X7R
1	C25	300747412R0	CAP SMD0805 0.047uF 10% X7R
1	C26	300747412R0	CAP SMD0805 0.047uF 10% X7R
1	C1	30076800000	CAP SMD0805 6.8pF 5% NPO
1	C2	30076800000	CAP SMD0805 6.8pF 5% NPO
1	C5	30078210000	CAP SMD0805 8.2pF 5% NPO
1	JU14	311C0001	RES SMD0805 ZERO OHM
1	JU15	311C0001	RES SMD0805 ZERO OHM
1	JU16	311C0001	RES SMD0805 ZERO OHM
1	R1	311C1035	RES SMD0805 10K 5%
1	R2	311C1035	RES SMD0805 10K 5%
1	R3	311C1035	RES SMD0805 10K 5%
1	R4	311C1035	RES SMD0805 10K 5%
1	R9	311C1035	RES SMD0805 10K 5%
1	R10	311C1035	RES SMD0805 10K 5%
1	R11	311C1035	RES SMD0805 10K 5%
1	R12	311C1035	RES SMD0805 10K 5%
1	R13	311C1035	RES SMD0805 10K 5%
1	R14	311C1035	RES SMD0805 10K 5%
1	R20	311C1045	RES SMD0805 100K 5%
1	R21	311C1045	RES SMD0805 100K 5%
1	R22	311C1045	RES SMD0805 100K 5%
1	R23	311C1045	RES SMD0805 100K 5%
1	R24	311C1045	RES SMD0805 100K 5%
1	R25	311C1045	RES SMD0805 100K 5%
1	R26	311C1045	RES SMD0805 100K 5%
1	R32	311C1045	RES SMD0805 100K 5%
1	R33	311C1045	RES SMD0805 100K 5%
1	R34	311C1045	RES SMD0805 100K 5%
1	R35	311C1045	RES SMD0805 100K 5%
1	R36	311C1045	RES SMD0805 100K 5%
1	R37	311C1045	RES SMD0805 100K 5%
1	R5	311C2225	RES SMD0805 1.6K 5%
1	R6	311C2225	RES SMD0805 1.6K 5%
1	R7	311C4715	RES SMD0805 470 5%
1	R15	311C4725	RES SMD0805 4.7K 5%
1	R16	311C4725	RES SMD0805 4.7K 5%
1	R17	311C4725	RES SMD0805 4.7K 5%
1	R18	311C4725	RES SMD0805 4.7K 5%
1	R19	311C4725	RES SMD0805 4.7K 5%
1	R27	311C4725	RES SMD0805 4.7K 5%
1	R28	311C4725	RES SMD0805 4.7K 5%
1	R29	311C4725	RES SMD0805 4.7K 5%
1	R30	311C4725	RES SMD0805 4.7K 5%
1	R31	311C4725	RES SMD0805 4.7K 5%
1	R8	311C5615	RES SMD0805 560 5%
1	Y1	33B0044	RESONATOR, CERAMIC 4MHz
1	L1	40B0039-451	INDUCTOR, RF CHOKE 1uH
1	L2	40B0039-451	INDUCTOR, RF CHOKE 1uH
1	D4	52A0041	DIODE, ZENER 5.1V
1	D1	52B0065	DIODE, SMD SIGNAL
1	D2	52B0065	DIODE, SMD SIGNAL
1	D3	52B0065	DIODE, SMD SIGNAL
1	D5	52B0079	DIODE, LED T1 RED

1. ALL COMPONENTS TO BE INSERTED TO WITHIN 0.020TH OF BODY PREFORM LIMITS.
2. LEAD CLIP SPECIFICATIONS (WIRE LEAD PARTS ONLY) 0.50TH MIN., 0.095TH MAX.
3. CLEANING OF ASSEMBLY WITH A CLEANING SOLVENT AFTER WAVE SOLDER IS NOT PERMITTED.
4. S8 AND S9 HAVE TO BE INSERTED IN ONE DIRECTION ONLY.



REVISIONS		DWG. NO.	195D1420
LTR	DESCRIPTION	ECN #	DATE
A	INITIAL RELEASE	-	3/30/01
			APP
			-



CONFIDENTIAL		UNLESS OTHERWISE SPECIFIED DIMENSIONS ARE IN INCHES		THE CHAMBERLAIN GROUP, INC. LINK DOOR CONTROLS, INC.	
THIS DRAWING IS THE SOLE PROPERTY OF, AND IS PROPRIETARY TO, THE CHAMBERLAIN GROUP, INC. THIS DRAWING AND/OR INFORMATION SHALL BE KEPT CONFIDENTIAL, AND MAY NOT BE REPRODUCED, MODIFIED, DISCLOSED, OR MADE AVAILABLE TO OTHERS, WITHOUT THE EXPRESS WRITTEN CONSENT OF CHAMBERLAIN.		TOLERANCES: DECIMALS FRACTION ± 1/64 .X ± .015 ANGULAR ± 30' .XXX ± .005		845 Lorch Ave, Elmhurst, IL 60126 2111 Lakeland Ave, Rockton, IL 61170	
DRAWN BY: R. UHL		DATE: 3/30/01		TITLE: TRI-CODE TRANSMITTER	
CHECKED BY:		DATE:		1, 2 AND 4 CH. 300 AND 310MHZ	
APPROVED BY:		DATE:		DWG. NO. 195D1420	
MATERIAL:		TREATMENT:		SIZE USED ON: D TRICODE	
FINISH:		APPROVED BY:		SCALE: NONE	
		REL. DATE: 3/30/01		SHEET 1 OF 1	
				REV. A	