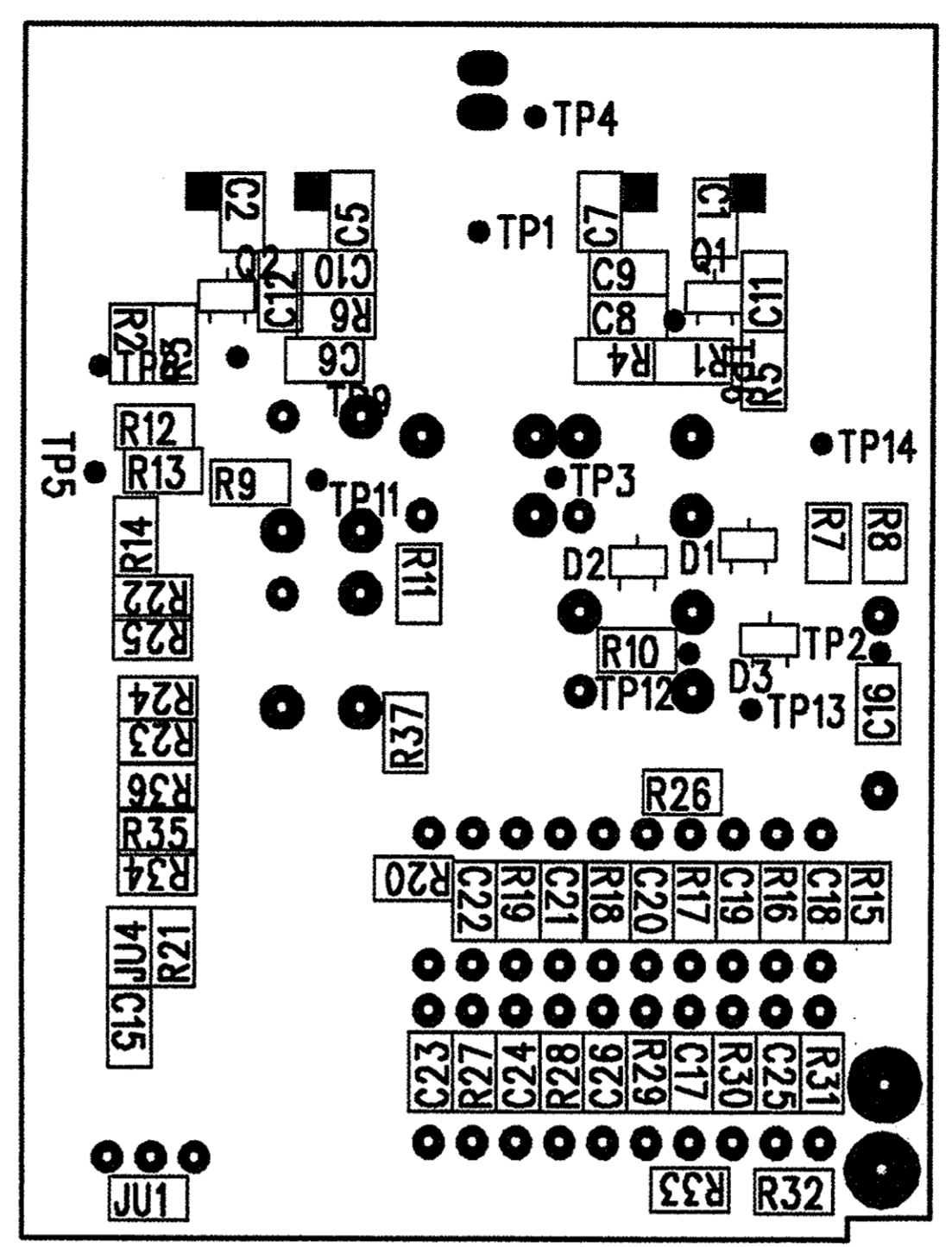


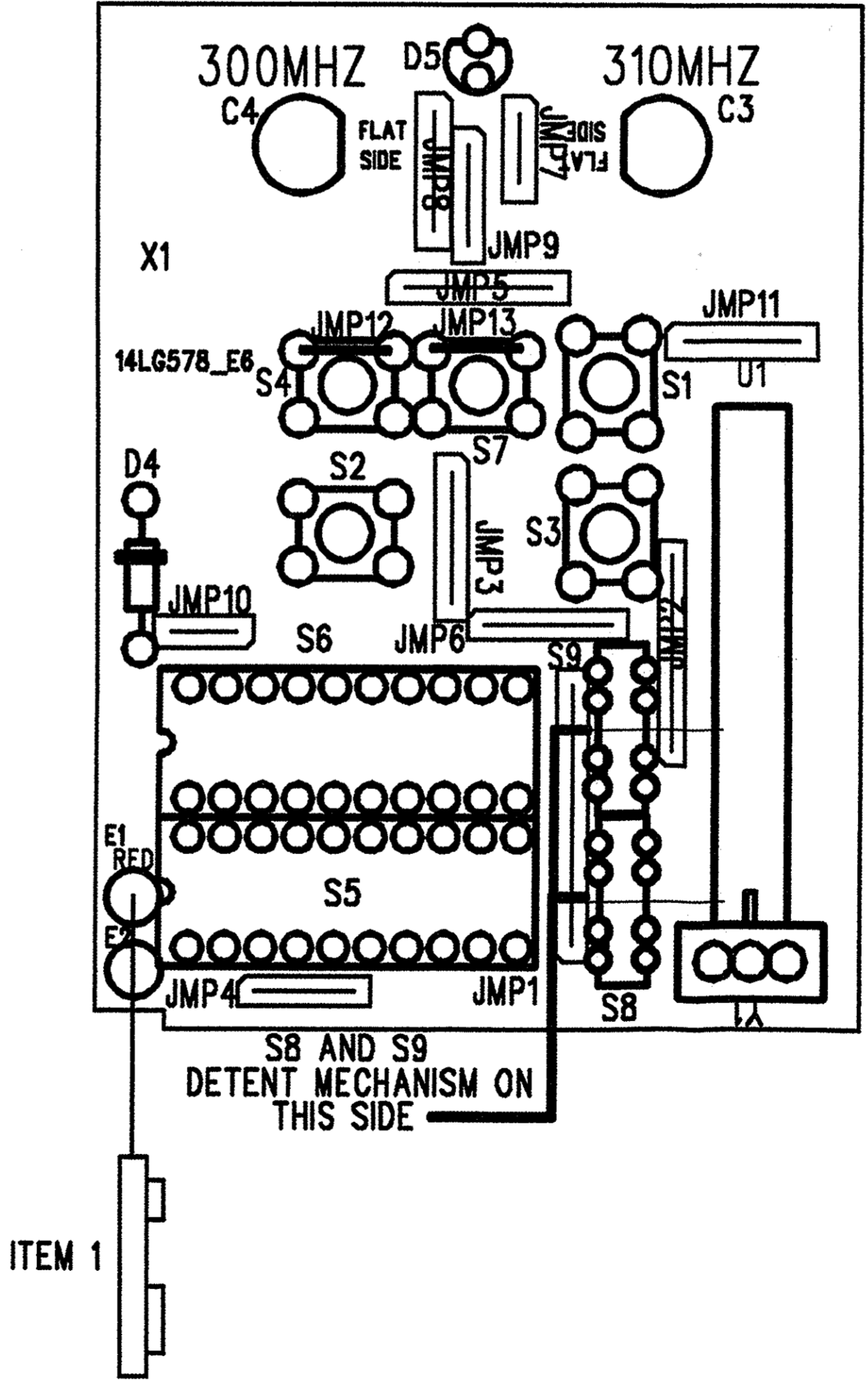
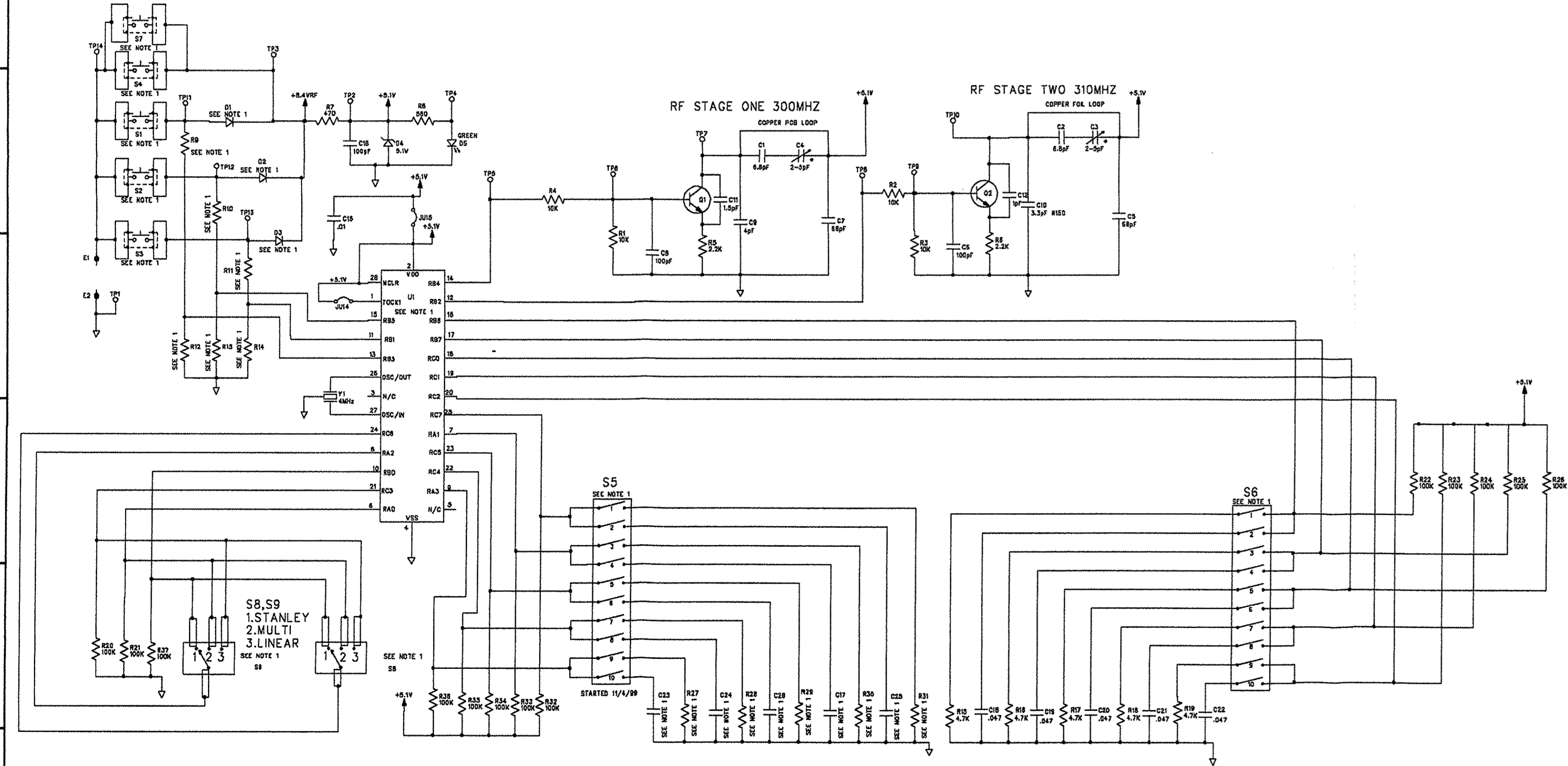
Reference	PART NUMBER	DESCRIPTION	QTY
C10	030D73300010	CAP SMD0805 3.3pF 5% N150	1
C11	030D71500000	CAP SMD0805 1.5pF 5% NPO	1
C12	030D71000000	CAP SMD0805 1.0pF 5% NPO	1
C1-2	030D76800000	CAP SMD0805 6.8pF 5% NPO	2
C15	030D710422R0	CAP SMD0805 0.01uF 20% X7R	1
C17 C25	SEE NOTE 1	CAP SMD0805 0.047uF 10% X7R	2
C19-22 C18	030D747412R0	CAP SMD0805 0.047uF 10% X7R	5
C24 C23 C26	SEE NOTE 1	CAP SMD0805 0.047uF 10% X7R	3
C3-4	30B0431	CAPACITOR, VARIABLE TOP ADJ	2
C5 C7	030D76810000	CAP SMD0805 68pF 5% NPO	2
C8 C9 C16	030D71020100	CAP SMD0805 100pF 5% NPO	3
C9	030D74000000	CAP SMD0805 4.0pF 5% NPO	1
D1 D3	SEE NOTE 1	DIODE, SMD SIGNAL	2
D2	SEE NOTE 1	DIODE, SMD SIGNAL	1
D4	52A0041	DIODE, ZENER 5.1V	1
D5	52B0079-1	DIODE, LED T1 GREEN	1
E1-2	023B0099	BATTERY CONNECTOR	1
JU14-15	311C0001	RES SMD0805 ZERO OHM	2
Q1-2	207C0074	TRANSISTOR, SMD NPN RF	2
R1-4	311C1035	RES SMD0805 10K 5%	4
R15-19	311C4725	RES SMD0805 4.7K 5%	5
R20-26 R32-37	311C1045	RES SMD0805 100K 5%	13
R27-31	SEE NOTE 1	RES SMD0805 4.7K 5%	5
R5-6	311C2225	RES SMD0805 2.2K 5%	2
R7	311C4715	RES SMD0805 470 5%	1
R8	311C5615	RES SMD0805 560 5%	1
R9-14	SEE NOTE 1	RES SMD0805 10K 5%	6
S1-4 S7	SEE NOTE 1	SWITCH, MOM. PB, HI FORCE	5
S5-6	SEE NOTE 1	SWITCH 10POS DIP	2
S8	SEE NOTE 1	SWITCH MINI 3 POS DPTT	1
S9	SEE NOTE 1	SWITCH 3 POS DPTT	1
U1	SEE NOTE 1	IC uP TRI-CODE	1
Y1	33B0044	RESONATOR, CERAMIC 4MHz	1
ITEM 1	014D0578	PCB TRICODE	1

NOTE 1:

REF DESC	ONE CHANNEL	TWO CHANNEL	FOUR CHANNEL
U1	125C0237	125C0237	125C0254
S1	NOT USED	180B0120	180B0120
S2	NOT USED	NOT USED	180B0120
S3	NOT USED	NOT USED	180B0120
S4	NOT USED	180B0120	180B0120
S5	NOT USED	180B0201	180B0201
S6	180B0206	180B0201	180B0201
S7	180B0120	NOT USED	NOT USED
S8	NOT USED	180B0206	180B0206
S9	180B0206	180B0206	180B0206
R9	NOT USED	311C1035	311C1035
R10	NOT USED	NOT USED	311C1035
R11	NOT USED	NOT USED	311C1035
R12	NOT USED	311C1035	311C1035
R13	NOT USED	NOT USED	311C1035
R27-31	NOT USED	311C4725	311C4725
R14	NOT USED	NOT USED	311C1035
C17,23-26	NOT USED	030D747412R0	030D747412R0
D1	NOT USED	52B0065	52B0065
D2	NOT USED	NOT USED	52B0065
D3	NOT USED	NOT USED	52B0065
JMP12	217A0147	NOT USED	NOT USED
JMP13	NOT USED	217A0147	217A0147



PART NUMBER				A
CON/DATE	BY	APP	REVISION	REV
			RELEASE	



- ALL COMPONENTS TO BE INSERTED TO WITHIN 0.020TH OF BODY PREFORM LIMITS.
- LEAD CLIP SPECIFICATION (WIRE LEADED PARTS ONLY) 0.050TH MIN, 0.095TH MAX.
- CLEANING OF ASSEMBLY WITH A CLEANING SOLVENT AFTER WAVESOLDER IS NOT PERMITTED.
- S8 AND S9 HAVE TO BE INSERTED IN ONE DIRECTION ONLY

CONFIDENTIAL
THIS DRAWING AND/OR THE INFORMATION CONTAINED HEREIN IS AND REMAINS THE SOLE PROPERTY OF, AND IS PROPRIETARY TO, THE CHAMBERLAIN GROUP, INC. (CHAMBERLAIN). THIS DRAWING AND/OR INFORMATION SHALL BE KEPT CONFIDENTIAL AND MAY NOT BE REPRODUCED, COPIED, MOVED, DISCLOSED, TRANSMITTED, OR MADE AVAILABLE TO OTHERS, WITHOUT THE WRITTEN CONSENT OF CHAMBERLAIN. THIS DRAWING AND/OR ALL COPIES, IF ANY, ARE SUBJECT TO RETURN TO CHAMBERLAIN.

THIS IS A COMPUTER GENERATED DRAWING
DO NOT CHANGE THIS DOCUMENT WITHOUT UPDATING THE COMPUTER DATA BASE

DO NOT SCALE DRAWING
TOLERANCE UNLESS OTHERWISE SPECIFIED
FINISH
SCALE
PART NUMBER
REV

CHAMBERLAIN
CONSUMER PRODUCTS GROUP
A UNIT OF DUCHOSSIS INDUSTRIES, INC.

NAME
Tri-Code Transmitter
1,2 and 4ch 300 and 310MHz

DRAWN BY
CHECKED
APPROVED

SCALE
PART NUMBER
REV

195D1420
A