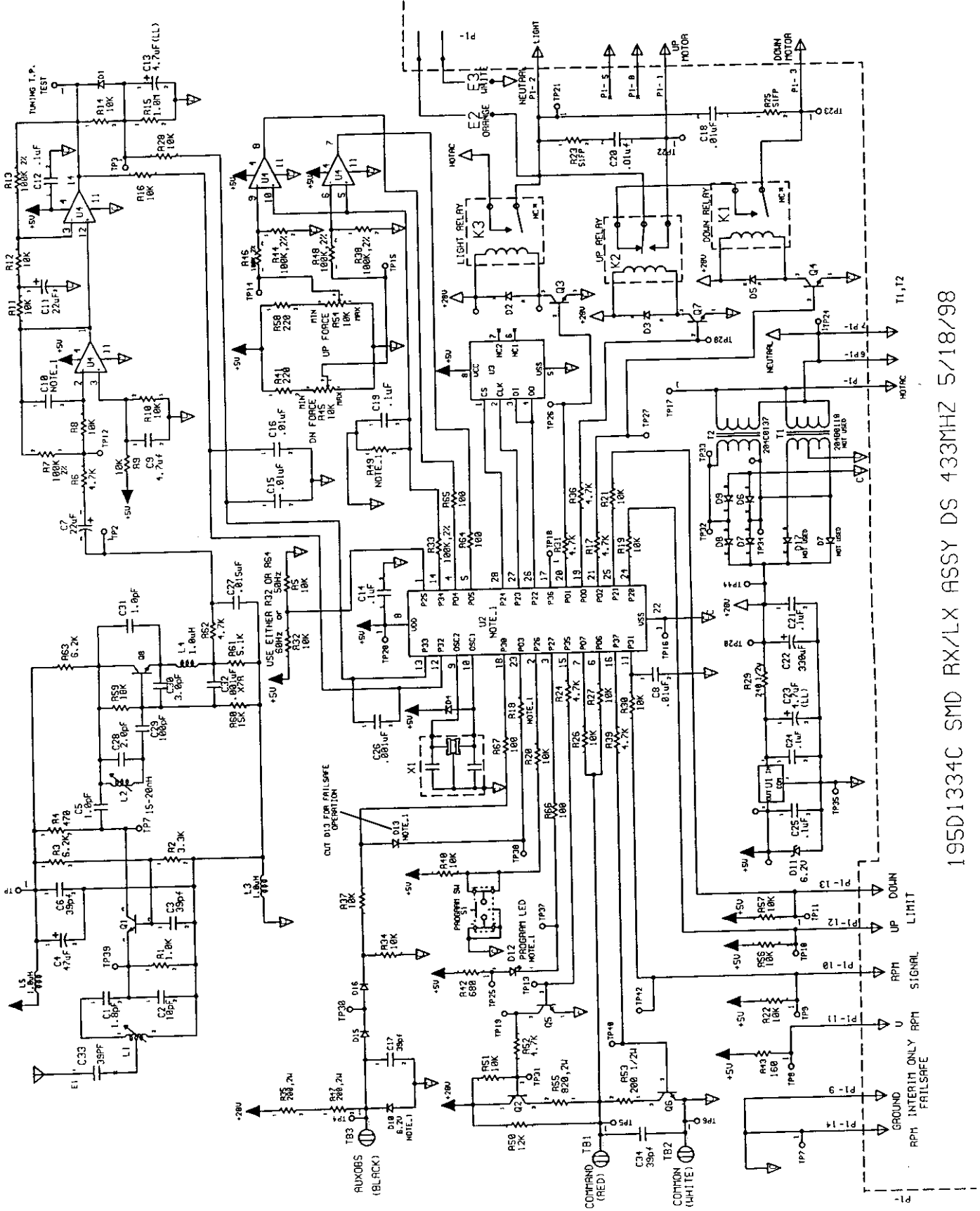
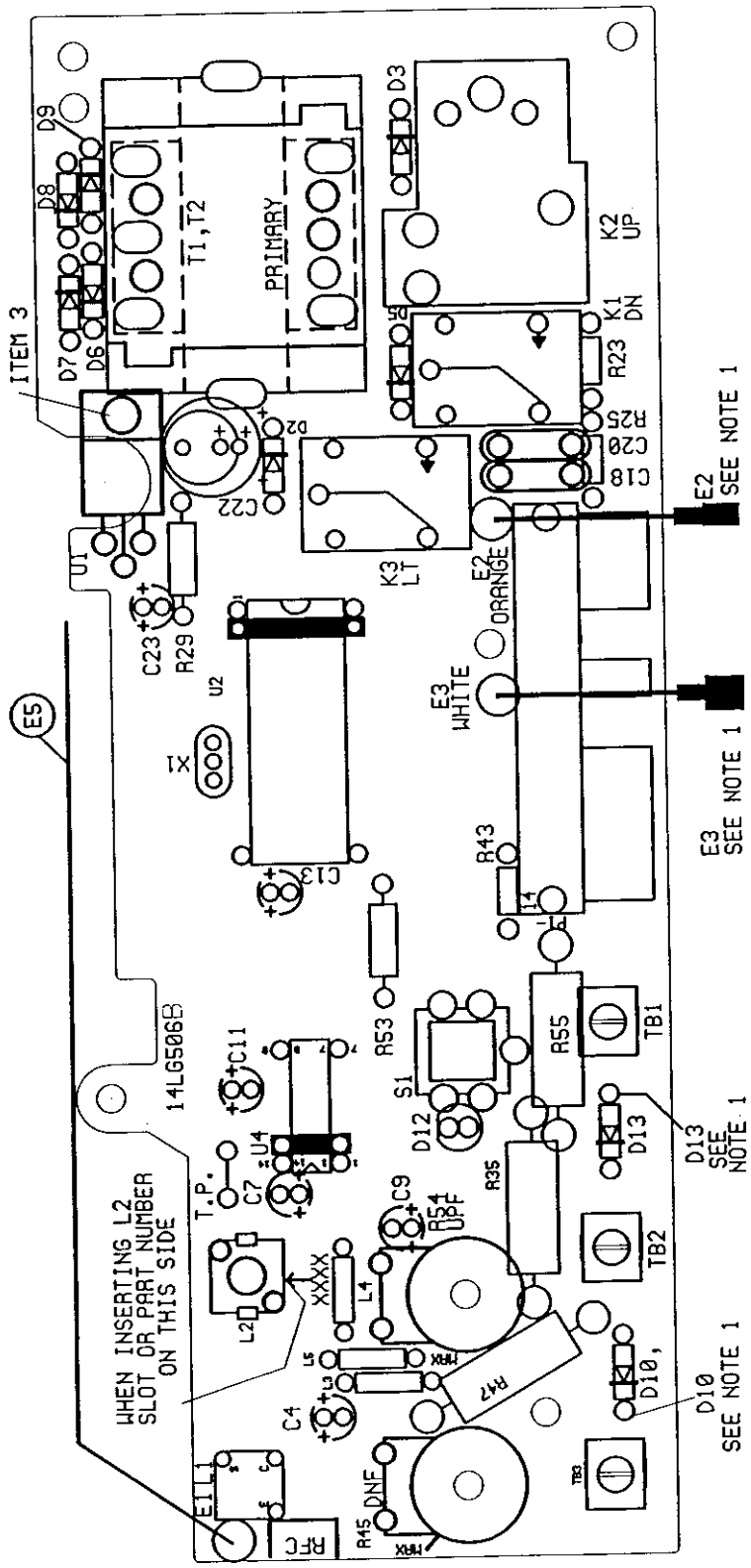
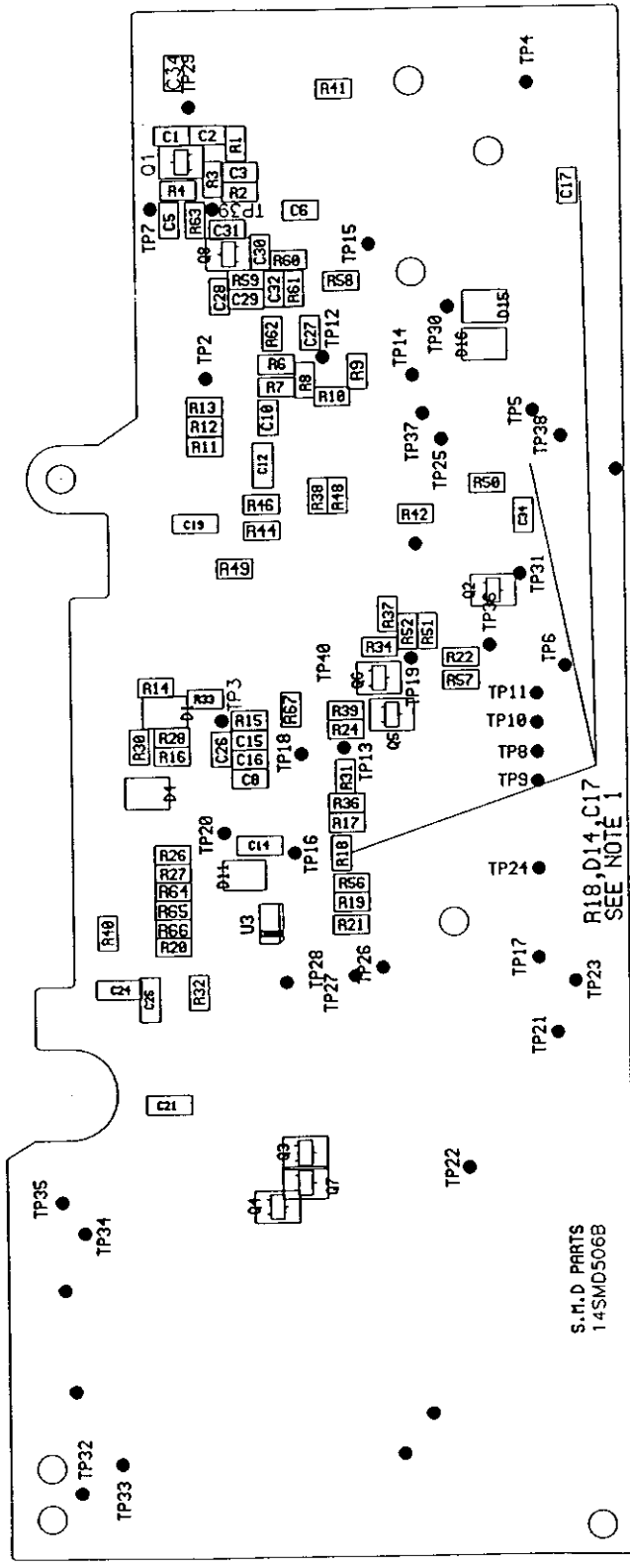


### 3. SCHEMATIC



195D1334C SMD RX/LX ASSY DS 433MHZ 5/18/98





S.M.D PARTS  
14SMD506B

R18, D14, C17  
SEE NOTE 1

