

Lift-Master

SECURITY+

Model 976LM, 976LMC Security+ Wireless Keyless Entry

To comply with FCC/IC rules, adjustment or modification of receiver and/or transmitter is prohibited, except for changing the code setting and replacing the transmitter battery. THERE ARE NO OTHER USER SERVICEABLE PARTS.

Features

For use with any **SECURITY+** compatible garage door opener receiver.

Personalized Password: Up to 10,000 possible combinations. Password can be easily changed if desired.

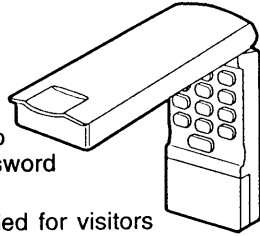
Temporary password: Can be added for visitors or service persons. This temporary password can be limited to a programmable number of hours or a programmable number of entries.

Rolling Code: While your password remains constant until you change it, the code between the Keyless Entry and the receiver changes with each use, randomly accessing over 100 billion new codes.

Operation: Opener activates when 4-digit password and Enter button is pressed.

If wrong numbers are accidentally pressed, correction can be made immediately. The Enter button will transmit only the last four digits.

The Keypad will blink for 15 seconds after the password is transmitted. During that time the Enter button can be used to stop or reverse the door travel.



WARNING

Children operating or playing with a garage door opener can injure themselves or others. *The garage door could close and cause serious injury or death.* Do not allow children to operate the wall push button(s) or remote control(s).

A moving garage door could injure or kill someone under it. Activate the opener only when you can see the door clearly, it is free of obstructions, and is properly adjusted.

Installation

Choose a convenient location for installation. It should be at eye level, reachable by the shortest person who will use it, and within sight of the door.

For a one-piece door, use the optional location shown in the illustration (on the edge of the door jamb) to avoid injury as the door swings up and out.

Test the reception of the Keyless Entry by operating your opener from the selected location. Change the location if necessary.

Remove the battery compartment cover to access the bottom mounting hole:

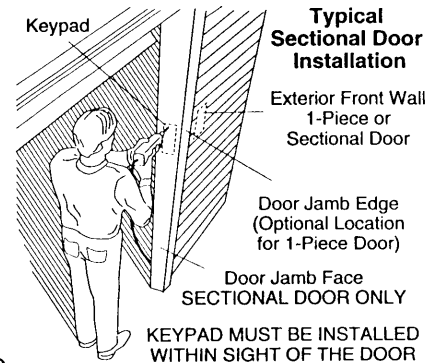
- Insert a small phillips screw driver into the small hole at the bottom of the cover and gently pull outward to loosen.
- Slide the cover down to remove.

Center the keypad at eye level against the selected location. Mark 4-1/4" up the centerline from the bottom and drill a 1/8" pilot hole. Install top mounting screw, allowing 1/8" to protrude above surface. Position keypad on screw head and adjust for snug fit.

With cover open so bottom mounting hole is visible, use a punch to mark hole. Remove keypad and drill 1/8" pilot hole. Replace keypad and complete installation with bottom screw, using care to avoid cracking plastic housing. *Do not overtighten.*

To replace the battery cover, insert the lip at the top and snap in place.

Side two contains instructions for changing the personal entry password and setting a temporary password.

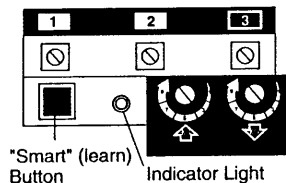


Setting the Personal Entry Password

We recommend that you program your personal password now, before you install the Keyless Entry. Then you can test the reception at the mounting location before you proceed further.

1. Choose a 4-digit personal entry password using the numbers from 0 to 9 (a number can be used more than once, for example, 4,0, 4,1).
2. Press the four buttons for the password, then press and *hold* the Enter button. The indicator light on the door opener panel will blink.
3. Press and release the "Smart" (learn) button on the door opener panel. After the opener lights blink, release the Enter button.

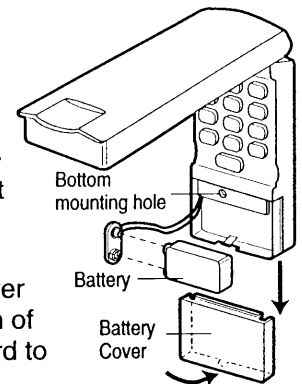
SECURITY+ Garage Door Opener



Test by pressing the the password, then press Enter. The door should begin to move.

You may also program the Keyless Entry from a multifunction door control, as follows:

1. *With the door closed*, enter the four digit password desired, then press and hold Enter.
2. Press and hold the light button on the door control.
3. Press and hold the door control push bar.
4. After the opener lights blink, release all buttons.



Changing the Personal Entry Password

Press the four buttons for the present password, then press and hold the # button.

The opener light will blink twice. Release the # button.

Press the new 4-digit password you have chosen, then press Enter.

The opener light will blink once when the password has been learned.

Test by pressing the new password, then press Enter. The door should move.

Setting a Temporary Password

In addition to the personal entry password which works at all times, a 4-digit temporary password can be added for the convenience of visitors or service persons. This allows authorized persons a way to gain temporary access. After a programmed number of hours or number of accesses, this temporary entry password expires and will no longer open the door. The temporary password can be used to *close* the door even after it has expired.

To set a temporary entry password:

1. Press the four buttons for your personal entry password (not the last temporary password), then press and hold the * button.

The opener light will blink three times. Release the button.

2. Press the temporary 4-digit entry password you have chosen, then press Enter.

The opener light will blink four times.

3. To set the number of **hours** this temporary password will work, press the number of hours (up to 255), then press *.

OR

3. To set the number of **times** this temporary password will work, press the number of times (up to 255), then press #.

The opener light will blink once when the temporary password has been learned.

Test by pressing the four buttons for the temporary password, then press Enter. The door should move. If the temporary password was set to a certain number of openings, remember that the test has used up one opening.

To clear the temporary password, repeat steps 1-3, setting the number of hours or times to 0 in Step 3.

Battery

The 9 volt battery should produce power for at least one year. Replace when keypad illumination becomes dim.

**FOR SERVICE DIAL OUR TOLL FREE NUMBER: 1-800-528-2817
IN CANADA, DIAL 1-800-654-4736**